

Instruction manual
Инструкция по эксплуатации

Espresso machine BR1100
Рожковая кофеварка BR1100



СОДЕРЖАНИЕ

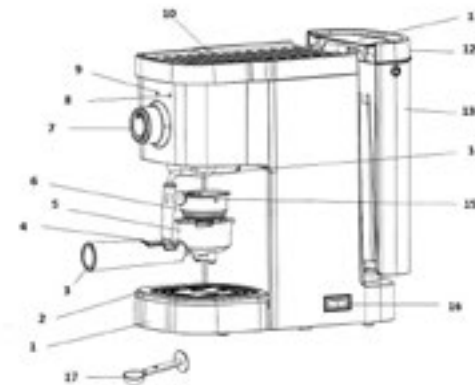
EN.....	3
DE.....	13
RU.....	25
KZ.....	37
BY.....	49

ESPRESSO MACHINE BR1100

The coffee maker is intended for making “espresso” and “cappuccino” coffee.

DESCRIPTION

1. Drip tray
2. Drip tray grid
3. Filter holder handle
4. Filter retainer
5. Filter holder
6. Coffee filter
7. Operation mode switch « ☕ , ☕ »
8. Ready indicator
9. Coffee maker on indicator
10. Cup warming tray
11. Water tank lid
12. Water tank handle
13. Water tank
14. Cappuccinator pipe
15. Cappuccinator tip
16. Power switch «0/I»
17. Measuring spoon with coffee tamper

**ATTENTION!**

For additional protection it is reasonable to install a residual current device (RCD) with nominal operation current not exceeding 30 mA, to install RCD, contact a specialist.

SAFETY MEASURES AND COFFEE MAKER OPERATION RECOMMENDATIONS

Read the operation instructions carefully before using the coffee maker and keep it for future reference.

- Use the coffee maker for its intended purpose only, as specified in this manual.
- Mishandling the coffee maker can lead to its breakage and cause harm to the user or damage to his/her property and it is not covered by warranty.
- The coffee maker is intended for making espresso and cappuccino coffee and warming up ready drinks. Do not warm any other liquids.
- Make sure that the operating voltage of the coffee maker indicated on the label corresponds to your home mains voltage.
- The power plug is equipped with a grounding contact, plug it into the socket with
- reliable grounding contact. In case of short circuit the grounding reduces the risk of electric shock.
- Contact an electrical technician, if you are not sure that your sockets are installed properly and grounded.
- To prevent fire do not use adapters designed for connecting the power plug to the mains socket without grounding contact.
- In case of sparking in the mains socket and occurrence of smell of burning, unplug the unit and

apply to the organization maintaining your home mains.

- If smoke appears from the unit body, unplug the unit and take measures to prevent fire spreading.
- Use and store the coffee maker at the temperature above 0 °C.
- Do not use the coffee maker outdoors.
- It is not recommended to use the unit during lightning storms.
- Protect the unit from impacts, falling, vibrations and other mechanical stress.
- Never leave the plugged-in coffee maker unattended.
- To avoid fire, electric shock or physical injuries, do not immerse the power plug, the power cord or the coffee maker body into water or any other liquids.
- Do not use the coffee maker in proximity to the kitchen sink, in bathrooms, near swimming pools or other containers filled with water.
- If the unit is dropped into water, unplug it immediately, and only then you can take the unit out of water.
- Do not use the coffee maker near heating appliances, heat sources or open flame.
- Do not use the unit in places where aerosols are used or sprayed, and in proximity to inflammable liquids.
- Place the coffee maker on a flat stable surface; do not place it on the edge of a table. Do not let the power cord hang from the edge of the table and

make sure it does not touch hot surfaces or sharp edges of furniture.

- Do not place the coffee maker on hot surfaces.
- Do not touch the power cord and the power plug with wet hands.
- Use only the coffee maker parts and accessories supplied with the unit.
- Before switching the coffee maker on, make sure that all removable parts are installed properly.
- Ensure that the water level in the water tank is not below the minimal mark.
- Do not switch the coffee maker on if the water tank is empty.
- To avoid getting burns by hot steam be careful when frothing milk or warming the ready drinks.
- The filter holder surface, the cappuccinator pipe and the cappuccinator tip can get rather hot. Be cautious and careful when in contact with hot surfaces.
- Do not remove the filter holder during coffee maker operation.
- Let the unit cool down completely before cleaning and removing the accessories.
- Unplug the coffee maker before cleaning or when you are not using it. When unplugging the coffee maker hold only the power cord plug and carefully remove it from the mains socket, do not pull the power cord — this can lead to damage of the power cord or the socket or cause short circuit.

- For children safety reasons do not leave polyethylene bags, used as a packaging, unattended.

ATTENTION!

Do not allow children to play with polyethylene bags or packaging film. **Danger of suffocation!**

- The coffee maker is not intended for usage by children.
- Do not leave children unattended to prevent using the unit as a toy.
- Do not allow children to touch the unit and the power cord during the coffee maker operation.
- Place the unit out of reach of children during the operation and cooling down.
- This unit is not intended for usage by physically or mentally disabled persons (including children) or by persons lacking experience or knowledge if they are not under supervision of a person who is responsible for their safety or if they are not instructed by this person on the usage of the unit.
- From time to time check the power cord and the power plug integrity.
- If the power cord is damaged, it should be replaced by the manufacturer, a maintenance service or similar qualified personnel to avoid danger.
- Do not repair the unit by yourself. Do not disassemble the unit by yourself, if any malfunction

is detected, and after it was dropped, unplug the unit and apply to the service center.

- Transport the coffee maker in the original package.
- Keep the unit out of reach of children and disabled persons.

COFFEE MAKER IS INTENDED FOR HOUSEHOLD USE ONLY, DO NOT USE THE COFFEE MAKER FOR COMMERCIAL OR LABORATORY PURPOSES.

BEFORE USING THE COFFEE MAKER

After unit transportation or storage at low temperature, it is necessary to keep it for at least three hours at room temperature.

- Unpack the coffee maker and remove all the packaging materials.
- Keep the original package.
- Check the delivery set.
- Read the safety measures and operating recommendations.
- Examine the coffee maker for damages, in case of damage do not plug it into the mains.
- Make sure that the specifications of power supply voltage specified on the lower panel of the unit correspond to the specifications of your mains. When the unit is used in the mains with 60 Hz frequency, it does not need any additional settings.
- Wipe the surface of the coffee maker body with a clean, slightly damp cloth to remove dust.

- Before using the coffee maker for the first time, wash all removable parts (5, 6, 13, 15, 17) with warm water and neutral detergent, rinse and dry them.
- Before switching the unit on, make sure that the mains voltage corresponds to the voltage specified on the unit body.
- Make sure that the power switch (16) is in position «0», and the operation mode switch knob (7) is in position «●».
- To remove the tank (13), take it by the handle (12) and remove the tank upwards, fill it with cold water up to the MAX mark and install it back to its place.
- Insert the coffee filter (6) into the holder (5), matching the ledge on the filter (6) with the slot on the holder (5) and turn the filter (6) clockwise/counterclockwise (do not fill the filter with ground coffee).
- Install the filter holder (5) into the coffee maker. The holder (5) ledges should match the grooves on the boiler «▼■», after that turn the filter holder (5) handle (3) to the right until bumping «▼■».
- Place a suitable cup on the grid (2).
- Insert the power plug into the mains socket.
- Switch the coffee maker on by setting the power switch (16) button to the position «I», the indicator (9) will light up.
- Wait until the boiler heats up, the indicator (8) will glow white.
- To fill the boiler with water, set the operation mode switch (7) knob to the position «☞», wait for 15-20

- seconds, or at the first signs of appearance of water in the cup, switch the water supply off by setting the operation mode switch knob (7) to the position «●».
- Set the operation mode switch knob (7) to the position «☞» again, after the cup is filled with water switch the water supply off by setting the operation mode switch knob (7) to the position «●», pour the water out of the cup. Depending on the cup capacity repeat this procedure several times until the boiler is clean.
- **Note:** at the first pumping of water into the boiler some foreign noise can appear, this is normal, the unit releases air from the boiler, approximately in 20 seconds foreign noise will stop.

ATTENTION!

Do not remove the filter holder (5) during coffee maker operation.

AUTO SWITCH OFF FUNCTION

- If no actions were performed during 25 minutes after switching on, the coffee maker will switch off automatically.


HOW TO MAKE A GOOD ESPRESSO

- Use ground coffee for espresso coffee makers.
- Slightly tamp the ground coffee in the filter (6), you can do it with the back side of the measuring spoon (17).

- Coffee strength depends on the quality and grinding degree of coffee beans. If coffee is pouring out too long, this means the coffee powder is too fine or it is tamped too strongly.

PREHEATING




- To make a cup of hot espresso, it is recommended to preliminary heat up the coffee filter (6) and the filter holder (5).
- To remove the tank (13), take it by the handle (12) and remove the tank (13) upwards, fill it with cold water up to the MAX mark and install it back to its place.
- Insert the coffee filter (6) into the holder (5), matching the ledge on the filter (6) with the slot on the holder (5) and turn the filter (6) clockwise/counterclockwise (do not fill the filter with ground coffee).
- Install the filter holder (5) into the coffee maker. The holder (5) ledges should match the grooves on the boiler «▼■», after that turn the filter holder (5) handle (3) to the right until bumping «▼■».
- Place a suitable cup on the grid (2).
- Insert the power plug into the mains socket.
- Switch the coffee maker on by setting the power switch (16) button to the position «I», the indicator (9) will light up.
- Wait until the boiler heats up, the indicator (8) will glow white.

- Set the operation mode switch knob (7) to the position «  », switch the water supply off in 20-30 seconds by setting the operation mode switch (7) to the position « ● ».
- Preheating is over.



MAKING ESPRESSO

ATTENTION!

When making coffee do not leave the operating coffee maker unattended, as it is necessary to watch the cup being filled with ready coffee!

- Make sure that the power switch (16) is in position «0», and the operation mode switch knob (7) is in position « ● ».
- To remove the filter holder (5) turn the handle (3) to the left «  » and remove the filter holder (5).
- Put ground coffee in the filter (6) using the measuring spoon (17), slightly tamp the coffee with the back side of the measuring spoon (17).
- Install the filter holder (5) into the coffee maker. The holder (5) ledges should match the grooves on the boiler «  », after that turn the filter holder (5) handle (3) to the right until bumping «  ».
- Place a cup on the grid (2).
- **Note:** the cups used need to be preheated; to do this, place the cups on the tray (10), while water is


heated in the boiler, the tray (10) heats up too, thus warming the cups placed on it.


- Insert the power plug into the mains socket.
- Switch the coffee maker on by setting the power switch (16) button to the position «I», the indicator (9) will light up.
- Wait until the boiler heats up, the indicator (8) will glow white.
- Switch the water supply on by setting the operation mode switch knob (7) to the position «  », watch the cup being filled with ready coffee.
- After the cup is filled with ready coffee, set the operation mode switch button (7) to the position « ● ».
- **Notes:**
 - after you set the operation mode knob (7) to the position « ● », the pressure is released, the remaining hot water fills the tray (1); you will hear a distinctive sound and see the steam released from the tray grid (2), be careful to avoid burns by the released hot steam.
 - control the tray (1) filling, periodically pour out the liquid and wash the tray (1).
- Switch the coffee maker off by setting the power switch (16) to the position «0», the indicator (9) will go out.
- Wait until the coffee maker cools down and remove the filter holder (5), to do this turn the handle (3) to the left «  ». Remove the ground coffee remnants and wash the filter (6).

MAKING CAPPUCCINO

ATTENTION!

Be careful to avoid burns by the released hot steam.

- Make coffee, as described in the chapter «MAKING ESPRESSO», in the cup
- with enough capacity to add frothed milk.
- Set the operation mode switch knob (7) to the position « ● », wait until the indicator (8) lights up white.
- Put the tip (15) into the cup with cold milk or cream.
- Set the operation mode switch knob (7) to the position «  ». The tip (15) should not touch the bottom of the cup, as this can prevent the steam release.
- **Note:** to avoid splashing milk always immerse the tip (15)
- deeper than 1 cm from the milk surface.
- The outgoing steam creates whirls which froths milk; from time to time lift and lower the bowl with milk or cream against the tip (15) to make the milk foam.
- Making the milk foam is an art. You may not make it at the first try,
- don't worry and experiment until you achieve good results.
- When frothing milk you can remove the tip (15) and try to froth milk directly with the steam releasing from the cappuccinator pipe (14).

- Switch the steam supply off by setting the operating mode switch knob (7) to the position « ● ».
- Add frothed milk to the ready espresso, and the cappuccino is ready. Add sugar to your taste, you can decorate frothed milk with cocoa powder.
- Switch the coffee maker off by setting the power switch (16) to the position «0», the indicator (9) will go out.
- **Important:**
 - Milk for making foam must be fresh and without additives. Use regular whole milk with fat content from 4% to 6%, the cream fat content should be not less than 10%.
 - When choosing size of the cup for milk or cream remember that foam volume doubles, make sure that height of the cup is enough.
 - Clean the cappuccinator pipe (14) and its tip (15) right after milk or cream frothing — to do this, put the cappuccinator pipe (14) with the tip (15) into a glass of water, switch the steam supply on for 10-15 seconds by setting the operation mode switch knob (7) to the position «  », and after that set the operation mode switch knob (7) to the position « ● » and switch the coffee maker off.
 - Wait until the coffee maker cools down and remove the tip (15) from the cappuccinator pipe (14), wipe the cappuccinator pipe (14) with a soft damp cloth and wash the tip (15) under a water jet.

- **Note:** repeated making of coffee should be performed after at least 5 min interval.

WARMING THE DRINKS

- You can warm up your drinks by putting the cappuccinator pipe (14) without the tip (15) into the cup with the drink.
- Set the operation mode switch knob (7) to the position « ● », wait until the indicator (8) lights up white.
- Put the cappuccinator pipe (14) without the tip (15) into the cup with the drink you want to warm up. Set the operation mode switch knob (7) to the position « ☞ ».
- After warming up the drink set the operation mode switch button (7) to the position « ● ».
- Switch the coffee maker off by setting the power switch (16) to the position «0», the indicator (9) will go out.

REMOVING MINERAL SCALE

- The indicators (8, 9) flashing by rotation mean that 150 cycles of coffee making or milk frothing have passed, and it is necessary to clean the coffee maker from mineral scale.
- Remove the water tank (13) and fill it with water and descaling agent up to the maximal level. You can use «homemade descaling agent» — citric acid solution in proportion 100 portions of water per 3 portions of citric acid.

- Install the filter (6) in the filter holder (5), do not put ground coffee in the filter (6). Install the filter holder (5) into the coffee maker. The holder (5) ledges should match the grooves on the boiler, after that turn the filter holder (5) handle (3) to the right until bumping « ▼🔒 ». Place a suitable cup on the grid (2).
- Set the operation mode switch knob (7) to the position « ☞ », the pump will be switched on and operate for 90 seconds. After that set the operation mode switch knob (7) to the position « ● », leave the descaling agent in the coffee maker for at least 5-10 minutes.
- Make sure that there is descaling agent in the water tank (13).
- Place a suitable cup under the cappuccinator tip (15), set the operation mode switch knob (7) to the position « ☞ », the pump will be switched on and operate for 90 seconds. After that set the operation mode switch knob (7) to the position « ● ».
- Then wash the coffee maker. To do this, fill the water tank (13) with tap water and repeat the steps 3, 5 twice without 5-10 minutes break.
- After you finish cleaning the coffee maker, the indicators (8, 9) will stop flashing. The cleaning is finished.
- If you don't want to clean the coffee maker right now and you are going to clean it as soon as possible, quickly turn the operation mode switch knob (7) to the position « ☞ », then to the position « ● », to the

position « ☞ » and again to the position « ● ». If you do this within 3 seconds, the cleaning notification (the indicators (8, 9) flashing) will be cancelled.

- Clean the coffee maker as soon as possible, do not delay cleaning for later.
- **Note:** to remove the scale you can use special descaling agents for coffee makers and coffee machines, strictly following the instructions on their usage.

CLEANING THE COFFEE MAKER

- If there is ground coffee scale remainin in the filter (6) openings, clean the filter (6) with a small brush.
- Wipe the coffee maker body with a soft, slightly damp cloth and then wipe the coffee maker body dry. Do not use abrasives and solvents to clean the coffee maker body.
- Do not immerse the coffee maker body, the power cord and the power plug into water or any other liquids.
- Wash the removable parts of the coffee maker with warm water and neutral detergent, then rinse them and dry.

DRIP TRAY (1)

- Remove the grid (2) from the tray (1), remove the tray (1) and pour out water, wash the tray (1) and put it back to its place, put the grid (2) on the tray (1).

STORAGE

- Before taking the coffee maker away for long storage, unplug it and let the unit cool down.
- Clean the coffee maker.
- Pack the coffee maker in the original package.
- Use and store the coffee maker at the temperature above 0 °C.
- Keep the coffee maker in a dry cool place out of reach of children and disabled persons.

TROUBLESHOOTING

Problem	Cause	Solution
Water leaks from the bottom of the coffee maker	The tray is full of water. The coffee maker is damaged.	Please, clean the tray. Please, apply to the service center for repairing the coffee maker.
Water leaks from the filter holder.	There is ground coffee on the filter.	Clean the filter edges from ground coffee.
Ready coffee has unpleasant taste.	The coffee maker was not washed after descaling.	Clean the coffee maker from mineral scale and wash it from the remaining descaling agent.
	Ground coffee was stored in a humid place for a long time.	Please, use fresh ground coffee. Keep unused ground coffee in a hermetic package in a dry cool place.

The unit cannot be switched on	No voltage in the mains socket.	Make sure that the mains socket is properly operating.
	The power plug is not completely inserted into the socket.	Check whether the power plug is completely inserted into the socket.
Steam doesn't froth milk	The ready indicator doesn't glow white.	You can use steam to froth milk only after the indicator starts glowing white.
	The used cup does not suit for proper milk frothing.	Use a tall and narrow cup.
	You used skimmed milk.	Use only whole milk with fat content 4-6%.

DELIVERY SET

1. Coffee maker — 1 pc.
2. Measuring spoon — 1 pc.
3. Manual — 1 pc.

TECHNICAL SPECIFICATIONS

- Power supply 220-240 V, ~ 50-60 Hz
- Rated input power: 1250-1450 W
- Water tank capacity: 1,25 l

RECYCLING



For environment protection apply to the specialized centers for further recycling after the service life expiration of the unit.

The waste generated during the disposal of the unit is subject to mandatory collection and consequent disposal in the prescribed manner.

For further information about recycling of this product apply to a local municipal administration, a disposal service or to the shop where you purchased this product.

The manufacturer reserves the right to change the design, structure and specifications not affecting general principles of the unit operation, without prior notice.

The unit operating life is 3 years

The manufacturing date is specified in the serial number.

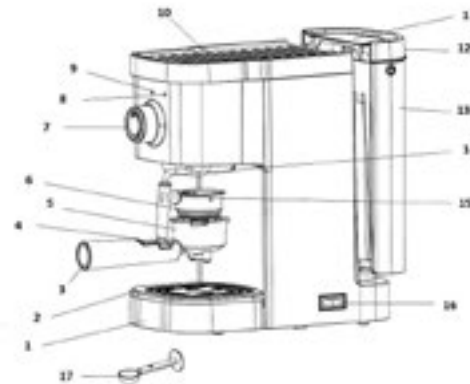
In case of any malfunctions promptly apply to the authorized service center.

ESPRESSOKAFFEEMASCHINE BR1100

Die Kaffeemaschine ist für die Zubereitung von Espresso und Cappuccino bestimmt.

BESCHREIBUNG

1. Tropfschale
2. Gitter der Tropfschale
3. Griff des Filterhalters
4. Filterfesthalter
5. Filterhalter
6. Kaffeefilter
7. Betriebsschalter « ☕ , ☞ »
8. Betriebsbereitschaftsanzeige
9. Kaffeemaschine-Betriebskontrolleuchte
10. Tassenaufheizplatte
11. Deckel des Wasserbehälters
12. Griff des Wasserbehälters
13. Wasserbehälter
14. Cappuccinatore-Rohr
15. Cappuccinatore-Endstück
16. Netzschalter « 0/1 »
17. Messlöffel mit Kaffeepresse



ACHTUNG!

Als zusätzlicher Schutz ist es zweckmäßig, den FI-Schalter mit Nennstrom maximal bis 30 mA im Stromversorgungskreis aufzustellen; wenden Sie sich dafür an einen Spezialisten.

SICHERHEITSHINWEISE UND BEDIENUNGSANLEITUNG FÜR DIE KAFFEEMASCHINE

Bevor Sie die Kaffeemaschine benutzen, lesen Sie die Bedienungsanleitung aufmerksam durch und bewahren Sie sie zum späteren Gebrauch auf.

- Benutzen Sie die Kaffeemaschine nur bestimmungsmäßig und laut dieser Bedienungsanleitung.
- Der Missbrauch der Kaffeemaschine kann zu ihrer Störung führen, den Benutzer oder sein Eigentum beschädigen und ist kein Garantiefall.
- Die Kaffeemaschine ist zum Zubereiten von Espresso und Cappuccino, zum Aufheizen von Fertiggetränken und zu keinem Erhitzen anderer Flüssigkeiten bestimmt.
- Vergewissern Sie sich, dass die auf dem Bezeichnungszettel angegebene Betriebsspannung der Kaffeemaschine und die Netzspannung übereinstimmen.
- Der Netzstecker hat einen Erdungskontakt; stecken Sie ihn nur in eine Steckdose
- mit dem zuverlässigen Erdungskontakt. Bei einem Kurzschluss verringert die Erdung das Stromschlagrisiko.
- Wenden Sie sich an einen Elektriker, wenn Sie sich nicht sicher sind, ob Ihre Steckdosen richtig installiert und geerdet sind.
- Verwenden Sie keine Adapterstecker, die zum Anschließen des Netzsteckers an eine Steckdose ohne Erdungskontakt bestimmt sind, um das Brandrisiko

zu vermeiden.

- Bei Brandgeruch und Funken in der Steckdose ziehen Sie den Netzstecker aus der Steckdose heraus und wenden Sie sich an den Ihr Hausstromnetz leistenden Dienst.
- Wenn Rauch aus dem Gerätegehäuse austritt, ziehen Sie das Netzkabel aus der Steckdose heraus und treffen Sie die Feuerverhinderungsmaßnahmen.
- Benutzen und lagern Sie die Kaffeemaschine bei einer Temperatur über 0°C.
- Es ist nicht gestattet, die Kaffeemaschine draußen zu benutzen.
- Es ist nicht empfohlen, das Gerät bei Gewitter zu benutzen.
- Schützen Sie das Gerät vor Stößen, Stürzen, Vibrationen und anderen mechanischen Einwirkungen.
- Lassen Sie die ans Stromnetz angeschlossene Kaffeemaschine nie unbeaufsichtigt.
- Um Brand, Stromschlag oder Verletzungen zu vermeiden, tauchen Sie den Netzstecker, das Netzkabel oder das Gehäuse der Kaffeemaschine ins Wasser oder jegliche andere Flüssigkeiten nicht ein.
- Benutzen Sie die Kaffeemaschine in der Nähe von Spülbecken, in Badezimmern und neben den Wasserbecken oder anderen mit Wasser gefüllten Behältern nicht.
- Falls das Gerät ins Wasser gefallen ist, ziehen Sie den Netzstecker aus der Steckdose sofort heraus, erst danach holen Sie das Gerät aus dem Wasser heraus.

- Benutzen Sie die Kaffeemaschine in direkter Nähe von Heizgeräten, Wärmequellen oder offenem Feuer nicht.
- Es ist verboten, das Gerät an den Orten, wo Sprays verwendet werden, sowie in der Nähe von leichtentzündbaren Flüssigkeiten, zu benutzen.
- Stellen Sie die Kaffeemaschine auf eine ebene standfeste Oberfläche auf, stellen Sie sie an den Tischrand nicht auf. Achten Sie darauf, dass das Netzkabel vom Tisch nicht herabhängt und heiße Oberflächen und scharfe Möbelkanten nicht berührt.
- Es ist nicht gestattet, die Kaffeemaschine auf heiße Oberflächen zu stellen.
- Berühren Sie das Netzkabel und den Netzstecker mit nassen Händen nicht.
- Benutzen Sie nur die mitgelieferten Kaffeemaschinenteile und -zubehör.
- Vergewissern Sie sich vor der Einschaltung der Kaffeemaschine, dass alle abnehmbaren Teile korrekt aufgestellt sind.
- Achten Sie darauf, dass der Wasserstand im Behälter nicht unter der Minimalmarke liegt.
- Schalten Sie die Kaffeemaschine ohne Wasser nicht ein.
- Seien Sie beim Zubereiten von Milchschaum oder beim Erhitzen von Fertiggetränken vorsichtig, um Verbrühung durch heißen Dampf zu vermeiden.
- Die Oberfläche des Filterhalters, des Cappuccinato-

re-Rohres und des Cappuccinato- Aufsatzes kann ziemlich heiß sein. • Seien Sie beim Kontakt mit heißen Oberflächen vorsichtig und sorgfältig.

- Es ist nicht gestattet, den Filterhalter während des Betriebs der Kaffeemaschine abzunehmen.
- Lassen Sie das Gerät vollständig abkühlen, bevor Sie das Zubehör entfernen und reinigen.
- Trennen Sie die Kaffeemaschine vor der Reinigung oder wenn Sie sie nicht benutzen vom Stromnetz ab. Wenn Sie die Kaffeemaschine vom Stromnetz abtrennen, halten Sie nur den Netzstecker fest und ziehen Sie ihn aus der Steckdose vorsichtig heraus; ziehen Sie das Netzkabel nicht, da es zu seiner Beschädigung und Steckdosenstörung sowie einem Kurzschluss führen kann.
- Aus Kindersicherheitsgründen lassen Sie Plastiktüten, die als Verpackung verwendet werden, nie ohne Aufsicht.

ACHTUNG!

Lassen Sie Kinder mit Plastiktüten oder Verpackungsfolien nicht spielen. **Erstickungsgefahr!**

- Die Kaffeemaschine ist nicht für Kinder bestimmt.
 - Beaufsichtigen Sie Kinder, damit sie das Gerät als Spielzeug nicht benutzen.

- Lassen Sie Kinder das Gerät und das Netzkabel während des Kaffeemaschinenbetriebs nicht berühren.
- Während des Betriebs und des Abkühlens stellen Sie das Gerät an einen für Kinder unzugänglichen Ort auf.
- Dieses Gerät ist für Personen (darunter Kinder) mit Körper-, Nerven- und Geistesstörungen oder Personen ohne ausreichende Erfahrung und Kenntnisse nicht geeignet, wenn sie sich unter Aufsicht der Person, die für ihre Sicherheit verantwortlich ist, nicht befinden oder entsprechende Anweisungen über die Nutzung des Geräts nicht bekommen haben.
- Überprüfen Sie regelmäßig den Zustand des Netzkabels und des Netzsteckers.
- Wenn das Netzkabel beschädigt ist, soll es vom Hersteller, vom Kundendienst oder von ähnlich qualifiziertem Personal ersetzt werden, um Gefahren zu vermeiden.
- Es ist nicht gestattet, das Gerät selbständig zu reparieren. Es ist nicht gestattet, das Gerät selbständig auseinanderzunehmen; bei der Feststellung jeglicher Beschädigungen, sowie im Sturzfall, trennen Sie das Gerät vom Stromnetz ab und wenden Sie sich an einen Kundendienst.
- Transportieren Sie die Kaffeemaschine nur in der Fabrikverpackung.
- Bewahren Sie das Gerät an einem für Kinder und behinderte Personen unzugänglichen Ort auf.

DIE KAFFEEMASCHINE IST NUR FÜR DEN GEBRAUCH IM HAUSHALT GEEIGNET, ES IST VERBOTEN, SIE ZU INDUSTRIE- ODER LABORZWECKEN ZU BENUTZEN.

VORBEREITUNG DER KAFFEEMASCHINE ZUR INBETRIEBNAHME

Nachdem Sie das Gerät bei niedriger Temperatur transportiert oder gelagert haben, müssen Sie es mindestens drei Stunden bei Raumtemperatur aufbewahren.

- Packen Sie die Kaffeemaschine aus und entfernen Sie alle Verpackungsmaterialien.
- Bewahren Sie die Originalverpackung auf.
- Prüfen Sie die Komplettheit.
- Lesen Sie die Sicherheitsmaßnahmen und Bedienungsempfehlungen.
- Prüfen Sie die Kaffeemaschine auf Beschädigungen; wenn sie beschädigt ist, schließen Sie sie ans Stromnetz nicht an.
- Vergewissern Sie sich, dass die Stromversorgungsparameter auf der Geräteunterplatte und die Netzstromparameter übereinstimmen. Beim 60-Hz-Stromnetz-Gerätebetrieb sind keine zusätzlichen Maßnahmen erforderlich.
- Wischen Sie das Kaffeemaschinengehäuse mit einem sauberen, leicht angefeuchteten Tuch zur Staubentfernung ab.

- Vor dem ersten Gebrauch der Kaffeemaschine waschen Sie alle abnehmbaren Teile (5, 6, 13, 15, 17) mit Warmwasser und einem neutralen Reinigungsmittel, spülen und trocknen Sie sie ab.
- Vergewissern Sie sich vor dem Einschalten, dass die Netzspannung und die am Gerätegehäuse angegebene Spannung übereinstimmen.
- Vergewissern Sie sich, dass sich der Netzschalter (16) in der Position „0“ und der Betriebsschalter (7) in der Position « ● » befindet.
- Entfernen Sie den Behälter (13), fassen Sie dazu den Griff (12) und nehmen Sie den Behälter nach oben ab, füllen Sie ihn mit Kaltwasser bis zum MAX-Zeichen und stellen Sie ihn zurück auf.
- Setzen Sie den Kaffeefilter (6) in den Halter (5) ein, indem Sie den Vorsprung am Filter (6) und den Schlitz im Halter (5) zusammenfallen lassen, und drehen Sie das Filter (6) im/ entgegen dem Uhrzeigersinn (füllen Sie das Filter mit gemahlenem Kaffee nicht).
- Setzen Sie den Filterhalter (5) in die Kaffeemaschine ein. Die Vorsprünge des Halters (5) und die Aussparungen am Boiler « ▼■ » sollen zusammenfallen, danach drehen Sie den Griff (3) des Filterhalters (5) nach rechts bis zum Anschlag « ▼■ ».
- Stellen Sie eine passende Tasse aufs Gitter (2).
- Stecken Sie den Netzstecker in die Steckdose ein.
- Schalten Sie die Kaffeemaschine ein, indem Sie den Netzschalter (16) in die Position « I » umstellen, dabei leuchtet die Kontrolleuchte (9).

- Warten Sie ab, bis der Boiler aufheizt, die Anzeige (8) leuchtet weiß.
- Um den Boiler mit Wasser aufzufüllen, stellen Sie den Betriebsschalter (7) in die Position « ☰ » um, nach 15 bis 20 Sekunden oder wenn sich Wasser in der Tasse zeigt, stellen Sie die Wasserzufuhr ab, indem Sie den Betriebsschalter (7) auf « ● » umstellen.
- Stellen Sie den Betriebsschalter (7) in die Position « ☰ » wieder um, nachdem Sie die Tasse mit Wasser gefüllt haben, schalten Sie die Wasserzufuhr aus, indem Sie den Betriebsschalter (7) auf « ● » umstellen, und gießen Sie das Wasser aus der Tasse ab. Führen Sie diesen Vorgang je nach dem Fassenvolumen mehrmals durch, danach wird der Boiler durchgespült.
- **Anmerkung:** wenn Wasser zum ersten Mal in den Boiler eingepumpt wird, kann ein Nebengeräusch entstehen, das ist normal, das Gerät gibt Luft aus dem Boiler ab, nach ca. 20 Sekunden hört das Nebengeräusch auf.

ACHTUNG!

Es ist nicht gestattet, den Filterhalter (5) während des Kaffeemaschinenbetriebs abzunehmen.

FUNKTION DER AUTOMATISCHEN AUS-SCHALTUNG

- Wenn die Kaffeemaschine nach dem Einschalten innerhalb von 25 Minuten nicht betätigt wird, schaltet sie sich automatisch aus.

HINWEISE FÜR EINEN LECKEREN ESPRESSOKAFFEE

- Benutzen Sie den gemahlene und für Espresso-Kaffeemaschinen geeigneten Kaffee.
- Stampfen Sie den gemahlene Kaffee im Filter (6) leicht an, benutzen Sie dazu die Rückseite des Messlöffels (17).
- Die Stärke des gekochten Kaffee hängt von der Qualität und dem Mahlgrad von Kaffeebohnen ab. Wenn der Kaffee zu lange eingegossen wird, bedeutet das, dass der Kaffee sehr fein gemahlen oder zu stark gestampft ist.

VORAUFWÄRMUNG

- Um eine Tasse heißen Espresso zuzubereiten, ist es empfohlen, den Kaffeefilter (6) und den Filterhalter (5) voraufzuwärmen.
- Entfernen Sie den Behälter (13), fassen Sie dazu den Griff (12) und nehmen Sie den Behälter (13) nach oben ab, füllen Sie ihn mit Kaltwasser bis zum MAX-Zeichen und stellen Sie ihn zurück auf.
- Setzen Sie den Kaffeefilter (6) in den Halter (5)

ein, indem Sie den Vorsprung am Filter (6) und den Schlitz im Halter (5) zusammenfallen lassen, und drehen Sie das Filter (6) im/ entgegen dem Uhrzeigersinn (füllen Sie das Filter mit gemahlene Kaffee nicht).

- Setzen Sie den Filterhalter (5) in die Kaffeemaschine ein. Die Vorsprünge des Halters (5) und die Aussparungen am Boiler « ▼☑ » sollen zusammenfallen, danach drehen Sie den Griff (3) des Filterhalters (5) nach rechts bis zum Anschlag « ▼☑ ».
- Stellen Sie eine passende Tasse aufs Gitter (2).
- Stecken Sie den Netzstecker in die Steckdose ein.
- Schalten Sie die Kaffeemaschine ein, indem Sie den Netzschalter (16) in die Position «I» umstellen, dabei leuchtet die Kontrolleuchte (9).
- Warten Sie ab, bis der Boiler aufheizt, die Anzeige (8) leuchtet weiß.
- Stellen Sie den Betriebsschalter (7) in die Position « ☕ » um, schalten Sie die Wasserzufuhr nach 20-30 Sekunden aus, indem Sie den Betriebsschalter (7) in die Position « ● » umstellen.
- Die Voraufwärmung ist beendet.

ESPRESSOZUBEREITUNG

ACHTUNG!

Lassen Sie die Kaffeemaschine bei der Kaffe Zubereitung nicht unbeaufsichtigt, da die Tassenfüllung mit Kaffee überwacht werden muss!

- Vergewissern Sie sich, dass sich der Netzschalter (16) in der Position „0“ und der Betriebsschalter (7) in der Position « ● » befindet.
- Um den Filterhalter (5) abzunehmen, drehen Sie den Griff (3) nach links « ▼☑ » und nehmen Sie den Filterhalter (5) ab.
- Schütten Sie den gemahlene Kaffee ins Filter (6) mit dem Messlöffel (17) ein und stampfen Sie den Kaffee mit der Rückseite des Messlöffels (17) leicht an.
- Setzen Sie den Filterhalter (5) in die Kaffeemaschine ein. Die Vorsprünge des Halters (5) und die Aussparungen am Boiler « ▼☑ » sollen zusammenfallen, danach drehen Sie den Griff (3) des Filterhalters (5) nach rechts bis zum Anschlag « ▼☑ ».
- Stellen Sie eine Tasse aufs Gitter (2) auf.
- **Anmerkung:** die benutzten Tassen sollen vorgewärmt werden, stellen Sie dafür die Tassen auf die Aufheizplatte (10), während der Wasseraufwärmung im Boiler erwärmt sich auch die Aufheizplatte (10) zusammen mit darauf gestellten Tassen.
- Stecken Sie den Netzstecker in die Steckdose ein.
- Schalten Sie die Kaffeemaschine ein, indem Sie den Netzschalter (16) in die Position «I» umstellen, dabei leuchtet die Kontrolleuchte (9).
- Warten Sie ab, bis der Boiler aufheizt, die Anzeige (8) leuchtet weiß.
- Schalten Sie die Wasserzufuhr ein, indem Sie den Betriebsschalter (7) auf « ☕ » umstellen, achten Sie auf die Tassenfüllung mit dem zubereiteten Kaffee.

- Nachdem die Tasse mit dem zubereiteten Kaffee gefüllt wird, stellen Sie den Betriebsschalter (7) in die Position « ● » um.
- **Anmerkungen:**
 - nachdem der Betriebsschalter (7) auf « ● » gestellt wurde, wird der Druck abgelassen, die Heißwasserreste werden in die Tropfschale (1) zugeführt, dabei hören Sie ein kennzeichnendes Geräusch und sehen Sie den Dampfaustritt aus dem Gitter der Tropfschale (2), hüten Sie sich vor Verbrühungen durch den heißen Dampf.
 - achten Sie auf die Füllung der Tropfschale (1), gießen Sie Wasser regelmäßig ab und spülen Sie die Tropfschale (1) durch.
- Schalten Sie die Kaffeemaschine aus, indem Sie den Netzschalter (16) auf „0“ stellen, die Kontrolleuchte (9) erlischt.
- Warten Sie ab, bis die Kaffeemaschine abkühlt, und entfernen Sie den Filterhalter (5), drehen Sie dazu den Griff (3) nach links « ▼☑ ». Entfernen Sie den restlichen gemahlene Kaffee und spülen Sie das Filter (6) durch.

CAPUCCINOZUBEREITUNG

ACHTUNG!

Hüten Sie sich vor Verbrühungen durch den heißen Austrittsdampf.

- Machen Sie Kaffee, wie es im Abschnitt „ESPRESSOZUBEREITUNG“ beschrieben ist, in einer Tasse,
- deren Fassungsvermögen lässt, den Milchschaum zuzugeben.
- Stellen Sie den Betriebsschalter (7) auf « ● » und warten Sie ab, bis die Anzeige (8) weiß leuchtet.
- Tauchen Sie das Endstück (15) in einen Behälter mit kalter Milch oder Sahne ein.
- Stellen Sie den Betriebsschalter (7) in die Position « ☞ » ein. Das Endstück (15) darf den Behältersboden nicht berühren, da sonst der Dampfaustritt schwierig wird.
- **Anmerkung:** um Milchspritzer zu vermeiden, tauchen Sie das Endstück (15) immer
- mehr als 1 cm unter die Milchoberfläche ein.
- Der Austrittsdampf erzeugt Milchschaum schaffende Wirbel, lassen Sie den Behälter mit Milch oder Sahne relativ zum Endstück (15) periodisch herunter und herauf, bis sich Milchschaum bildet.
- Die Milchschaumschaffung ist eine Kunst. Wenn Schaum zum ersten Mal nicht geschafft wird,
- verzweifeln Sie nicht und experimentieren Sie, bis das Ergebnis erreicht wird.
- Wenn Sie Milchschaum schlagen, können Sie das Endstück (15) entfernen und versuchen, Milchschaum direkt mit aus dem Cappuccinatore-Rohr (14) austretendem Dampf zu schlagen.
- Schalten Sie die Dampfzufuhr aus, indem Sie den Betriebsschalter (7) in die Position « ● » einstellen.

- Geben Sie Milchschaum in den zubereiteten Espresso zu, der Cappuccino ist fertig. Fügen Sie Zucker nach Ihrem Geschmack hinzu, Sie können Milchschaum mit Kakaopulver verzieren.
- Schalten Sie die Kaffeemaschine aus, indem Sie den Netzschalter (16) auf „0“ stellen, die Kontrollleuchte (9) erlischt.
- **Wichtig:**
 - Die zur Schaumschaffung benutzte Milch soll frisch und konservierungsstofffrei sein. Benutzen Sie normale Vollmilch mit einem Fettgehalt von 4 bis 6%, das Sahnenfett soll mindestens 10% betragen.
 - Beachten Sie beim Wählen der Größe des Behälters für Milch oder Sahne, dass sich das Schaumvolumen um das 2-fache erhöht, stellen Sie sicher, dass die Höhe des Behälters ausreichend ist.
 - Sofort nach dem Milch- oder Sahnenaufschlagen reinigen Sie das Cappuccinatore-Rohr (14) und das Endstück (15) — tauchen Sie dafür das Cappuccinatore-Rohr (14) und das Endstück (15) in einen Becher mit Wasser ein, schalten Sie die Dampfzufuhr für 10-15 Sekunden ein, indem Sie den Betriebsschalter (7) in die Position « ☞ » einstellen, danach stellen Sie den Betriebsschalter (7) in die Position « ● » um und schalten Sie die Kaffeemaschine aus.
 - Warten Sie ab, bis die Kaffeemaschine abkühlt, und nehmen Sie das Endstück (15) vom Cappuc-

cinatore-Rohr (14) ab, wischen Sie das Cappuccinatore-Rohr (14) von außen mit einem feuchten, weichen Tuch ab und spülen Sie das Endstück (15) selbst unter dem Wasserstrahl durch.

- **Anmerkung:** es ist empfohlen, den Kaffee nach mindestens 5-Minuten-Pause neu zuzubereiten.

ERWÄRMUNG VON GETRÄNKEN

- Sie können die Fertiggetränke erwärmen, indem Sie das Cappuccinatore-Rohr (14) ohne das Endstück (15) in eine Tasse mit dem Getränk eintauchen.
- Stellen Sie den Betriebsschalter (7) auf « ● » und warten Sie ab, bis die Anzeige (8) weiß leuchtet.
- Tauchen Sie das Cappuccinatore-Rohr (14) ohne das Endstück (15) in eine Tasse mit dem aufzuwärmenden Getränk. Stellen Sie den Betriebsschalter (7) in die Position « ☞ » ein.
- Nach dem Aufwärmen des Getränks stellen den Betriebsschalter (7) auf « ● » um.
- Schalten Sie die Kaffeemaschine aus, indem Sie den Netzschalter (16) auf „0“ stellen, die Kontrollleuchte (9) erlischt.

REINIGUNG VON MINERALABLAGERUNGEN

- Das abwechselnde Blinken der Anzeige und der Kontrollleuchte (8, 9) bedeutet, dass 150 Zyklen der Kaffee- oder Milchschaumzubereitung verstrichen sind und die Kaffeemaschine von Mineralablagerungen gereinigt werden muss.

- Nehmen Sie den Behälter (13) ab und füllen Sie ihn mit Wasser und einem Mittel zur Entfernung von Mineralablagerungen bis zum Maximalfüllstand an. Sie können ein «hausgemachtes Entkalkungsmittel» verwenden — eine Lösung von Zitronensäure in einem Verhältnis von einhundert Teilen Wasser zu drei Teilen Zitronensäure.
- Setzen Sie das Filter (6) in den Filterhalter (5) ein, füllen Sie das Filter (6) mit gemahlenem Kaffee nicht an. Setzen Sie den Filterhalter (5) in die Kaffeemaschine ein. Die Vorsprünge des Halters (5) und die Aussparungen am Boiler sollen zusammenfallen, danach drehen Sie den Griff (3) des Filterhalters (5) nach rechts bis zum Anschlag « ▼■ ». Stellen Sie eine passende Tasse aufs Gitter (2).
- Drehen Sie den Betriebsschalter (7) in die Position « ☞ » um, die Pumpe schaltet sich ein und läuft 90 Sekunden lang, stellen Sie dann den Betriebsschalter (7) auf « ● » und lassen Sie das Entkalkungsmittel mindestens 5-10 Minuten lang in der Kaffeemaschine wirken.
- Vergewissern Sie sich, dass das Entkalkungsmittel im Behälter (13) verbleibt.
- Stellen Sie eine geeignete Tasse unter das Cappuccinatore-Aufsatz (15) auf, stellen Sie den Betriebsschalter (7) in die Position « ☞ » um, die Pumpe schaltet sich ein und läuft 90 Sekunden lang, stellen Sie dann den Betriebsschalter (7) auf « ● » um.

- Danach spülen Sie die Kaffeemaschine aus, füllen Sie dazu den Behälter (13) mit Leitungswasser an, wiederholen Sie Punkte 3 und 5 zweimal ohne 5-10-Minuten-Pause.
- Nach der Reinigung der Kaffeemaschine hören die Anzeige und die Kontrolleuchte (8, 9) auf zu blinken, die Reinigung der Kaffeemaschine ist beendet.
- Wenn Sie die Kaffeemaschine zurzeit und in naher Zukunft nicht reinigen möchten, drehen Sie den Betriebsschalter (7) in die Position « ☐ », dann in die Position « ● », dann in die Position « ☺ » und erneut in die Position « ● » schnell um, wenn diese Handlungen innerhalb von 3 Sekunden ausgeführt werden, wird die Warnung zur Reinigung (blinkende Anzeige und Kontrolleuchte (8, 9)) gelöscht.
- Reinigen Sie die Kaffeemaschine baldigst und schieben Sie die Reinigung der Kaffeemaschine auf keine spätere Zeit auf.
- **Anmerkung:** Zur Entkalkung können Sie unter Beachtung der Bedienungsanleitungen spezielle Entkalkungsmittel für Kaffeekocher und -maschinen verwenden.

REINIGUNG DER KAFFEEMASCHINE

- Bei Kaffeemehlreste in den Öffnungen des Filters (6) reinigen Sie das Filter (6) mit einer kleinen Bürste.
- Wischen Sie das Kaffeemaschinengehäuse mit einem weichen, leicht angefeuchteten Tuch, danach trocknen Sie es ab. Es ist nicht gestattet, Abrasiv-

und Lösungsmittel für die Reinigung der Kaffeemaschine zu benutzen.

- Es ist nicht gestattet, das Kaffeemaschinengehäuse, das Netzkabel und den Netzstecker ins Wasser oder jegliche andere Flüssigkeiten einzutauchen.
- Waschen Sie die abnehmbaren Teile der Kaffeemaschine mit Warmwasser und einem neutralen Reinigungsmittel, spülen und trocknen Sie sie ab.

TROPFSCHALE (1)

- Nehmen Sie das Gitter (2) von der Tropfschale (1) ab, nehmen Sie die Tropfschale (1) ab und gießen Sie Wasser daraus ab, waschen Sie die Tropfschale (1) und stellen Sie sie zurück auf, stellen Sie das Gitter (2) auf die Tropfschale (1) auf.

AUFBEWAHRUNG

- Bevor Sie die Kaffeemaschine zur langen Aufbewahrung wegnehmen, trennen Sie sie vom Stromnetz ab und lassen Sie das Gerät abkühlen.
- Reinigen Sie die Kaffeemaschine.
- Packen Sie die Kaffeemaschine in die Fabrikverpackung ein.
- Benutzen und lagern Sie die Kaffeemaschine bei einer Temperatur über 0°C.
- Bewahren Sie die Kaffeemaschine an einem trockenen, kühlen und für Kinder und behinderte Personen unzugänglichen Ort auf.

STÖRUNGEN, IHRE URSACHEN UND BESEITIGUNG

Störung	Ursache	Beseitigung
Wasser fließt aus dem Boden der Kaffeemaschine.	Viel Wasser in der Tropfschale.	Bitte reinigen Sie die Tropfschale.
	Die Kaffeemaschine ist defekt.	Bitte wenden Sie sich an einen Kundendienst zum Reparieren der Kaffeemaschine.
Wasser fließt aus dem Filterhalter.	Kaffeepulver auf dem Filter.	Reinigen Sie die Filterränder von Kaffeepulver.
Die Kaffeemaschine wurde nach der Reinigung von Mineralablagerungen nicht durchgespült.	Die Kaffeemaschine wurde nach der Reinigung von Mineralablagerungen nicht durchgespült.	Reinigen Sie die Kaffeemaschine von Mineralablagerungen und spülen Sie alle Reinigungsmittelreste ab.
	Gemahlener Kaffee wurde lange Zeit an einem feuchten Ort gelagert.	Bitte benutzen Sie frisch gemahlene Kaffee. Bewahren Sie unbenutzten gemahlene Kaffee in luftdichter Verpackung an einem kühlen und trockenen Ort auf.

Die Kaffeemaschine schaltet sich nicht ein.	Keine Spannung an der Steckdose. Der Netzstecker ist in die Steckdose undicht eingesteckt.	Vergewissern Sie sich, dass die Steckdose funktioniert. Prüfen Sie, ob der Netzstecker fest in der Steckdose sitzt.
Dampf schlägt Milch nicht auf.	Die Bereitschaftsanzeige leuchtet nicht weiß.	Erst wenn die Bereitschaftsanzeige weiß leuchtet, kann Milch mit Dampf aufgeschäumt werden.
	Der benutzte Behälter ist zum richtigen Milchaufschäumen nicht geeignet.	Benutzen Sie einen hohen und schmalen Behälter.
	Sie haben Entfettungsmilch genutzt.	Benutzen Sie nur 4-6% Vollmilch.

LIEFERUMFANG

1. Kaffeemaschine — 1 St.
2. Messlöffel — 1 St.
3. Bedienungsanleitung — 1 St.

TECHNISCHE EIGENSCHAFTEN

- Stromversorgung 220-240 V, ~ 50-60 Hz
- Nennleistungsaufnahme: 1250-1450 W
- Fassungsvermögen des Wasserbehälters: 1,25 l

ENTSORGUNG

Zwecks Umweltschutzes geben Sie das Gerät nach Beendigung dessen Nutzungsdauer in einen Spezialpunkt für weitere Entsorgung über.

Die bei der Entsorgung der Erzeugnisse entstehenden Abfälle sind unbedingt zu sammeln und weiter ordnungsmäßig zu entsorgen.

Mehrere Information zur Entsorgung dieses Produkts erhalten Sie bei Ihrer lokalen Stadtverwaltung, einem Abfallentsorgungsdienst oder beim Geschäft, wo Sie dieses Produkt gekauft haben.

Der Hersteller behält sich das Recht vor, das Design, die Konstruktion und die das gemeine Gerätebetriebsprinzip nicht beeinflussenden technischen Eigenschaften ohne Vorbenachrichtigung zu verändern.

Die Gerätenutzungsdauer beträgt 3 Jahre

Das Herstellungsdatum ist in der Fabrikationsnummer angegeben.

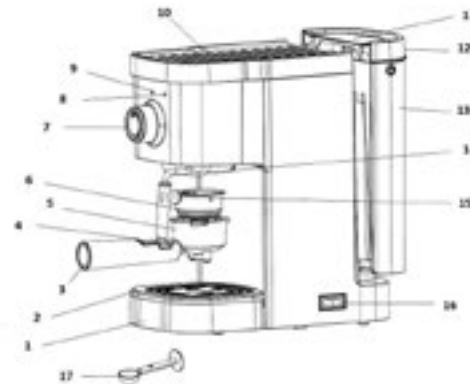
Bei Störungsfeststellung wenden Sie sich baldigst an einen autorisierten Kundendienst.

РОЖКОВАЯ КОФЕВАРКА BR1100

Кофеварка предназначена для варки кофе «эспрессо» и приготовления кофе «капучино».

ОПИСАНИЕ

1. Поддон для капель
2. Решетка поддона для капель
3. Ручка держателя фильтра
4. Удерживатель фильтра
5. Держатель фильтра
6. Фильтр для кофе
7. Переключатель режимов работы «☕, ☕»
8. Индикатор готовности
9. Индикатор включения кофеварки
10. Площадка для подогрева чашек
11. Крышка ёмкости для воды
12. Ручка ёмкости для воды
13. Ёмкость для воды
14. Трубка-капучинатора
15. Наконечник капучинатора
16. Выключатель питания «0/I»
17. Мерная ложка с уплотнителем кофе

**ВНИМАНИЕ!**

Для дополнительной защиты в цепи питания целесообразно установить устройство защитного отключения (УЗО) с номинальным током срабатывания, не превышающим 30 мА, для установки УЗО обратитесь к специалисту.

МЕРЫ БЕЗОПАСНОСТИ И РЕКОМЕНДАЦИИ ПО ЭКСПЛУАТАЦИИ КОФЕВАРКИ

Перед использованием кофеварки внимательно ознакомьтесь с руководством по эксплуатации, и сохраните его для использования в будущем.

- Используйте кофеварку только по её прямому назначению, как изложено в данной инструкции.
- Неправильное обращение с кофеваркой может привести к её поломке, причинению вреда пользователю или его имуществу и не является гарантийным случаем.
- Кофеварка предназначена для приготовления кофе эспрессо и капучино, подогрева готовых напитков, запрещается подогревать любые другие жидкости.
- Убедитесь, что рабочее напряжение кофеварки, указанное на этикетке, соответствует напряжению электросети.
- Вилка шнура питания имеет контакт заземления, вставляйте её в электрическую розетку, имеющую надёжный контакт заземления. При коротком замыкании, заземление снижает риск поражения электрическим током.
- Обратитесь к специалисту-электрику, если вы не уверены в том, что ваши розетки правильно установлены и заземлены.
- Во избежание возникновения пожара запрещается использовать «переходники», предназна-

ченные для подключения вилки шнура питания к электрической розетке, не имеющей контакта заземления.

- При искрении в электрической розетке и присутствии запаха гари, выньте вилку шнура питания из розетки и обратитесь в организацию, обслуживающую вашу домашнюю электрическую сеть.
- При появлении дыма из корпуса устройства, выньте вилку шнура питания из электрической розетки и примите меры к нераспространению огня.
- Используйте и храните кофеварку при температуре выше 0 °С.
- Запрещается использовать кофеварку вне помещений.
- Не рекомендуется использовать устройство во время грозы.
- Оберегайте устройство от ударов, падений, вибраций и иных механических воздействий.
- Не оставляйте кофеварку, включённый в сеть, без присмотра.
- Во избежание пожара, удара электрическим током или физических повреждений не погружайте вилку шнура питания, шнур питания или корпус кофеварки в воду или любые другие жидкости.
- Не используйте кофеварку вблизи от кухонной раковины, в ванных комнатах, около бассейнов или других ёмкостей, наполненных водой.
- Если устройство упало в воду, немедленно выньте вилку шнура питания из розетки и только после этого достаньте устройство из воды.

- Не используйте кофеварку в непосредственной близости от нагревательных приборов, источников тепла или открытого пламени.
- Запрещается использовать устройство в местах, где используются или распыляются аэрозоли, а также вблизи от легковоспламеняющихся жидкостей.
- Устанавливайте кофеварку на ровную и устойчивую поверхность, не ставьте её на край стола. Не допускайте, чтобы шнур питания свешивался со стола, а также следите, чтобы он не касался горячих поверхностей и острых кромок мебели.
- Не ставьте кофеварку на горячие поверхности.
- Запрещается прикасаться к шнуру питания и вилке шнура питания, мокрыми руками.
- Используйте только детали кофеварки и принадлежности, входящие в комплект поставки.
- Перед включением кофеварки убедитесь, что все съёмные детали установлены правильно.
- Следите, чтобы уровень воды в ёмкости был не ниже минимальной отметки.
- Не включайте кофеварку без воды.
- Во избежание получения ожога горячим паром, соблюдайте осторожность при приготовлении молочной пенки или при подогреве готовых напитков.
- Поверхность держателя фильтра, трубки-капучинатора и насадки капучинатора может иметь достаточно высокую температуру. Соблюдайте

осторожность и аккуратность при контакте с горячими поверхностями.

- Запрещается снимать держатель фильтра во время работы кофеварки.
- Дайте устройству полностью остыть перед чисткой и снятием принадлежностей.
- Отключайте кофеварку от электрической сети перед чисткой или в том случае, если вы ей не пользуетесь. При отключении кофеварки от электрической сети держитесь только за вилку шнура питания и аккуратно выньте её из электрической розетки, не тяните за шнур питания — это может привести к повреждению шнура питания, электрической розетки или вызвать короткое замыкание.
- Из соображений безопасности детей не оставляйте полиэтиленовые пакеты, используемые в качестве упаковки, без присмотра.

ВНИМАНИЕ!

Не разрешайте детям играть с полиэтиленовыми пакетами или упаковочной плёнкой. **Опасность удушья!**

- Кофеварка не предназначена для использования детьми.
- Осуществляйте надзор за детьми, чтобы не допустить использования прибора в качестве игрушки.
- Не разрешайте детям прикасаться к устройству и к шнуру питания во время работы кофеварки.

- Во время работы и остывания размещайте устройство в местах, недоступных для детей.
- Данное устройство не предназначено для использования лицами (включая детей) с пониженными физическими, психическими или умственными способностями, или при отсутствии у них опыта или знаний, если они не находятся под контролем или не проинструктированы об использовании прибора лицом, ответственным за их безопасность.
- Периодически проверяйте состояние шнура питания и вилки шнура питания.
- При повреждении шнура питания его замену во избежание опасности должны производить изготовитель, сервисная служба или подобный квалифицированный персонал.
- Запрещается самостоятельно ремонтировать прибор. Не разбирайте прибор самостоятельно, при возникновении любых неисправностей, а также после падения устройства выключите прибор из электрической розетки и обратитесь в сервисный центр.
- Перевозите кофеварку в заводской упаковке.
- Храните устройство в местах, недоступных для детей и людей с ограниченными возможностями.

КОФЕВАРКА ПРЕДНАЗНАЧЕНА ТОЛЬКО ДЛЯ БЫТОВОГО ИСПОЛЬЗОВАНИЯ, ЗАПРЕЩАЕТСЯ ИСПОЛЬЗОВАТЬ КОФЕВАРКУ В КОМЕРЧЕСКИХ ИЛИ ЛАБОРАТОРНЫХ ЦЕЛЯХ.

ПОДГОТОВКА КОФЕВАРКИ К РАБОТЕ

После транспортировки или хранения устройства при пониженной температуре необходимо выдержать его при комнатной температуре не менее трёх часов.

- Распакуйте кофеварку и удалите все упаковочные материалы.
- Сохраните заводскую упаковку.
- Проверьте комплектацию.
- Ознакомьтесь с мерами безопасности и рекомендациями по эксплуатации.
- Осмотрите кофеварку на наличие повреждений при наличии повреждений не включайте её в электрическую розетку.
- Убедитесь, что параметры напряжения питания, указанные на нижней панели изделия, соответствуют параметрам электрической сети. При использовании устройства в электрической сети частотой 60 Гц, никаких дополнительных действий не требуется.
- Протрите поверхность корпуса кофеварки чистой, слегка влажной тканью для удаления пыли.

- Перед первым использованием кофеварки промойте все ее съемные детали (5, 6, 13, 15, 17) теплой водой с нейтральным моющим средством, ополосните и просушите.
- Перед включением убедитесь, что напряжение электрической сети соответствует напряжению, указанному на корпусе устройства.
- Убедитесь, что выключатель питания (16) находится в положении «0», а ручка переключателя режимов работы (7) — в положении «●».
- Снимите ёмкость (13), для этого возьмитесь за ручку (12) и снимите ёмкость по направлению вверх, наполните ее холодной водой до отметки MAX и установите на место.
- Вставьте фильтр для кофе (6) в держатель (5), совместив выступ на фильтре (6) с прорезью в держателе (5) и поверните фильтр (6) по/против часовой стрелки (не наполняйте фильтр молотым кофе).
- Установите держатель фильтра (5) в кофеварку. Выступы держателя (5) должны совпасть с пазами на бойлере «▼■», после чего поверните ручку (3) держателя фильтра (5) в правую сторону до упора «▼■».
- Поставьте подходящую чашку на решётку (2).
- Вставьте вилку шнура питания в электрическую розетку.

- Включите кофеварку, установив выключатель питания (16) в положение «I», при этом загорится индикатор (9).
- Дождитесь нагрева бойлера, индикатор (8) будет светиться белым цветом.
- Для заполнения водой бойлера установите ручку переключателя режимов работы (7) в положение «☞», через 15-20 секунд, или при первых признаках появления воды в чашке, выключите подачу воды, установив ручку переключателя режимов работы (7) в положение «●».
- Повторно установите ручку переключателя режимов работы (7) в положение «☞», после заполнения чашки водой выключите подачу воды, установив ручку переключателя режимов работы (7) в положение «●», слейте воду из чашки. В зависимости от объема чашки проведите эту процедуру несколько раз, после этого бойлер будет промыт.
- **Примечание:** при первом закачивании воды в бойлер может возникнуть посторонний шум, это нормальное явление, устройство выпускает воздух из бойлера, приблизительно через 20 секунд посторонний шум прекратится.

ВНИМАНИЕ!

Запрещается снимать держатель фильтра (5) во время работы кофеварки.

ФУНКЦИЯ АВТОМАТИЧЕСКОГО ВЫКЛЮЧЕНИЯ

- После включения питания, если в течение 25 минут не будет выполнено никаких действий, кофеварка автоматически выключится.

КАК ПРИГОТОВИТЬ ХОРОШИЙ КОФЕ ЭСПРЕССО

- Используйте молотый кофе, предназначенный для кофеварок «эспрессо».
- Слегка утрамбовывайте молотый кофе в фильтре (6), для этого используйте обратный конец мерной ложки (17).
- Крепость получаемого кофе будет зависеть от качества и степени помола кофейных зерен. Если кофе наливается слишком долго, это означает, что кофе очень мелкого помола или слишком сильно утрамбован.

ПРЕДВАРИТЕЛЬНЫЙ НАГРЕВ

- Чтобы приготовить чашку горячего кофе эспрессо, рекомендуется предварительно нагреть фильтр для кофе (6) и держатель фильтра (5).
- Снимите ёмкость (13), для этого возьмитесь за ручку (12) и снимите ёмкость (13) по направлению вверх, наполните ее холодной водой до отметки MAX и установите на место.
- Вставьте фильтр для кофе (6) в держатель (5),

- совместив выступ на фильтре (6) с прорезью в держателе (5) и поверните фильтр (6) по/против часовой стрелки (не наполняйте фильтр молотым кофе).
- Установите держатель фильтра (5) в кофеварку. Выступы держателя (5) должны совпасть с пазами на бойлере «▼■», после чего поверните ручку (3) держателя фильтра (5) в правую сторону до упора «▼■».
- Поставьте подходящую чашку на решётку (2).
- Вставьте вилку шнура питания в электрическую розетку.
- Включите кофеварку, установив выключатель питания (16) в положение «I», при этом загорится индикатор (9).
- Дождитесь нагрева бойлера, индикатор (8) будет светиться белым цветом.
- Установите ручку переключателя режимов работы (7) в положение «☕», через 20-30 секунд выключите подачу воды, установив переключатель режимов работы (7) в положение «●».
- Предварительный нагрев завершён.

ПРИГОТОВЛЕНИЕ КОФЕ ЭСПРЕССО

ВНИМАНИЕ!

Во время приготовления кофе не оставляйте кофеварку без присмотра, так как необходимо следить за процессом наполнения чашки готовым кофе!

- Убедитесь, что выключатель питания (16) находится в положении «0», а ручка переключателя режимов работы (7) — в положении «●».
- Для снятия держателя фильтра (5) поверните ручку (3) в левую сторону «▼■» и снимите держатель фильтра (5).
- Насыпьте молотый кофе в фильтр (6) мерной ложкой (17), слегка утрамбуйте кофе обратной стороной мерной ложки (17).
- Установите держатель фильтра (5) в кофеварку. Выступы держателя (5) должны совпасть с пазами на бойлере «▼■», после чего поверните ручку (3) держателя фильтра (5) в правую сторону до упора «▼■».
- Поставьте чашку на решётку (2).
- **Примечание:** используемые чашки необходимо предварительно нагреть, для этого установите чашки на площадку (10), во время нагрева воды в бойлере площадка (10) нагревается и подогревает установленные чашки.
- Вставьте вилку шнура питания в электрическую розетку.
- Включите кофеварку, установив выключатель питания (16) в положение «I», при этом загорится индикатор (9).
- Дождитесь нагрева бойлера, индикатор (8) будет светиться белым цветом.
- Включите подачу воды, установив ручку переключателя режимов работы (7) в положение

- «☕», следите за процессом наполнения чашки приготовленным кофе.
- После наполнения чашки приготовленным кофе, установите ручку переключателя режимов работы (7) в положение «●».
- **Примечания:**
 - после установки ручки режимов работы (7) в положение «●», происходит сброс давления, остатки горячей воды подаются в поддон (1), при этом вы услышите характерный звук и увидите выходящий пар из решётки поддона (2), опасайтесь ожогов от выходящего горячего пара.
 - следите за наполнением поддона (1), периодически сливайте воду и промывайте поддон (1).
- Отключите кофеварку, установив выключатель питания (16) в положение «0», индикатор (9) погаснет.
- Дождитесь остывания кофеварки и снимите держатель фильтра (5), для этого поверните ручку (3) в левую сторону «▼■». Удалите остатки молотого кофе и промойте фильтр (6).

ПРИГОТОВЛЕНИЕ КАПУЧИНО

ВНИМАНИЕ!

Опасайтесь ожогов от выходящего горячего пара.

- Сварите кофе, как описано в разделе «ПРИГОТОВЛЕНИЕ ЭСПРЕССО», в чашке, объема, которой будет достаточно для добавления молочной пенки.
- Установите ручку переключателя режимов работы (7) в положение «●», дождитесь, когда индикатор (8) загорится белым цветом.
- Опустите наконечник (15) в ёмкость с холодным молоком или сливками.
- Установите ручку переключателя режимов работы (7) в положение «☰». Наконечник (15) не должен касаться дна ёмкости, иначе выход пара будет затруднен.
- **Примечание:** во избежание выплёскивания молока всегда погружайте наконечник (15) на глубину более 1 см от поверхности молока.
- Выходящий пар создаёт завихрения, способствующие образованию молочной пенки, периодически приподнимайте и опускайте ёмкость с молоком или сливками относительно наконечника (15) до образования молочной пенки.
- Процесс получения молочной пенки — это искусство. С первого раза пенка может и не получиться, не отчаивайтесь и экспериментируйте, пока не добьётесь результата.
- При взбивании молочной пенки, можно снять наконечник (15) и попробовать взбивать молочную пенку непосредственно паром, выходящим из трубки-капучинатора (14).
- Выключите подачу пара, установив ручку переключателя режимов работы (7) в положение «●».
- Добавьте молочную пенку в приготовленный кофе эспрессо, кофе капучино готов. Добавьте по вкусу сахар, украсить молочную пенку можно какао порошком.
- Отключите кофеварку, установив выключатель питания (16) в положение «0», индикатор (9) погаснет.
- **Важно:**
 - Молоко, используемое для приготовления пенки, должно быть свежим и без консервантов. Используйте обычное цельное молоко жирностью от 4 до 6%, жирность сливок должна быть не менее 10%.
 - При выборе размера ёмкости для молока или сливок, имейте в виду, что объем пенки увеличивается в 2 раза, убедитесь, что высота ёмкости достаточна.
 - Сразу после взбивания молока или сливок прочистите трубку-капучинатора (14) и наконечник (15) — для этого опустите трубку-капучинатора (14) с наконечником (15) в стакан с водой, включите подачу пара на 10-15 секунд, установив ручку переключателя режимов работы (7) в положение «☰», после этого установите ручку переключателя режимов работы (7) в положение «●» и выключите кофеварку.

- Дождитесь остывания кофеварки и снимите наконечник (15) с трубки-капучинатора (14), протрите трубку-капучинатора (14) снаружи влажной, мягкой тканью, сам наконечник (15) промойте под струей воды.
- **Примечание:** повторное приготовление кофе рекомендуется производить с интервалами не менее 5 минут.

ПОДОГРЕВ НАПИТКОВ

- Вы можете подогреть готовые напитки, опустив трубку-капучинатора (14) без наконечника (15) в чашку с напитком.
- Установите ручку переключателя режимов работы (7) в положение «●», дождитесь, когда индикатор (8) загорится белым цветом.
- Опустите трубку-капучинатора (14) без наконечника (15) в чашку с напитком, который вы хотите подогреть. Установите ручку переключателя режимов работы (7) в положение «☰».
- После подогрева напитка, установите ручку переключателя режимов работы (7) в положение «●».
- Отключите кофеварку, установив выключатель питания (16) в положение «0», индикатор (9) погаснет.

ОЧИСТКА ОТ МИНЕРАЛЬНЫХ ОТЛОЖЕНИЙ

- Попеременное мигание индикаторов (8, 9) означает, что прошло 150 циклов заваривания кофе или приготовления молочной пенки и необходимо выполнить очистку кофеварки от минеральных отложений.
- Снимите ёмкость (13) и наполните её водой и средством для удаления минеральных отложений до максимального уровня. Можно использовать «домашнее средство для удаления накипи» — это раствор лимонной кислоты в соотношении на сто частей воды три части лимонной кислоты.
- Установите в держатель фильтра (5) фильтр (6), не наполняйте фильтр (6) молотым кофе. Установите держатель фильтра (5) в кофеварку. Выступы держателя (5) должны совпасть с пазами на бойлере, после чего поверните ручку (3) держателя фильтра (5) в правую сторону до упора «▼». Поставьте подходящую чашку на решётку (2).
- Поверните ручку переключателя режимов работы (7) в положение «☰», помпа включится и будет работать 90 секунд, после этого установите ручку переключателя режимов работы (7) в положение «●», оставьте средство для удаления накипи в кофеварке как минимум на 5-10 минут.
- Убедитесь, что в ёмкости (13) осталось средство для удаления накипи.

- Поставьте подходящую чашку под насадку капучинатора (15), установите ручку переключателя режимов работы (7) в положение «☺», помпа включится и будет работать 90 секунд, после этого установите ручку переключателя режимов работы (7) в положение «●».
- Затем промойте кофеварку, для этого наполните ёмкость (13) водопроводной водой, повторите пункты 3, 5 два раза без 5-10 минутного перерыва.
- После завершения очистки кофеварки, индикаторы (8, 9) перестанут мигать, очистка кофеварки завершена.
- Если Вы не хотите в данный момент выполнять очистку кофеварки и проведёте очистку кофеварки в ближайшее время, быстро поверните ручку переключателя режимов работы (7) в положение «☺», затем в положение «●», затем в положение «☺» и снова поверните ручку в положение «●», если эти действия будут совершены в течение 3 секунд, то предупреждение об очистке (мигание индикаторов (8, 9) будет отменено).
- Проведите чистку кофеварки в ближайшее время, не откладывая чистку кофеварки на более поздний срок.
- **Примечание:** для удаления накипи можно использовать специальные средства для удаления накипи в кофеварках и кофе машинах, строго соблюдая инструкции по их использованию.

ЧИСТКА КОФЕВАРКИ

- Если в отверстиях фильтра (6) имеется осадок молотого кофе, прочистите фильтр (6) небольшой щёткой.
- Протирайте корпус кофеварки мягкой, слегка влажной тканью, после чего вытрите корпус кофеварки насухо. Для чистки кофеварки запрещается использовать абразивные чистящие средства и растворители.
- Запрещается погружать корпус кофеварки, шнур питания и вилку шнура питания в воду или любые другие жидкости.
- Съёмные детали кофеварки промывайте теплой водой с нейтральным моющим средством, сполосните и просушите их.

ПОДДОН ДЛЯ КАПЕЛЬ (1)

- Снимите решетку (2) с поддона (1), снимите поддон (1) и слейте из него воду, промойте поддон (1) и установите его на место, на поддон (1) установите решётку (2).

ХРАНЕНИЕ

- Прежде чем убрать кофеварку на длительное хранение, отключите её от электросети, и дайте устройству остыть.
- Проведите чистку кофеварки.
- Уберите кофеварку в заводскую упаковку.

- Используйте и храните кофеварку при температуре выше 0 °С.
- Храните кофеварку в сухом прохладном месте, недоступном для детей и людей с ограниченными возможностями.

НЕИСПРАВНОСТИ, ИХ ПРИЧИНЫ И МЕТОДЫ ИХ УСТРАНЕНИЯ

Неисправность	Причина	Устранение
Вода вытекает из дна кофеварки.	В поддоне много воды.	Пожалуйста, очистите поддон.
	Кофеварка неисправна.	Пожалуйста, свяжитесь с сервисным центром для ремонта кофеварки.
Вода вытекает из держателя фильтра.	На фильтре находится молотый кофе.	Очистите края фильтра от молотого кофе.
Неприятный вкус готового кофе.	Кофеварка не промыта после очистки от минеральных отложений.	Проведите очистку кофеварки от минеральных отложений и промойте её от остатков чистящего средства.
	Молотый кофе хранился во влажном месте в течение длительного времени.	Пожалуйста, используйте свежий молотый кофе. Храните неиспользованный молотый кофе в герметичной упаковке в сухом прохладном месте.

Кофеварка не включается.	В сетевой розетке отсутствует напряжение. Вилка шнура питания не до конца вставлена в розетку.	Убедитесь, что сетевая розетка исправна. Проверьте, до конца ли вставлена вилка шнура питания в розетку.
Пар не взбивает молоко	Индикатор готовности не светится белым цветом.	Только после того, как индикатор готовности будет светиться белым цветом, пар можно использовать для вспенивания молока.
	Используемая ёмкость не подходит для правильного вспенивания молока.	Используйте высокую и узкую ёмкость.
	Вы использовали обезжиренное молоко.	Используйте только цельное молоко, жирностью 4-6%.

КОМПЛЕКТ ПОСТАВКИ

1. Кофеварка — 1 шт.
2. Мерная ложка — 1 шт.
3. Инструкция — 1 шт.

ТЕХНИЧЕСКИЕ ХАРАКТЕРИСТИКИ

- Электропитание 220-240 В, ~ 50-60 Гц
- Номинальная потребляемая мощность: 1250-1450 Вт
- Объем ёмкости для воды: 1,25 л
- Максимальный объем воды: 0,5 л

УТИЛИЗАЦИЯ



В целях защиты окружающей среды, после окончания срока службы прибора, передайте его в специализированные пункты для дальнейшей утилизации.

Отходы, образующиеся при утилизации изделий, подлежат обязательному сбору с последующей утилизацией в установленном порядке.

Для получения дополнительной информации об утилизации данного продукта обратитесь в местный муниципалитет, службу утилизации бытовых отходов или в магазин, где Вы приобрели данный продукт.

Производитель сохраняет за собой право изменять дизайн, конструкцию и технические характеристики, не влияющие на общие принципы работы устройства, без предварительного уведомления.

Срок службы устройства — 3 года

Дата производства указана в серийном номере.

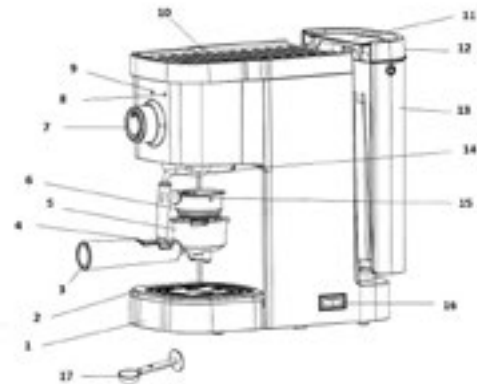
В случае обнаружения каких-либо неисправностей необходимо обратиться в авторизированный сервисный центр.

BR1100 МҮЙІЗДІ КОФЕҚАЙНАТҚЫШ

Кофеқайнатқыш «эспрессо» кофесін қайнатуға және «капучино» кофесін әзірлеуге арналған

СИПАТТАМАСЫ

1. Тамшыларға арналған табандық
2. Тамшыларға арналған табандық торы
3. Сүзгі ұстағышының тұтқасы
4. Сүзгі ұстап тұрғышы
5. Сүзгі ұстағышы
6. Кофеге арналған сүзгі
7. Жұмыс режимдерінің ауыстырғышы « ☕ , ☕ »
8. Әзірлік индикаторы
9. Кофеқайнатқышты қосу индикаторы
10. Тостағандарды қыздыруға арналған алаңша
11. Суға арналған сыйымдылық қақпағы
12. Суға арналған сыйымдылық тұтқасы
13. Суға арналған сыйымдылық
14. Капучинатор түтігі
15. Капучинатор ұштығы
16. Қуаттандыру сөндіргіші «0/1»
17. Кофенің тығыздауышы бар өлшеуіш қасық



НАЗАР АУДАРЫҢЫЗ!

Қосымша қорғаныс үшін қуаттандыру тізбегінде номиналдық іске қосылу тогы 30 мА аспайтын қорғаныс сөндіру құралын (ҚСҚ) орнатқан дұрыс, ҚСҚ-ны орнату үшін маманға жүгінізіз.

ҚАУІПСІЗДІК ШАРАЛАРЫ ЖӘНЕ КОФЕҚАЙНАТҚЫШТЫ ПАЙДАЛАНУ БОЙЫНША ҰСЫНЫСТАР

Кофеқайнатқышты пайдалану алдында пайдалануға беру жөніндегі нұсқаулығын мұқият оқып шығыңыз, одан кейін болашақта пайдалану үшін сақтап қойыңыз.

- Кофеқайнатқышты осы нұсқаулықта баяндалғандай оның тікелей мақсаты бойынша ғана пайдаланыңыз.
- Кофеқайнатқышты дұрыс қолданбау оның бұзылуына, және пайдаланушыға немесе оның мүлкіне зиян келтіруге әкеп соғуы мүмкін және кепілдік жағдайы болып табылмайды.
- Кофеқайнатқыш эспрессо және капучино кофесін дайындауға, дайын сусындарды жылытуға арналған, кез келген басқа сұйықтықтарды жылытуға тыйым салынады.
- Заттаңбада көрсетілген кофеқайнатқыштың жұмыс кернеуі электр желісінің кернеуіне сәйкес екеніне көз жеткізіңіз.
- Қуаттандыру бауы ашасының жерге қосу байланысы бар,
- оны жерге қосудың сенімді байланысы бар электр розеткасына қосыңыз. Қысқа тұйықталу кезінде, жерге қосуы электр тоғы соққысы қаупін төмендетеді.

- Егер розетканың дұрыс орнатылғанына және жерге қосылуына сенімді болмасаңыз, электр-манына жүгініңіз.
- Өрттің шығуын болдырмау үшін жерге қосу байланысы жоқ электр розеткасына қосуға арналған, қуаттандыру бауы ашасының «өткізгіштерін» пайдалануға тыйым салынады.
- Күйік иісі және электр розеткасынан от ұшқыны пайда болған кезде, розеткадан желі бауының ашасын суырыңыз және сіздің үйіңіздің электр желісіне қызмет көрсететін ұйымға жүгініңіз.
- Құрылғы корпусынан түтін шыққан кезде қуаттандыру бауының ашасын электр розеткасынан шығарыңыз және от таралмауға қатысты шараларды қолданыңыз.
- Кофеқайнатқышты 0 °C-тан жоғары температурада пайдаланыңыз және сақтаңыз.
- Электр кофеқайнатқышты үй-жайдан тыс жерде пайдалануға тыйым салынады.
- Найзағай кезінде құрылғыны пайдалану ұсынылмайды.
- Құрылғыны соққыдан, құлаудан, дірілден және басқа да механикалық әсерлерден сақтаңыз.
- Желіге қосылған кофеқайнатқышты қараусыз қалдырмаңыз.
- Өрттің шығуын, электр тоғы соққысын немесе физикалық жарақат алуды болдырмау үшін желі бауының ашасын, желі бауын немесе кофеқайнатқыш корпусын суға немесе басқа да сұйықтықтарға батырмаңыз.

- Кофеқайнақышты ас үй раковинасына жақын, жуынатын бөлмеде, бассейндер немесе басқа да су толтырылған сыйымдылықтарға жақын жерде пайдаланбаңыз.
- Құрылғы суға құлап кеткен жағдайда, дереу желі бауының ашасын электр розеткасынан сурыңыз, содан кейін ғана құрылғыны судан алып шығыңыз.
- Кофеқайнатқышты жылу көздерінің, жылыту аспаптарының немесе ашық оттың тікелей жанында пайдаланбаңыз.
- Құрылғыны аэрозольдар пайдаланылатын немесе шашырайтын жерлерде, сондай-ақ тез тұтанатын сұйықтықтарға жақын жерлерде пайдалануға тыйым салынады.
- Кофеқайнатқышты тегіс және тұрақты бетке орнатыңыз, оны үстелдің шетіне қоймаңыз. Желі бауының үстелден салбырап тұруына жол бермеңіз, сонымен бірге оның ыстық беттермен және жиһаздың өткір жиектерімен жанаспауын қадағалаңыз.
- Кофеқайнатқышты ыстық беттерге қоймаңыз.
- Қуаттандыру бауы мен қуаттандыру бауының ашасына сулы қолмен тиісуге тыйым салынады.
- Жеткізілім жиынтығына кіретін кофеқайнатқыш бөлшектері мен жабдықтарын ғана пайдаланыңыз.
- Кофеқайнатқышты қосар алдында барлық шешілмелі бөлшектерінің дұрыс орнатылғанына көз жеткізіңіз.
- Кофеқайнатқыштағы судың деңгейі минималдық белгіден төмен болмауын қадағалаңыз.

- Суы жоқ кофеқайнатқышты қоспаңыз.
- Ыстық бумен күюді болдырмау үшін сүт көбігін дайындау кезінде немесе дайын сусындарды қыздыру кезінде абайлық сақтаңыз.
- Сүзгі ұстағышының, капучинатор түтігінің және капучинатор қондырмасының беті өте жоғары температурада болуы мүмкін. Ыстық беттерге тиіскен кезде ұқыптылық пен абайлық сақтаңыз.
- Сүзгі ұстағышын кофеқайнатқыш жұмыс істеп тұрған кезде шешуге тыйым салынады.
- Тазалау және жабдықтарын шешу алдында құрылғыны толығымен суытыңыз.
- Кофеқайнатқышты тазалау алдында немесе пайдаланбайтын болған жағдайда, оны электр желісінен ажыратыңыз. Кофеқайнатқышты желіден ажыратқан кезде тек қуаттандыру бауының ашасынан ұстаңыз және оны электр розеткасынан абайлап шығарыңыз, қуаттандыру бауынан тартпаңыз — бұл қуаттандыру бауының, электр розетканың зақымдануына әкелуі немесе қысқа тұйықталуын тудыруы мүмкін.
- Балалардың қауіпсіздігі мақсатында қаптама ретінде қолданылатын полиэтилен пакеттерді қараусыз қалдырмаңыз.

НАЗАР АУДАРЫҢЫЗ!

Балаларға полиэтилен пакеттерімен немесе қаптама үлдірімен ойнауға рұқсат етпеңіз. **Тұншығу қаупі бар!**

- Кофеқайнатқыш балалардың пайдалануына арналмаған.
- Аспапты ойыншық ретінде пайдаланбаулары үшін балаларды қадағалап отырыңыз.
- Кофеқайнатқыш жұмыс істеп тұрғанда балаларға қуаттандыру бауына және құрылғыға тиісуіне жол бермеңіз.
- Жұмыс кезінде және суу кезінде құрылғыны балалардың қолы жетпейтін жерге қойыңыз.
- Осы құрылғы дене, психикалық немесе ақыл-ой мүмкіндіктері төмендетілген тұлғалардың
- (балаларды қоса) немесе олардың тәжірибесі немесе білімі болмаса, егер олар бақыланбаса немесе олардың қауіпсіздігі үшін жауап беретін тұлғамен аспапты пайдалану туралы нұсқаулықтар берілген болмаса, олардың пайдалануына арналмаған.
- Қуаттандыру бауының, қуаттандыру бауының ашасы және құрылғы корпусының жағдайын мезгілімен тексеріп отырыңыз.
- Қуаттандыру бауы зақымданғанда қауіп тудырмау үшін оны дайындаушы, сервистік қызмет немесе баламалы білікті маман ауыстыруы тиіс.
- Аспапты өз бетіңізбен жөндеуге тыйым салынады. Аспапты өз бетіңізбен жөндемеңіз, кез-келген ақаулықтар пайда болған кезде, сондай-ақ құрал құлағаннан кейін құрылғыны электр розеткасынан ажыратып, қызмет көрсету орталығына хабарла-сыңыз.

- Кофеқайнатқышты тек зауыт қаптамасымен ғана тасымалдаңыз.
- Құрылғыны балалардың және мүмкіндіктері шектеулі адамдардың қолы жетпейтін жерде сақтаңыз.

КОФЕҚАЙНАТҚЫШ ТЕК ТҰРМЫСТЫҚ ПАЙДАЛА- НУҒА АРНАЛҒАН, КОФЕҚАЙНАТҚЫШТЫ КОМЕР- ЦИЯЛЫҚ НЕМЕСЕ ЗЕРТХАНАЛЫҚ МАҚСАТТАРДА ПАЙДАЛАНУҒА ТЫЙЫМ САЛЫНАДЫ.

КОФЕҚАЙНАТҚЫШТЫ ЖҰМЫСҚА ДАЙЫН- ДАУ

**Құрылғыны төмен температурада тасымалдаған-
нан кейін немесе сақтағаннан кейін оны бөлме
температурасында үш сағаттан кем емес уақыт
ұстау қажет.**

- Кофеқайнатқышты қаптамадан шығарыңыз және барлық қаптама материалдарын алып тастаңыз.
- Зауыт қаптамасын сақтап қойыңыз.
- Жинақталымын тексеріңіз.
- Қауіпсіздік шаралары мен пайдалану нұсқаула-рымен танысыңыз.
- Кофеқайнатқышты зақымдануға тексеріңіз, зақымданған жері бар болған жағдайда оны электр розеткасына қоспаңыз.
- Бұйымның төменгі панелінде көрсетілген қуат-тандыру кернеуінің параметрлері электр желісінің

параметрлеріне сәйкес келетініне көз жеткізіңіз. Құрылғыны 60 Гц жиіліктегі электр желісінде пайдаланғанда, ешқандай қосымша әрекет қажет емес.

- Кофеқайнатқыш корпусының сыртқы бетін таза, шаңды сүртуге арналған сәл дымқыл матамен сүртіңіз.
- Кофеқайнатқышты алғашқы пайдалану алдында оның барлық шешіlmелі бөлшектерін (5, 6, 13, 15, 17) бейтарап жуу құралы бар жылы сумен жуыңыз, шайыңыз және құрғатыңыз.
- Қосар алдында, электр желісінің кернеуі құрылғы-ның корпусында көрсетілген кернеуге сәйкес келетінін тексеріп алыңыз.
- Қуаттандыру сөндіргіші (16) «0» күйінде тұрғаны-на, ал жұмыс режимдерін ауыстырғыш тұтқасы (7) «●» күйінде тұрғанына көз жеткізіңіз.
- Сыйымдылықты (13) шешіп алыңыз, ол үшін тұтқасынан (12) ұстаңыз және сыйымдылықты жоғары бағытқа қарай шешіп алыңыз, оны MAX белгісіне дейін суық сумен толтырыңыз және орнына қойыңыз.
- Кофе сүзгісін (6) ұстағышқа (5) орнатыңыз, ол үшін сүзгідегі (6) шығыңқыны ұстағыштағы (5) ойыққа сәйкестенің де сүзгіні (6) сағат тілімен /қарсы бұраңыз (сүзгіні ұнтақталған кофемен толтыр-маңыз).
- Сүзгі ұстағышын (5) кофеқайнатқышқа орнатыңыз. Ұстағыштың шығыңқысы (5) бойлердің ойықтары-

на «▼■» сәйкес келуі керек, содан кейін, сүзгі (5) ұстағышының тұтқасын (3) тірелгенге дейін оңға қарай «▼■» бұраңыз.

- Сәйкес тостағанды торға (2) қойыңыз.
- Қуаттандыру бауының ашасын электр розеткасы-на салыңыз.
- Қуаттандыру сөндіргішін (16) «I» күйіне орнатып, кофеқайнатқышты қосыңыз, осы кезде желі инди-каторы (9) жанады.
- Бойлердің қызуын күтіңіз, индикатор (8) ақ түспен жарқырайды.
- Бойлерді сумен толтыру үшін жұмыс режимдерін ауыстырғышы тұтқасын (7) «☐» күйіне орна-тыңыз, 15-20 секундтан кейін немесе тостағанда судың пайда болуының алғашқы белгілері кезінде, жұмыс режимдерін ауыстырғышы тұтқасын (7) «●» күйіне орнатып, су беруді сөндіріңіз.
- Жұмыс режимдерін ауыстырғышы тұтқасын (7) «☐» күйіне қайта орнатыңыз, тостаған суға толғаннан кейін, жұмыс режимдерін ауыстырғышы тұтқасын (7) «●» күйіне орнатып, су беруді сөндіріңіз, тостағаннан суды құйып алыңыз. Тостағанның көлеміне байланысты бұл рәсімді бірнеше рет қайталаңыз, содан кейін бойлер жуылған болады.
- **Ескертпе:** бойлерге суды бірінші рет айдаған-да, бөгде шу пайда болуы мүмкін, бұл қалыпты құбылыс, құрылғы бойлерден ауа шығарады, ша-мамен 20 секундтан кейін бөгде шу тоқтатылады.

НАЗАР АУДАРЫҢЫЗ!

Сүзгі ұстағышын (5) кофеқайнатқыш жұмыс істеп тұрғанда шешуге тыйым салынады.

АВТОМАТТЫ ТҮРДЕ СӨНДІРУ ФУНКЦИЯСЫ

- Қуаттандыруды қосқаннан кейін, егер 25 минут ішінде ешқандай әрекет болмаса, кофеқайнатқыш автоматты түрде сөндіріледі.

ЖАҚСЫ ЭСПРЕССО КОФЕСІН ҚАЛАЙ ӨЗІР-ЛЕУГЕ БОЛАДЫ

- «Эспрессо» кофеқайнатқыштарына арналған ұнтақталған кофені пайдаланыңыз.
- Сүзгіште (6) ұнтақталған кофені сәл тығыздап отырыңыз, ол үшін өлшеуіш
- қасықтың (17) теріс жағын пайдаланыңыз.
- Дайындалған кофенің күштілігі кофе дәндерінің ұнтақталу дәрежесі мен сапасына байланысты болады. Егер кофе тым ұзақ құйылса, бұл кофе тым ұсақ ұнтақталған екенін немесе тым қатты тығыздалғанын білдіреді.

АЛДЫН АЛА ҚЫЗДЫРУ

- Жақсы ыстық эспрессо кофесін әзірлеу үшін, біз алдын ала кофе сүзгісін (6) және сүзгі ұстағышын (5) қыздырып алуды ұсынамыз.
- Сыйымдылықты (13) шешіп алыңыз, ол үшін

тұтқасынан (12) ұстаңыз және сыйымдылықты (13) жоғары бағытқа қарай шешіп алыңыз, оны МАХ белгісіне дейін суық сумен толтырыңыз және орнына қойыңыз.

- Кофе сүзгісін (6) ұстағышқа (5) орнатыңыз, ол үшін сүзгідегі (6) шығыңқыны ұстағыштағы (5) ойыққа сәйкестенің де сүзгіні (6) сағат тілімен /қарсы бұраңыз (сүзгіні ұнтақталған кофемен толтырмаңыз).
- Сүзгі ұстағышын (5) кофеқайнатқышқа орнатыңыз. Ұстағыштың шығыңқысы (5) бойлердің ойықтарына « ▼■ » сәйкес келуі керек, содан кейін, сүзгі (5) ұстағышының тұтқасын (3) тірелгенге дейін оңға қарай « ▼■ » бұраңыз.
- Сәйкес тостағанды торға (2) қойыңыз.
- Қуаттандыру бауының ашасын электр розеткасына салыңыз.
- Қуаттандыру сөндіргішін (16) «I» күйіне орнатып, кофеқайнатқышты қосыңыз, осы кезде желі индикаторы (9) жанады.
- Бойлердің қызуын күтіңіз, индикатор (8) ақ түспен жарқырайды.
- Жұмыс режимдерін ауыстырғышы тұтқасын (7) « ☕ » күйіне орнатыңыз, 20-30 секундтан кейін жұмыс режимдерін ауыстырғышын (7) « ● » күйіне орнатып, су беруді сөндіріңіз.
- Алдын ала қыздыру осымен аяқалды.

ЭСПРЕССО КОФЕСІН ӨЗІРЛЕУ**НАЗАР АУДАРЫҢЫЗ!**

Кофені әзірлеу кезінде кофеқайнатқышты қараусыз қалдырмаңыз, себебі дайын кофені тостағанға толтыру процесін қадағалау қажет!

- Қуаттандыру сөндіргіші (16) «0» күйінде тұрғанына, ал жұмыс режимдерін ауыстырғыш тұтқасы (7) « ● » күйінде тұрғанына көз жеткізіңіз.
- Сүзгі ұстағышын (5) шешу үшін тұтқаны (3) сол жаққа « ▼■ » бұрыңыз және сүзгі ұстағышын (5) шешіп алыңыз.
- Ұнтақталған кофені сүзгіге (6) өлшегіш қасықпен (17) себіңіз, өлшегіш қасықтың (17) теріс жағымен сәл ғана кофені нығыздаңыз.
- Сүзгі ұстағышын (5) кофеқайнатқышқа орнатыңыз. Ұстағыштың шығыңқысы (5) бойлердің ойықтарына « ▼■ » сәйкес келуі керек, содан кейін, сүзгі (5) ұстағышының тұтқасын (3) тірелгенге дейін оңға қарай « ▼■ » бұраңыз.
- Тостағанды табандық торына (2) қойыңыз.
- **Ескертпе:** пайдаланылатын тостағандарды алдын-ала қыздыру қажет, бұл үшін тостағанды алаңшаға (10) қойыңыз, бойлерде су қызған уақытта алаңша (10) да қызады және орнатылған тостағандарды қыздырады.
- Қуаттандыру бауының ашасын электр розеткасына салыңыз.

- Қуаттандыру сөндіргішін (16) «I» күйіне орнатып, кофеқайнатқышты қосыңыз, осы кезде желі индикаторы (9) жанады.
- Бойлердің қызуын күтіңіз, индикатор (8) ақ түспен жарқырайды.
- Жұмыс режимдерін ауыстырғышы тұтқасын (7) « ☕ » күйіне орнатып, су беруді қосыңыз, әзірленген кофені тостағанға толтыру процесін қадағалаңыз.
- Тостаған дайындалған кофемен толтырылғаннан кейін, жұмыс режимдерін (7) ауыстырғышы тұтқасын « ● » күйіне орнатыңыз.
- **Ескертпе:**
 - жұмыс режимдерінің тұтқасын (7) « ● » күйіне орнатқаннан кейін, қысымның түсірілуі жүзеге асады, ыстық су қалдықтары табандыққа (1) беріледі, осы ретте ерекше дабысты естисіз және табандық торынан (2) шығатын буды көресіз, шыққан ыстық буға күйіп қалудан сақ болыңыз.
 - табандықтың (1) толуын қадағалаңыз, суды мезгілімен төгіп отырыңыз және табандықты (1) жуып отырыңыз.
- Қуаттандыру сөндіргішін (16) «0» күйіне орнатып, кофеқайнатқышты сөндіріңіз, индикатор (9) өшеді.
- Кофеқайнатқыштың суығанын күтіңіз және сүзгі ұстағышты (5) шешіп алыңыз, тұтқаны (3) сол жаққа қарай « ▼■ » бұраңыз. Ұнтақталған кофенің қалдығын алып тастаңыз және сүзгіні (6) жуыңыз.

КАПУЧИНО ӨЗІРЛЕУ

НАЗАР АУДАРЫҢЫЗ!

Шыққан ыстық буға күйіп қалудан сақ болыңыз.

- «ЭСПРЕССО ӨЗІРЛЕУ» тарауында сипатталғандай, көлемі сүт көбігін қосуға жеткілікті болатын тостағанда, кофе қайнатыңыз.
- Жұмыс режимдерінің ауыстырғышы тұтқасын (7) « ● » күйіне орнатыңыз, индикатор (8) ақ түспен жанғанын күтіңіз.
- Ұштықты (15) суық сүт немесе кілегей бар сыйымдылыққа түсіріңіз.
- Жұмыс істеу режимдерін ауыстырғышы тұтқасын (7) « ☞ » күйіне орнатыңыз. Ұштық (15) сыйымдылық түбіне тиіп кетпеуі керек, әйтпесе бу шығару қиынға соғады.
- **Ескертпе:** сүт шашырамас үшін әрқашан ұштықты (15) сүт бетінен 1 см-дан астам тереңдікке түсіріңіз.
- Шығып жатқан бу құйын түзеді, ол сүт көбігінің пайда болуына әсер етеді, сүті немесе кілегей бар сыйымдылықты ұштыққа (15) қатысты сүт көбігі пайда болғанға дейін мезгілімен көтеріп және түсіріп тұрыңыз.
- Сүт көбігін алу үдерісі — бұл өнер. Бірінші ретте көбік шықпауы да мүмкін, қам жеменіз және жақсы нәтижеге қол жеткізгенге дейін тәжірибе жасаңыз.
- Сүт көбігін бұлғаған кезде, ұштықты (15) шешіп,

сүт көбігін түтікше-капучинатордан (14) шығатын бумен тікелей бұлғауға болады.

- Жұмыс істеу режимдерін ауыстырғыш тұтқасын (7) « ● » күйіне белгілеп, бу беруді сөндіріңіз.
- Өзірленген эспрессо кофесіне сүт көбігін қосыңыз, енді капучино кофесі дайын. Қантты талғамға қарай қосыңыз, сүт көбігін какао ұнтағымен безендіруге болады.
- Қуаттандыру сөндіргішін (16) «0» күйіне орнатып, кофеқайнатқышты сөндіріңіз, индикатор (9) өшеді.
- **Маңызды:**
 - Көбікті дайындау үшін қолданылатын сүт балғын және консервантсыз болуы керек. Кәдімгі қаймағы айырылмаған, майлылығы 4-тен 6% дейінгі сүтті қолданыңыз, кілегей майлылығы 10%-дан кем болмауға тиіс.
 - Сүтке немесе кілегейге арналған сыйымдылық мөлшерін таңдаған кезде көбік көлемі 2 есе артатынын ескеріңіз, сыйымдылықтың биіктігі жеткілікті екеніне көз жеткізіңіз.
 - Сүтті немесе кілегейді көпіршіткеннен кейін бірден түтік-капучинаторды (14) және ұштықты (15) тазалаңыз — бұл үшін ұштығы (15) бар түтік-капучинаторды (14) суы бар стаканға салыңыз, жұмыс режимін ауыстырғыш тұтқаны (7) « ☞ » күйіне орнатып, 10-15 секундқа бу беруді қосыңыз, содан кейін жұмыс режимін ауыстырғыш тұтқаны (7) « ● » күйіне орнатыңыз және кофеқайнатқышты сөндіріңіз.

- Кофеқайнатқыштың суығанын күтіңіз және ұштықты (15) түтік-капучинатордан (14) шешіңіз, түтік-капучинатордың (14) сыртын дымқыл жұмсақ матамен сүртіңіз, ұштықтың (15) өзін ағын судың астында жуыңыз.
- **Ескертпе:** кофені қайталап өзірлеу интервалы 5 минуттан кем болмауға тиіс.

СУСЫНДАРДЫ ҚЫЗДЫРУ

- Түтік-капучинаторды (14) ұштықсыз (15) сусыны бар тостағанға салып дайын сусындарыңызды қыздыра аласыз.
- Жұмыс режимдерінің ауыстырғышы тұтқасын (7) « ● » күйіне орнатыңыз, индикатор (8) ақ түспен жанғанын күтіңіз.
- Ұштықсыз (15) түтік-капучинаторды (14) қыздырғыңыз келген сусыны бар тостағанға салыңыз. Жұмыс істеу режимдерін ауыстырғышы тұтқасын (7) « ☞ » күйіне орнатыңыз.
- Сусынды қыздырғаннан кейін, жұмыс режимдерін ауыстырғышы тұтқасын (7) « ● » күйіне орнатыңыз.
- Қуаттандыру сөндіргішін (16) «0» күйіне орнатып, кофеқайнатқышты сөндіріңіз, индикатор (9) өшеді.

МИНЕРАЛДЫҚ ШӨГІНДІЛЕРДЕН ТАЗАЛАУ

- Индикаторлардың (8, 9) кезекпен жыпылықтауы кофені қайнатудың немесе сүт көбігін дайындаудың 150 циклының өткенін және кофеқай-

натқышты минералды шөгінділерден тазарту қажет екенін білдіреді.

- Сыйымдылықты (13) шешіп алыңыз және оны сумен және минералды шөгінділерді жоюға арналған құралмен ең жоғары деңгейге дейін толтырыңыз. «Қақты кетіретін үй құралын» қолдануға болады — бұл лимон қышқылының үш бөлігін судың жүз бөлігіне қатысты лимон қышқылының ерітіндісі.
- Сүзгі ұстағышына (5) сүзгі (6) орнатыңыз, сүзгіні (6) ұнтақталған кофемен толтырмаңыз. Сүзгі ұстағышты (5) кофеқайнатқышқа орнатыңыз. Ұстағыштың (5) шығыңқысы бойлердің ойықтарына сәйкес келуі керек, содан кейін, сүзгі (5) ұстағышының тұтқасын (3) тірелгенге дейін оңға қарай « ▼■ » бұраңыз. Ыңғайлы тостағанды торға (2) қойыңыз.
- Жұмыс режимдерін ауыстырғыштың тұтқасын (7) « ☞ » күйіне орнатыңыз, сорғы қосылады, ол 90 секунд жұмыс істейді, содан кейін жұмыс режимдерін ауыстырғыштың тұтқасын (7) « ● » күйіне орнатыңыз, қақты кетіруге арналған құралды кофеқайнатқыштың ішінде кемінде 5-10 минутқа қалдырыңыз.
- Сыйымдылықта (13) қақ кетіретін құрал бар екеніне көз жеткізіңіз.
- Ыңғайлы тостағанды капучинатор (15) қондырмасының астына қойыңыз, жұмыс режимдерінің ауыстырғышы тұтқасын (7) « ☞ » күйіне орнатыңыз,

- помпа қосылады және 90 секунд жұмыс істейтін болады, содан кейін жұмыс режимдерінің ауыстырғышы тұтқасын (7) « ● » күйіне орнатыңыз.
- Содан кейін кофеқайнатқышты жуыңыз, ол үшін сыйымдылықты (13) су құбыры суымен толтырыңыз, 5-10 минуттық үзіліссіз 3, 5-тармақтарын екі рет қайталаңыз.
 - Кофеқайнатқышты тазалау аяқталғаннан кейін, индикаторлар (8, 9) жыпылықтауын тоқтатады, кофеқайнатқышты тазалау аяқталды.
 - Егер сіз осы сәтте кофеқайнатқышты тазартуды қаламасаңыз және кофеқайнатқышты тазартуды жақын арада жүргізеңіз, жұмыс режимдері ауыстырғышы тұтқасын (7) « ☞ » күйіне, содан кейін « ● » күйіне, содан кейін тұтқаны « ☞ » күйіне бұраңыз және тағы да « ● » күйіне бұраңыз, егер бұл әрекеттер 3 секунд ішінде жасалса, онда тазалау туралы ескерту (индикаторлардың (8, 9) жыпылықтауы) тоқтатылады.
 - Кофеқайнатқышты тазалауды жақын уақытта іске асырыңыз, кофеқайнатқышты тазалауды айтарлықтай кеш уақытқа қалдырмаңыз.
 - Ескертпе:** — қақты кетіру үшін кофеқайнатқыштар мен кофе-машиналардағы қақты кетіруге арналған арнайы құралдарды, оларды пайдалану нұсқаулығын қатаң сақтай отырып, қолдануға болады.

КОФЕҚАЙНАТҚЫШТЫ ТАЗАЛАУ

- Егер сүзгі (6) саңылауларында ұнтақталған кофе тұнбасы болса, сүзгіні (6) шағын щеткамен тазалаңыз.
- Кофеқайнатқыш корпусын жұмсақ, сәл дымқыл матамен сүртіңіз, содан кейін кофеқайнатқыш корпусын құрғатып сүртіңіз. Кофеқайнатқышты тазарту үшін қажайтын жуғыш заттарды және еріткіштерді пайдалануға тыйым салынады.
- Кофеқайнатқыш корпусын, қуаттандыру бауын және қуаттандыру бауының ашасын суға немесе кез-келген басқа сұйықтықтарға салуға тыйым салынады.
- Кофеқайнатқыштың шешіlmелі бөлшектерін бейтарап жуу құралы бар жылы сумен жуыңыз, шайыңыз және оларды кептіріңіз.
- Тамшыларға арналған табандық (1)
- Табандықтың (1) үстінен торды (2) шешіп алыңыз, табандықты (1) шығарып алыңыз да, оның ішіндегі суды төгіп тастаңыз, табандықты (1) орнына орнатып, торды (2) табандыққа (1) орналастырыңыз.

САҚТАЛУЫ

- Кофеқайнатқышты ұзақ уақыт бойы сақтауға алып қоймас бұрын, оны электр желісінен ажыратыңыз, және құрылғыны суытыңыз.
- Кофеқайнатқышты тазалаңыз.
- Кофеқайнатқышты зауыттық қаптамаға салып қойыңыз.

- Кофеқайнатқышты 0 °C-тан жоғары температурада пайдаланыңыз және сақтаңыз.
- Кофе қайнатқышты құрғақ салқын жерде балалар мен мүмкіндігі шектеулі адамдардың қолы жетпейтін жерде сақтаңыз.

АҚАУЛЫҚТАР, ОЛАРДЫҢ СЕБЕПТЕРІ МЕН ЖОЮ ЖОЛДАРЫ

Ақаулықтар	Себебі	Жою
Кофеқайнатқыштың түбінен су ағады.	Табандықта көп су бар. Кофеқайнатқыш ақаулы.	Табандықты тазалаңыз. Кофеқайнатқышты жөндеу үшін сервистік орталықпен байланысыңыз.
Су сүзгі ұстағышынан ағады.	Сүзгіде ұнтақталған кофе бар.	Сүзгі шеттерін ұнтақталған кофеден тазалаңыз.
Дайын кофенің дәмі жағымсыз.	Кофеқайнатқыш минералды шөгінділерден тазартылғаннан кейін жуылмаған. Ұнтақталған кофе ұзақ уақыт бойы ылғалды жерде сақталған.	Кофеқайнатқышты минералды шөгінділерден тазартыңыз және оны тазалау құралының қалдықтарынан шайыңыз. Өтінеміз, жаңа ұнтақталған кофені пайдаланыңыз. Пайдаланылмаған ұнтақталған кофені құрғақ салқын жерде герметикалық қаптамада сақтаңыз.

Кофеқайнатқыш қосылмайды.	Желі розеткасында кернеу жоқ. Желілік бауының ашасы розеткаға дұрыс жалғанбаған.	Желі розеткасы жұмыс істеп тұрғанына көз жеткізіңіз. Қуаттандыру бауының ашасы розеткаға түбіне дейін тығылып тұрғанын тексеріңіз.
Бу сүтті көпіршітпейді	Дайындық индикаторы ақ түспен жарқырамайды.	Дайындық индикаторы ақ түспен жарқырағаннан кейін сүтті көбіктендіру үшін буды пайдалануға болады.
	Қолданылатын ыдыс сүттің дұрыс көбіктенуі үшін қолайлы емес.	Биік және тар сыйымдылықты пайдаланыңыз.
	Сіз майы айырылған сүтті пайдаландыңыз.	Тек қаймағы айырылмаған, майлылығы 4-6% сүтті қолданыңыз.

ЖЕТКІЗІЛІМ ЖИЫНТЫҒЫ

- Кофеқайнатқыш — 1 дн.
- Өлшегіш қасық — 1 дн.
- Нұсқаулық — 1 дн.

ТЕХНИКАЛЫҚ СИПАТТАМАЛАРЫ

- Электр қуаттандыруы 220-240 В, ~ 50-60 Гц
- Номиналды тұтыну қуаты: 1250-1450 Вт
- Суға арналған сыйымдылық көлемі: 1,25 л

ПАЙДАҒА АСЫРУ

Қоршаған ортаны қорғау мақсатында, аспаптың қызмет ету мерзімі аяқталғаннан кейін оны одан әрі пайдаға асыру үшін арнайы пункттерге жіберіңіз.

Бұйымдарды пайдаға асыру кезінде пайда болатын қалдықтар белгіленген тәртіп бойынша келесі пайдаға асыру үшін міндетті түрде жинастуруға жатады.



Берілген өнімді пайдаға асыру туралы қосымша ақпаратты алу үшін жергілікті муниципалитетке, тұрмыстық қалдықтарды пайдаға асыру қызметіне немесе берілген өнімді Сіз сатып алған дүкенге жүгініңіз.

Өндіруші құрылғының жалпы жұмыс ұстанымдарына әсер етпейтін дизайнды, алдын ала ескертусіз құрастырылымын және техникалық сипаттамаларды өзгерту құқығын өзінде сақтайды.

Құрылғының қызмет ету мерзімі — 3 жыл

Өндірілген күні сериялық нөмірде көрсетілген.

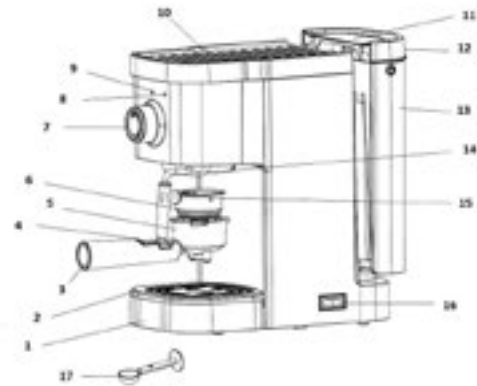
Қандай да бір ақаулықтар табылған жағдайда дереу авторландырылған сервистік орталыққа жүгіну керек.

РАЖКОВАЯ КАВАВАРКА BR1100

Кававарка прызначана для варкі кавы «эспрэса» і прыгатавання кавы «капучына».

АПІСАННЕ

1. Паддон для кропель
2. Рашотка паддона для кропель
3. Ручка трымальніка фільтра
4. Утрымальнік фільтра
5. Трымальнік фільтра
6. Фільтр для кавы
7. Пераключальнік рэжымаў працы «☕, ⏻»
8. Індыкатар гатоўнасьці
9. Індыкатар уключэння кававаркі
10. Пляцоўка для падагрэву кубкаў
11. Крышка ёмкасці для вады
12. Ручка ёмкасці для вады
13. Ёмкасць для вады
14. Трубка-капучынатара
15. Наканечнік капучынатара
16. Выключальнік сілкавання (0/1)
17. Мерная лыжка з ушчыльняльнікам кавы



УВАГА!

Для дадатковай бяспекі ў ланцугу сілкавання мэтазгодна ўсталяваць прыладу ахоўнага адключэння (ПАА) з намінальным токам спрацоўвання, які не перавышае 30 мА, для ўсталявання ПАА звярніцеся да спецыяліста.

МЕРЫ БЯСПЕКІ І РЭКАМЕНДАЦЫІ ПА ЭКСПЛУАТАЦЫІ КАВАВАРКІ

Перад выкарыстаннем кававапркі ўважліва азнаёмцеся з кіраўніцтвам па эксплуатацыі, і захавайце яго для выкарыстання ў будучыні.

- Выкарыстоўвайце кававарку толькі па яе прамым прызначэнні, як вызначана ў дадзенай інструкцыі.
- Няправільнае выкарыстанне кававаркі можа прывесці да яе паломкі, прычынення шкоды карыстальніку ці яго маёмасці і не з'яўляецца гарантыйным выпадкам.
- Кававарка прызначана для падрыхтоўкі кавы эспрэса і капучына, падагрэву гатовых напояў, забараняецца падаграваць любыя іншыя вадкасці.
- Пераканайцеся, што працоўная напруга кававаркі, якая паказана на этыкетцы, адпавядае напруге электрасеткі.
- Вілка шнура сілкавання мае кантакт засямлення, устаўляйце яе ў электрычную разетку,
- якая мае надзейны кантакт засямлення. Пры кароткім замыканні засямленне паніжае рызыку паражэння электрычным токам.
- Звярніцеся да спецыяліста-электрыка, калі вы не ўпэўнены ў тым, што вашы разеткі правільна ўсталяваны ці заземлены.
- Каб пазбегнуць узнікнення пажару, забараняецца выкарыстоўваць «пераходнікі», прызначаныя для

падлучэння сеткавай вілкі да электрычнай разетки, якая не мае кантакта засямлення.

- Пры іскрэнні ў электрычнай разетки і наяўнасці паху гару, выміце вілку шнура сілкавання з разетки і звярніцеся ў арганізацыю, якая абслугоўвае вашу хатнюю электрычную сетку.
- Пры з'яўленні дыму з корпусу прылады, выміце вілку шнура сілкавання з электрычнай разетки і прыміце меры да нераспаўсюджання агню.
- Выкарыстоўвайце і захоўваеце кававарку пры тэмпературы вышэй за 0 °С.
- Забараняецца выкарыстоўваць кававарку па-за памяшканнямі.
- Не рэкамендуецца выкарыстоўваць прыладу падчас навальніцы.
- Аберагайце прыладу ад удараў, падзенняў, вібрацый і іншых механічных уздзеянняў.
- Не астаўляйце кававарку, якая ўключана ў сетку, без нагляду.
- Каб пазбегнуць пажару, удару электрычным токам або фізічных пашкоджанняў не апускайце вілку шнура сілкавання, шнур сілкавання або корпус кававаркі ў ваду або любыя іншыя вадкасці.
- Не выкарыстоўвайце кававарку зблізку ад кухоннай ракавіны, ў ваннага памяшкання, каля басейнаў ці іншых ёмістасцяў, якія напоўнены вадой.
- Калі прылада ўпала ў ваду, неадкладна выміце вілку шнура сілкавання з электрычнай сеткі, і толькі пасля гэтага мажліва дастаць прыладу з вады.

- Не выкарыстоўвайце кававарку ў непасрэднай блізкасці ад награвальных прылад, крыніц цяпла ці адкрытага полымя.
- Забараняецца выкарыстоўваць прыладу ў месцах, дзе выкарыстоўваюцца ці распыляюцца аэразолі, а таксама зблізку ад лёгкаўзгаральных вадкасцяў.
- Усталёўвайце кававарку на роўную і ўстойлівую паверхню, не стаўце яе на край стала. Не дапушчайце, каб шнур сілкавання звешваўся са стала, а таксама сачыце, каб ён не дакранаўся да гарачых паверхняў і вострых кромак мэблі.
- Не стаўце кававарку на гарачыя паверхні.
- Забараняецца дакранацца да шнура сілкавання і вілкі шнура сілкавання мокрымі рукамі.
- Выкарыстоўвайце толькі дэталі кававаркі і прылады, якія ўваходзяць у камплект пастаўкі.
- Перад уключэннем прылады пераканайцеся, што ўсе здымныя дэталі ўсталяваны правільна.
- Сачыце, каб узровень вады ў кававарцы быў не вышэй, чым максімальная адмеціна.
- Не ўключайце кававарку без вады.
- Каб пазбегнуць атрымання апёку гарачай парай, захоўвайце асцярожнасць пры падрыхтоўцы малочнай плёўкі або пры падагрэве гатовых напояў.
- Паверхня трымальніка фільтра, трубка-капучынатара і насадкі капучынатара можа мець дастаткова высокую тэмпературу. Будзьце асцярожнымі і акуратнымі пры кантакце з нагрэтымі паверхнямі чайніка.

- Забараняецца здымаць трымальнік фільтра падчас працы кававаркі.
- Дайце прыстасаванню цалкам астыць перад чысткай і здыманнем прыналежнасцей.
- Адключайце кававарку ад электрычнай сеткі перад чысткай ці ў тым выпадку, калі вы ёю не карыстаецеся. Падчас адключэння кававаркі ад электрычнай сеткі трымайцеся за вілку шнура сілкавання і акуратна вымайце яе з электрычнай разетки, не цягніце за шнур сілкавання — гэта можа прывесці да пашкоджання шнура сілкавання, электрычнай разетки ці вызваць кароткае замыканне.
- З меркаванняў бяспекі дзяцей не пакідайце поліэтыленавыя пакеты, якія выкарыстоўваюцца ў якасці пакавання, без нагляду.

УВАГА!

Не дазваляйце дзецям гуляць з поліэтыленавымі пакаваннямі ці пакавальнай плёнкай. **Небяспека дудушша!**

- Кававарка не прызначана для выкарыстання дзецьмі.
- Здзяйсняйце нагляд за дзецьмі каб не дапусціць выкарыстання прылады ў якасці цацкі.
- Не дазваляйце дзецям дакранацца да прылады і да шнура сілкавання падчас працы кававаркі.

- Падчас працы і астывання размяшчайце прыладу ў месцах, недаступных для дзяцей.
- Дадзеная прылада не прызначана для выкарыстання асобамі (уключаючы дзяцей) з паніжанымі фізічнымі, псіхічнымі або разумовымі здольнасцямі або пры адсутнасці ў іх досведу і ведаў, калі яны не знаходзяцца пад кантролем або не праінструктаваны аб выкарыстанні прылады асобай, якая адказвае за іх бяспеку.
- Перыядычна правярайце стан шнура сілкавання, вілкі шнура сілкавання і корпусу прылады.
- Пры пашкоджанні шнура сілкавання яго замену, у пазбяганне небяспекі, павінны праводзіць вытворца, сервісная служба ці падобны кваліфікаваны персанал.
- Забараняецца самастойна рамантаваць прыладу. Не разбірайце прыладу самастойна, пры ўзнікненні любых няспраўнасцяў, а таксама пасля падзення прылады выключыце яе з электрычнай разетки і звярніцеся ў сервісны цэнтр.
- Перавазіце кававарку ў заводскім пакаванні.
- Храніце прыладу ў месцах, недаступных для дзяцей і людзей з абмежаванымі мажлівасцямі.

КАВАВАРКА ПРЫЗНАЧАНА ТОЛЬКІ ДЛЯ ПА-БЫТАВАГА ВЫКАРЫСТАННЯ, ЗАБАРАНЯЕЦЦА ВЫКАРЫСТОЎВАЦЬ У ПРАМЫСЛОВЫХ ЦІ ЛАБАРАТОРНЫХ МЭТАХ.

ПАДРЫХТОЎКА КАВАВАРКІ ДА ПРАЦЫ

Пасля транспартыроўкі ці захоўвання прылады пры паніжанай тэмпературы неабходна вытрымаць яе пры пакаёвай тэмпературы не меней, чым тры гадзіны.

- Распакуйце кававарку і выдаліце ўсе пакавальныя матэрыялы.
- Зберажыце заводское пакаванне.
- Праверце камплектацыю.
- Азнаёмцеся з мерамі бяспекі і рэкамендацыямі па эксплуатацыі.
- Аглядзіце кававарку на наяўнасць пашкоджанняў, пры наяўнасці пашкоджанняў не ўключайце яе ў электрычную разетку.
- Пераканайцеся, што параметры напругі, пазначаныя на ніжняй панэлі вырабу або падстаўцы, адпавядаюць параметрам электрычнай сеткі. Пры выкарыстанні прылады ў электрычнай сетцы чашчынёй 60 Гц. ніякія дадатковыя дзеянні не патрабуюцца.
- Пратрыце знешнюю паверхню корпусу чыстай, злёгка вільготнай тканінай для выдалення пылу.
- Перад першым выкарыстаннем кававаркі прамойце ўсе яе здымныя дэталі (5, 6, 13, 15, 17) цёплай вадой з нейтральным мыльным сродкам, апаласніце і прасушыце.

- Перад уключэннем пераканайцеся, што напружанне электрычнай сеткі адпавядае напружанню, паказанаму на корпусе прылады.
- Пераканайцеся, што выключальнік сілкавання (16) знаходзіцца ў становішчы «0», а ручка пераключальніка рэжымаў працы (7) — у становішчы «●».
- Зніміце ёмістасць (13), для гэтага вазьміцеся за ручку (12) і зніміце ёмістасць па кірунку ўверх, напоўніце яе халоднай вадой да адзнакі MAX і ўсталюйце на месца.
- Устаўце фільтр для кавы (6) у трымальнік (5), сумясціўшы выступ на фільтры (6) з прарэзам у трымальніку (5) і павярніце фільтр (6) па / супраць гадзіннікавай стрэлкі (не нападуйце фільтр молатай кавай).
- Усталюйце трымальнік фільтра (5) у кававарку. Выступы трымальніка (5) павінны супасці з пазамі на бойлеры «▼■», пасля чаго павярніце ручку (3) трымальніка фільтра (5) у правы бок да ўпора «▼■».
- Пастаўце падыходзячы кубак на рашотку (2).
- Устаўце вілку шнура сілкавання ў электрычную разетку.
- Уключыце кававарку, усталяваўшы выключальнік сілкавання (16) ў становішча «I», пры гэтым загарыцца індыкатар (9).
- Дачакайцеся нагрэву бойлера, індыкатар (8) будзе святціцца белым колерам.

- Для запаўнення вадой бойлера ўсталюйце ручку пераключальніка рэжымаў працы (7) у становішча «☐», праз 15-20 секунд, або пры першых прыкметах з'яўлення вады ў кубку, выключыце падачу вады, усталяваўшы ручку пераключальніка рэжымаў працы (7) у становішча «●».
- Паўторна ўсталюйце ручку пераключальніка рэжымаў працы (7) у становішча «☐», пасля запаўнення кубка вадой выключыце падачу вады, усталяваўшы ручку пераключальніка рэжымаў працы (7) у становішча «●», злейце ваду з кубка. У залежнасці ад аб'ёму кубка правядзіце гэтую працэдуру некалькі разоў, пасля гэтага бойлер будзе прамыты.
- **Заўвага:** пры першым запампоўванні вады ў бойлер можа ўзнікнуць старонні шум, гэта нармальнае з'ява, прылада выпускае паветра з бойлера, прыблізна праз 20 секунд старонні шум спыніцца.

УВАГА!

Забараняецца здымаць трымальнік фільтра (5) падчас працы кававаркі.

ФУНКЦЫЯ АўТАМАТЫЧНАГА ВЫКЛЮЧЭННЯ

- Пасля ўключэння сілкавання, калі на працягу 25 хвілін не будзе выканана ніякіх дзеянняў, кававарка аўтаматычна выключыцца.

ЯК ПРЫГАТАВАЦЬ ДОБРУЮ КАВУ ЭСПРЭСО

- Выкарыстоўвайце молатую каву, прызначаную для кававарак «эспрэса».
- Злёгка ўтрамбоўвайце молатую каву ў фільтры (6), для гэтага выкарыстоўвайце зваротны канец мернай лыжкі (17).
- Моц атрымоўванага кавы будзе залежаць ад якасці і ступені памолу кававых зерняў. Калі кава наліваецца занадта доўга, гэта азначае, што кава вельмі дробнага памолу ці занадта моцна ўтрамбавана.

ПАПЯРЭДНІ НАГРЭЎ

- Чобы прыгатовіць чашку гарачага кофе эспрэсо, рэкамендуецца перадварительно нагрэць фільтр для кофе (6) і держатель фільтра (5).
- Здыміце ёмістасць (13), для гэтага вазьміцеся за ручку (12) і зніміце ёмістасць (13) па кірунку ўверх, напоўніце яе халоднай вадой да адзнакі MAX і ўсталойце на месца.
- Устаўце фільтр для кавы (6) у трымальнік (5), сумясціўшы выступ на фільтры (6) з прарэзам у трымальніку (5) і павярніце фільтр (6) па / супраць гадзіннікавай стрэлкі (не напаўняйце фільтр молатай кавай).
- Усталойце трымальнік фільтра (5) у кававарку. Выступы трымальніка (5) павінны супасці з пазамі на бойлеры «▼■», пасля чаго павярніце ручку (3) трымальніка фільтра (5) у правы бок да ўпора «▼■».

- Пастаўце падыходзячы кубак на рашотку (2).
- Устаўце вілку шнура сілкавання ў электрычную разетку.
- Уключыце кававарку, усталяваўшы выключальнік сілкавання (16) ў становішча «I», пры гэтым загарыцца індыкатар (9).
- Дачакайцеся нагрэву бойлера, індыкатар (8) будзе святціцца белым колерам.
- Усталойце ручку пераклучальніка рэжымаў працы (7) у становішча «☞», праз 20-30 секунд выключыце падачу вады, усталяваўшы пераклучальнік рэжымаў працы (7) у становішча «●».
- Предварительный нагрев завершён.

ПРЫГЫТАВАННЕ КАВЫ ЭСПРЭСО

УВАГА!

Падчас падрыхтоўкі кавы не пакідайце кававарку без нагляду, бо неабходна сачыць за працэсам напаўнення кубка гатовай кавай!

- Пераканайцеся, што выключальнік сілкавання (16) знаходзіцца ў становішчы «0», а ручка пераклучальніка рэжымаў працы (7) — у становішчы «●».
- Для зняцця трымальніка фільтра (5) павярніце ручку (3) у левы бок «▼■» і зніміце трымальнік фільтра (5).
- Насыпце молатую каву ў фільтр (6) мернай лыжкай (17), злёгка ўтрамбуйце каву зваротным бокам мернай лыжкі (17).

- Усталойце трымальнік фільтра (5) у кававарку. Выступы трымальніка (5) павінны супасці з пазамі на бойлеры «▼■», пасля чаго павярніце ручку (3) трымальніка фільтра (5) у правы бок да ўпора «▼■».
- Пастаўце кубак на рашотку (2).
- **Заўвага:** выкарыстоўваемыя кубкі неабходна папярэдне нагрэць, для гэтага ўсталойце кубкі на пляцоўку (10), падчас нагрэву вады ў бойлеры пляцоўка (10) награвецца і падагравае устаноўленыя кубкі.
- Устаўце вілку шнура сілкавання ў электрычную разетку.
- Уключыце кававарку, усталяваўшы выключальнік сілкавання (16) ў становішча «I», пры гэтым загарыцца індыкатар (9).
- Дачакайцеся нагрэву бойлера, індыкатар (8) будзе святціцца белым колерам.
- Уключыце падачу вады, усталяваўшы ручку пераклучальніка рэжымаў працы (7) у становішча «☞», сачыць за працэсам напаўнення кубка прыгатаванай кавай.
- Пасля напаўнення кубка прыгатаванай кавай, усталойце ручку пераклучальніка рэжымаў працы (7) у становішча «●».
- **Заўвагі:**
 - пасля ўстаноўкі ручкі рэжымаў працы (7) у становішча «●», адбываецца скід ціску, рэшткі гарачай вады падаюцца ў паддон (1), пры

- гэтым вы пачуеце характэрны гук і ўбачыце пар які выходзіць з рашоткі паддона (2), асцерагайцеся апёкаў ад гарачага пара які выходзіць.
- сачыць за напаўненнем паддона (1), перыядычна злівайце ваду і прамывайце паддон (1).
- Адключыце кававарку, усталяваўшы выключальнік сілкавання (16) у становішча «0», індыкатар (9) патухне.
- Дачакайцеся астывання кававаркі і зніміце трымальнік фільтра (5), для гэтага павярніце ручку (3) у левы бок «▼■». Выдаліце рэшткі молатай кавы і прамыйце фільтр (6).

ПРЫГАТАВАННЕ КАПУЧЫНА

Увага! Асцерагайцеся апёкаў ад гарачага пара які выходзіць.

- Згатуйце каву, як апісана ў раздзеле «ПРЫГАТАВАННЕ ЭСПРЭСО», у кубку,
- аб'ём, якога будзе дастаткова для дадання малочнай плёўкі.
- Усталойце ручку пераклучальніка рэжымаў працы (7) у становішча «●», дачакайцеся, калі індыкатар (8) загарыцца белым колерам.
- Апусціце на канечнік (15) у ёмістасць з халодным малаком або сліўкамі.
- Усталойце ручку пераклучальніка рэжымаў працы (7) у становішча «☞». Наканечнік (15) не павінен дакранацца дна ёмістасці, інакш выхад пара будзе абцяжараны.

- **Заўвага:** каб пазбегнуць выплёсквання малака заўсёды апускайце наканечнік (15)
- на глыбіню больш за 1 см ад паверхні малака.
- Пар, які выходзіць стварае завіхрэні, якія спрыяюць стварэнню малочнай плеўкі, перыядычна прыпадымайце і апускайце ёмістасць з малаком або сліўкамі адносна наканечніка (15) да стварэння малочнай плеўкі.
- Працэс атрымання малочнай плеўкі — гэта мастацтва. З першага разу пенка можа і не атрымацца, не адчайвайцеся і эксперыментуйце, пакуль не атрымаеце вынік.
- Пры ўзбівання малочнай плеўкі, можна зняць наканечнік (15) і паспрабаваць ўзбіваць малочную плеўку непасрэдна парай, якія выходзяць з трубка-капучынатара (14).
- Выключыце падачу пары, усталяваўшы ручку пераключальніка рэжымаў працы (7) у становішча «●».
- Дадайце малочную плеўку у прыгатаваную каву эспрэса, кава капучына гатова. Дадайце па густу цукар, упрыгожыць малочную плеўку можна какава парашком.
- Адключыце кававарку, усталяваўшы выключальнік сілкавання (16) у становішча «0», індыкатар (9) патухне.
- **Важна:**
 - Малако, якое выкарыстоўваецца для падрыхтоўкі плеўкі, павінна быць свежым і без кансервантаў.

вантаў. Выкарыстоўвайце звычайнае суцэльнае малако тлустасцю ад 4 да 6%, тлустасць слівак павінна быць не менш за 10%.

- Пры выбары памеру ёмістасці для малака ці слівак, майце на ўвазе, што аб'ём плеўкі павялічваецца ў 2 разы, пераканайцеся, што вышыня ёмістасці дастатковая.
- Адразу пасля ўзбівання малака ці слівак прачысціце трубку-капучынатара (14) і наканечнік (15) — для гэтага апусціце трубку-капучынатара (14) з наканечнікам (15) у шклянку з вадой, уключыце падачу пары на 10-15 секунд, усталяваўшы ручку пераключальніка рэжымаў працы (7) у становішча «☺», пасля гэтага ўсталюйце ручку пераключальніка рэжымаў працы (7) у становішча «●» і выключыце кававарку.
- Дачакайцеся астывання кававаркі і зніміце наканечнік (15) з трубка-капучынатара (14), працярыце трубку-капучынатара (14) звонку вільготнай, мяккай тканінай, сам наканечнік (15) прамыйце пад струмнем вады.
- **Заўвага:** паўторнае прыгатаванне кавы рэкамендуецца вырабляць з інтэрваламі не менш за 5 хвілін.

ПАДАГРЭЎ НАПОЯЎ

- Вы можаце падагрэць гатовыя напоі, апусціўшы трубку-капучынатара (14) без наканечніка (15) ў кубак з напоем.

- Усталюйце ручку пераключальніка рэжымаў працы (7) у становішча «●», дачакайцеся, калі індыкатар (8) загарыцца белым колерам.
- Апусціце трубку-капучынатара (14) без наканечніка (15) у кубак с напоем, які вы хочаце падагрэць. Усталюйце ручку пераключальніка рэжымаў працы (7) у становішча «☺».
- Пасля падагрэву напоя, усталюйце ручку пераключальніка рэжымаў працы (7) у становішча «●».
- Адключыце кававарку, усталяваўшы выключальнік сілкавання (16) у становішча «0», індыкатар (9) патухне.

АЧЫСТКА АД МІНЕРАЛЬНЫХ АДКЛАДАЎ

- Папераменнае мігненне індыкатараў (8, 9) азначае, што прайшло 150 цыклаў заварвання кавы ці падрыхтоўкі малочнай плеўкі і неабходна выканаць ачыстку кававаркі ад мінеральных адкладаў.
- Зніміце ёмістасць (13) і напоўніце яе вадой і сродкам для выдалення мінеральных адкладаў да максімальнага ўзроўню. Можна выкарыстоўваць «хатні сродак для выдалення накіпу» — гэта раствор цытрынавай кіслаты ў суадносінах на сто частак вады тры часткі цытрынавай кіслаты.
- Усталюйце ў трымальнік фільтра (5) фільтр (6), не нападуйце фільтр (6) молатай кавай. Усталюйце трымальнік фільтра (5) у кававарку. Выступы трымальніка (5) павінны супасці з пазамі на бойлеры,

пасля чаго павярніце ручку (3) трымальніка фільтра (5) у правы бок да ўпора «▼».

- Пастаўце прыдатны кубак на рашотку (2).
- Павярніце ручку пераключальніка рэжымаў працы (7) у становішча «☺», помпа ўключыцца і будзе працаваць 90 секунд, пасля гэтага ўсталюйце ручку пераключальніка рэжымаў працы (7) у становішча «●», пакіньце сродак для выдалення накіпу ў кававарцы як мінімум на 5-10 хвілін.
- Пераканайцеся, што ў ёмістасці (13) застаўся сродак для выдалення накіпу.
- Пастаўце прыдатны кубак пад насадку капучынатара (15), усталюйце ручку пераключальніка рэжымаў працы (7) у становішча «☺», помпа ўключыцца і будзе працаваць 90 секунд, пасля гэтага ўсталюйце ручку пераключальніка рэжымаў працы (7) у становішча «●».
- Затым прамыйце кававарку, для гэтага напоўніце ёмістасць (13) вадаправоднай вадой, паўтарыце пункты 3, 5 два разы без 5-10 хвіліннага перапынку.
- Пасля завяршэння ачысткі кававаркі, індыкатары (8, 9) перастануць мігаць, ачыстка кававаркі завершана.
- Калі Вы не хочаце ў дадзены момант выконваць ачыстку кававаркі і праведзяце ачыстку кававаркі ў бліжэйшы час, хутка павярніце ручку пераключальніка рэжымаў працы (7) у становішча «☺», затым у становішча «●», затым у ста-

новішча « ☞ » і зноў павярніце ручку ў становішча « ● », калі гэтыя дзеянні будуць выкананы на працягу 3 секунд, то папярэджанне аб ачыстцы (мігценне індикатараў (8, 9) будзе адменена.

- Правядзіце чыстку кававаркі ў бліжэйшы час, не адкладайце чыстку кававаркі на больш позні тэрмін.
- **Заўвага:** для выдалення накіпу можна выкарыстоўваць спецыяльныя сродкі для выдалення накіпу ў кававарках і кава машынах, строга выконваючы інструкцыі па іх выкарыстанні.

ЧЫСТКА КАВАВАРКІ

- Калі ў адтулінах фільтра (6) маецца асадак молатай кавы, прачысціце фільтр (6) невялікай шчотачкай.
- Пратрыце корпус прылады мяккай, злёгка вільготнай тканінай, пасля чаго вытрыце яго насуха. Для чысткі кававаркі забараняецца выкарыстоўваць абразіўныя чысцяшчыя сродкі і растваральнікі.
- Забараняецца апускаць прыладу, шнур сілкання і вілку шнура сілкання ў ваду ці любыя іншыя вадкасці.
- Здымныя дэталі кававаркі прамывайце цёплай вадой з нейтральным мыйным сродкам, спаласніце і прасушыце іх.

ПАДДОН ДЛЯ КРОПЕЛЬ (1)

- Зніміце рашотку (2) з паддона (1), зніміце паддон (1) і зліце з яго ваду, прамыйце паддон (1) і ўсталюйце яго на месца, на паддон (1) устанавіце рашотку (2).

ЗАХОЎВАННЕ

- Перад тым як схваць кававарку на доўгае захоўванне, адключыце яе ад электрасеткі, і дайце прыладзе астыць.
- Правядзіце чыстку кававаркі.
- Убярыце кававарку ў заводское пакаванне.
- Выкарыстоўвайце і захоўваеце кававарку пры тэмпературы вышэй за 0 °С.
- Захоўвайце кававарку ў сухім прахалодным месцы, недаступным для дзяцей і людзей з абмежаванымі магчымасцямі.

НЯСПРАЎНАСЦІ, ІХ ПРЫЧЫНЫ І МЕТАДЫ ўСТРАНЕННЯ

Няспраўнасць	Прычына	Устраненне
Вада выцякае з дна кававаркі.	У паддоне шмат вады. Кававарка няспраўная.	Калі ласка, ачысціце паддон. Калі ласка, звяжыцеся з сэрвісным цэнтрам для рамонту кававаркі.
Вада выцякае з трымальніка фільтра.	На фільтры знаходзіцца молатая кава.	Ачысціце край фільтра ад молатай кавы.

Непрыемны густ гатовай кавы.	Кававарка не прамыта пасля ачысткі ад мінеральных адкладаў.	Правядзіце ачыстку кававаркі ад мінеральных адкладаў і прамыйце яе ад рэшткаў чысцяшчага сродку.
	Молатая кава захоўвалася ў вільготным месцы на працягу доўгага часу.	Калі ласка, выкарыстоўвайце свежа молатую каву. Захоўваеце нявыкарыстаную молатую каву ў герметычным пакаванні ў сухім прахалодным месцы.
Кававарка не ўключаецца.	У сеткавай разеткі адсутнічае напружанне.	Пераканайцеся, што сеткавая разетка спраўная.
	Вілка шнура сілкання не да канца ўстаўлена ў разетку.	Праверце, ці да канца ўстаўлена вілка шнура сілкання ў разетку.

Пар не ўзбівае малако	Індыкатар гатоўнасці не свеціцца белым колерам.	Толькі пасля таго, як індыкатар гатоўнасці будзе свяціцца белым колерам, пар можна выкарыстоўваць для ўспенвання малака.
	Выкарыстоўваная ёмістасць не падыходзіць для правільнага ўспенвання малака.	Выкарыстоўвайце высокую і вузкую ёмістасць.
	Вы выкарыстоўвалі абястлушчанае малако	Выкарыстоўвайце толькі натуральнае малако, тлустасцю 4-6%.

КАМПЛЕКТ ПАСТАЎКІ

1. Кававарка — 1 шт.
2. Мерная лыжка — 1 шт.
3. Інструкцыя — 1 шт

ТЭХНІЧНЫЯ ХАРАКТАРЫСТЫКІ

- Электрасілканне 220-240 В, ~ 50-60 Гц
- Намінальная спажываемая магутнасць: 1250 -1450 Вт
- Аб'ём ёмістасці для вады: 1,25 л

УТЫЛІЗАЦЫЯ

У мэтах аховы навакольнага асяроддзя, пасля заканчэння тэрміну службы прылады, перадайце яе ў спецыялізаваныя пункты для далейшай утылізацыі.

Адыходы, якія ствараюцца пры ўтылізацыі вырабаў, падлягаюць абавязковаму збору з наступнай утылізацыяй ва ўсталяваным парадку.

Каб атрымаць дадатковую інфармацыю пра ўтылізацыю дадзенага прадукта, звярніцеся ў мясцовы муніпалітэт, службу ўтылізацыі пабытавых адыходаў ці ў краму, дзе Вы набылі дадзены прадукт.

Вытворца захоўвае за сабой права змяняць дызайн, канструкцыю і тэхнічныя характарыстыкі, якія не ўплываюць на агульныя прынцыпы працы прылады, без папярэдняга апавяшчэння.

Тэрмін службы прылады — 3 гады

Дата вырабу паказана ў серыйным нумары.

У выпадку выяўлення якіх-небудзь няспраўнасцяў неабходна тэрмінова звярнуцца ў аўтарызаваны сэрвісны цэнтр.

Hergestellt für «Ruste GmbH»,
Berggasse 18/18, 1090 Wien,
Osterreich

Produced for «Ruste GmbH»,
Berggasse 18/18, 1090 Vienna, Austria

Изготовлено по заказу Русте Гмбх,
Бергассе 18/18, 1090 Вена, Австрия

Уполномоченное изготовителем
лицо: ООО «Грантэл»
143912, МО, г. Балашиха,
ш. Энтузиастов, вл. 1А
т.: +7 (495) 297-50-20,
e-mail: info@brayer.su

Made in China/Произведено в Китае

brayer.su

