

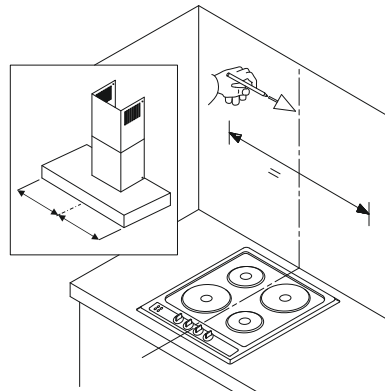
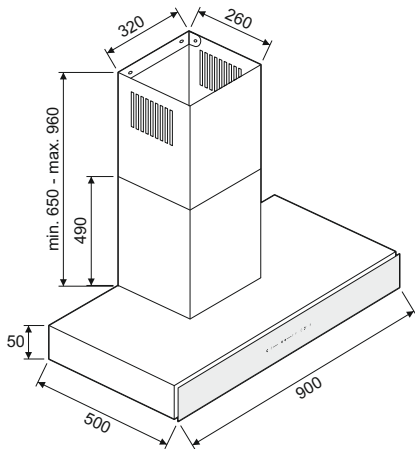
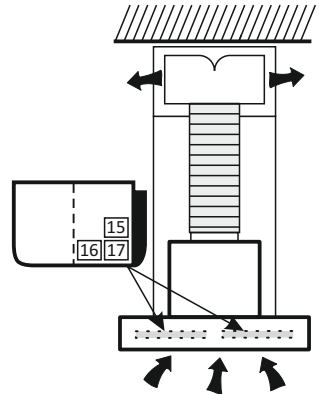
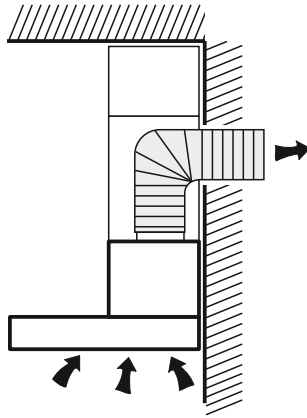
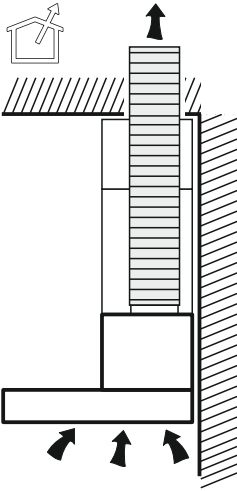
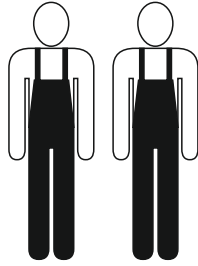
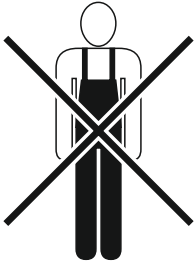
**Cooker hood**  
**Кухонная вытяжка**  
**Асүй сорып шығаруышы**

**gorenje**

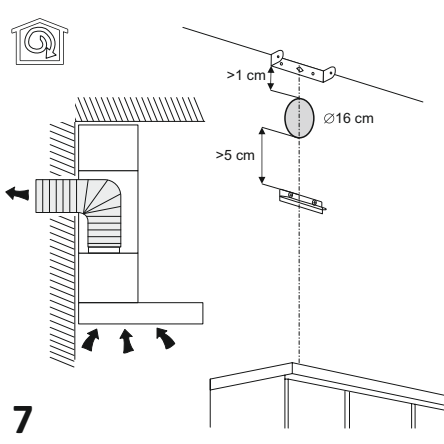
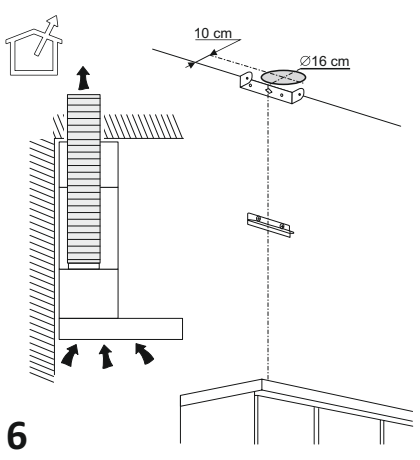
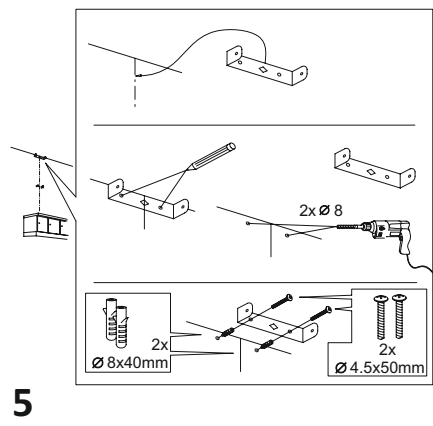
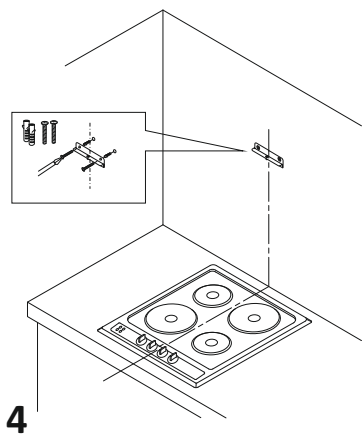
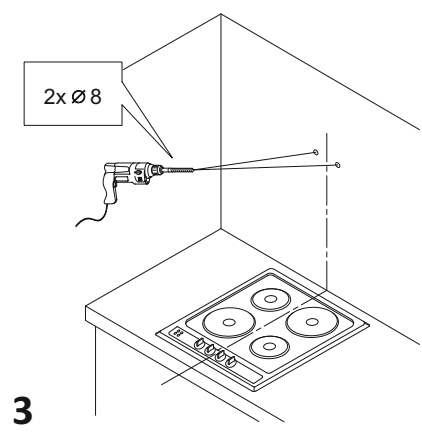
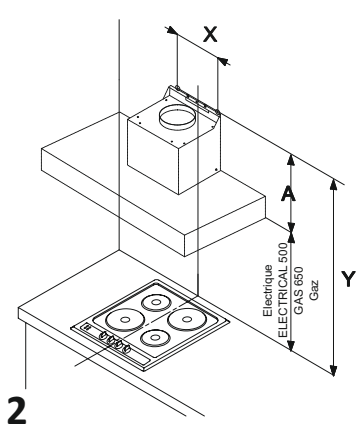
BY

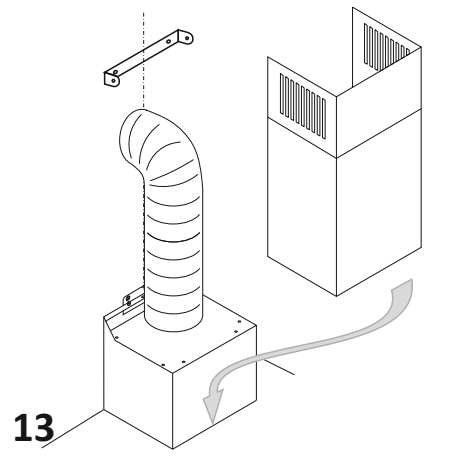
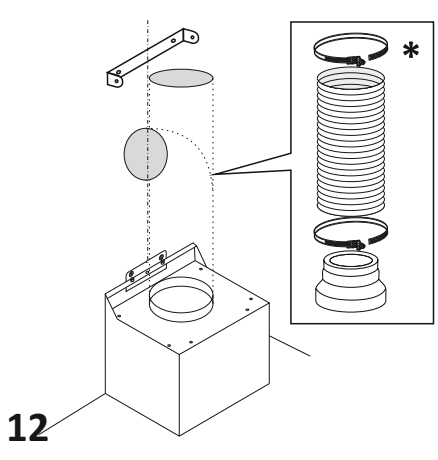
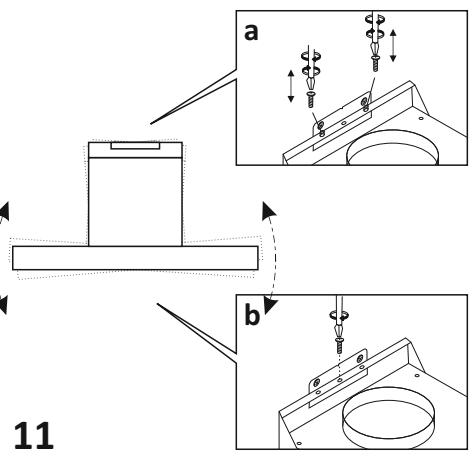
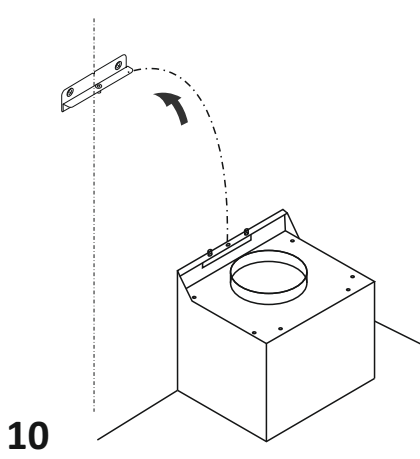
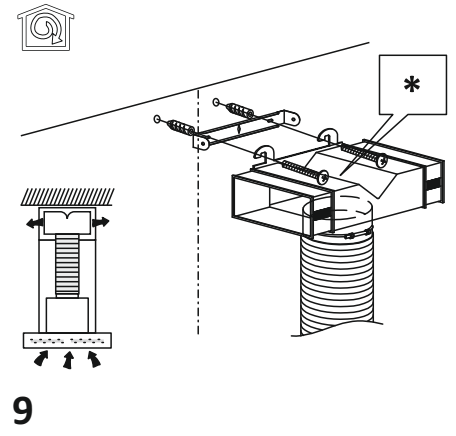
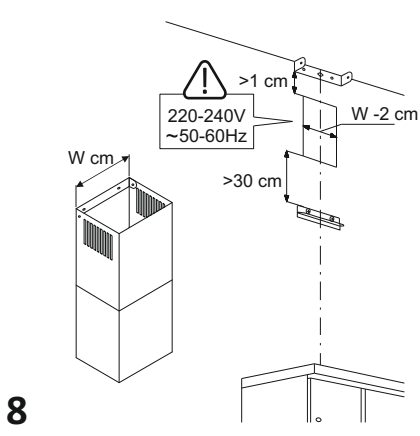
**STARCK®**

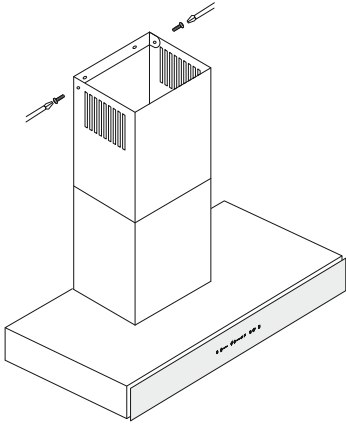
**S3 / WHI661STX**  
**S3 / WHI641ST**  
**S3 / WHI961STX**  
**S3 / WHI961ST**  
**S3 / WHT961STX**  
**S3 / WHT941ST**



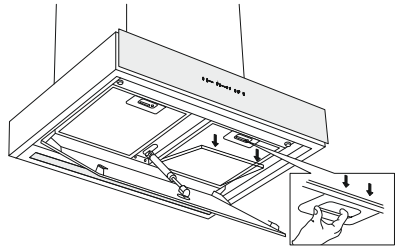
1



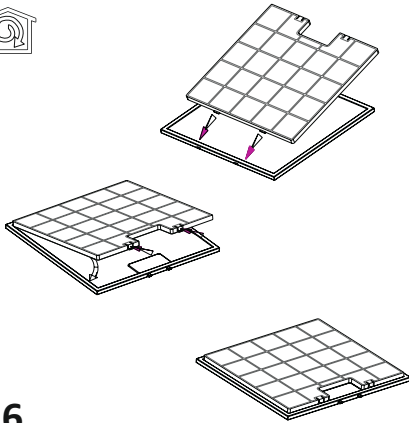




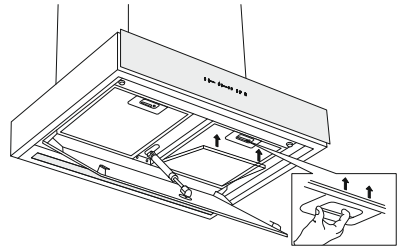
14



15



16



17

## EN - COOKER HOOD

Closely follow the instructions set out in this manual. All responsibility, for any eventual inconveniences, damages or fires caused by not complying with the instructions in this manual, is declined. The hood is conceived for the suction of cooking fumes and steam and is destined only for domestic use.

The hood can look different to that illustrated in the drawings in this booklet. The instructions for use, maintenance and installation, however, remain the same.

- ! It is important to conserve this booklet for consultation at any moment. In the case of sale, cession or move, make sure it is together with the product.
- ! Read the instructions carefully: there is important information about installation, use and safety.
- ! Do not carry out electrical or mechanical variations on the product or on the discharge conduits.
- ! Before proceeding with the installation of the appliance verify that there are no damaged all components. Otherwise contact your dealer and do not proceed with the installation.

**Note:** the elements marked with the symbol “(\*)” are optional accessories supplied only with some models or elements to purchase, not supplied.



### CAUTION

**WARNING!** Do not connect the appliance to the mains until the installation is fully complete.

Before any cleaning or maintenance operation, disconnect hood from the mains by removing the plug or disconnecting the mains electrical supply.

Always wear work gloves for all installation and maintenance operations.

The appliance is not intended for use by children or persons with impaired physical, sensorial or mental faculties, or if lacking in experience or knowledge, unless they are under supervision or have been trained in the use of the appliance by a person responsible for their safety.

This appliance is designed to be operated by adults, children should be monitored to ensure that they do not play with the appliance.

This appliance is designed to be operated by adults. Children should not be allowed to tamper with the controls or play with the appliance.

Never use the hood without effectively mounted grating!

The hood must NEVER be used as a support surface unless specifically indicated.

The premises where the appliance is installed must be sufficiently ventilated, when the kitchen hood is used together with other gas combustion devices or other fuels.

The ducting system for this appliance must not be connected to any existing ventilation system which is being used for any other purpose such as discharging exhaust fumes from appliances burning gas or other fuels.

The flaming of foods beneath the hood itself is severely prohibited.

The use of exposed flames is detrimental to the filters and may cause a fire risk, and must therefore be avoided in all circumstances.

Any frying must be done with care in order to make sure that the oil does not overheat and ignite. Accessible parts of the hood may become hot when used with cooking appliance.

With regards to the technical and safety measures to be adopted for fume discharging it is important to closely follow the regulations provided by the local authorities.

The hood must be regularly cleaned on both the inside and outside (AT LEAST ONCE A MONTH).

This must be completed in accordance with the maintenance instructions provided in this manual). Failure to follow the instructions provided in this user guide regarding the cleaning of the hood and filters will lead to the risk of fires.


Do not use or leave the hood without the lamp correctly mounted due to the possible risk of electric shocks.

We will not accept any responsibility for any faults, damage or fires caused to the appliance as a result of the non-observance of the instructions included in this manual.

This appliance is marked according to the European directive 2002/96/EC on Waste Electrical and Electronic Equipment

(WEEE). By ensuring this product is disposed of correctly, you will help prevent potential negative consequences for the environment and human health, which could otherwise be caused by inappropriate waste handling of this product.



The symbol  on the product, or on the documents accompanying the product, indicates that this appliance may not be treated as household waste. Instead it should be taken to the appropriate collection point for the recycling of electrical and electronic equipment. Disposal must be carried out in accordance with local environmental regulations for waste disposal.

For further detailed information regarding the process, collection and recycling of this product, please contact the appropriate department of your local authorities or the local department for household waste or the shop where you purchased this product.

Appliance designed, tested and manufactured according to:

1. Safety: EN/IEC 60335-1; EN/IEC 60335-2-31, EN/IEC 62233.
2. Performance: EN/IEC 61591; ISO 5167-1; ISO 5167-3; ISO 5168; EN/IEC 60704-1; EN/IEC 60704-2-13; ISO 3741; EN 50564; IEC 62301.
3. EMC: EN 55014-1; CISPR 14-1; EN 55014-2; CISPR 14-2; EN/IEC 61000-3-2; EN/IEC 61000-3-3.

Suggestions for a correct use in order to reduce the environmental impact: Switch ON the hood at minimum speed when you start cooking and kept it running for few minutes after cooking is finished. Increase the speed only in case of large amount of smoke and vapour and use boost speed(s) only in extreme situations. Replace the charcoal filter(s) when necessary to maintain a good odour reduction efficiency. Clean the grease filter(s) when necessary to maintain a good grease filter efficiency. Use the maximum diameter of the ducting system indicated in this manual to optimize efficiency and minimize noise.

Additional Installation Specifications:

Use only the fixing screws supplied with the product for installation or, if not supplied, purchase the correct screws type. Use the correct length for the screws which are identified in the Installation Guide.

In case of doubt, consult an authorised service assistance centre or similar qualified person.

**WARNING!** Failure to install the screws or fixing device in accordance with these instructions may result in electrical hazards.

## USE

The hood is designed to be used either for exhausting or filter version.



### Ducting version

In this case the fumes are conveyed outside of the building by means of a special pipe connected with the connection ring located on top of the hood.

Attention! The exhausting pipe is not supplied and must be purchased apart. Diameter of the exhausting pipe must be equal to that of the connection ring.

In the horizontal runs the exhausting pipe must be slightly slanted (about 10°) and directed upwards to vent the air easily from the room to the outside.

Attention! If the hood is supplied with active charcoal filter, then it must be removed.

Connect the hood and discharge holes on the walls with a diameter equivalent to the air outlet (connection flange).

Using the tubes and discharge holes on walls with smaller dimensions will cause a diminution of the suction performance and a drastic increase in noise.

Any responsibility in the matter is therefore declined.

- ! Use a duct of the minimum indispensable length.
- ! Use a duct with as few elbows as possible (maximum elbow angle: 90°).
- ! Avoid drastic changes in the duct cross-section.
- ! Use a duct as smooth as possible inside.
- ! The duct must be made of certified material.



## Filter version

One active charcoal filter is needed for this and can be obtained from your usual retailer.

The filter removes the grease and smells from the extracted air before sending it back into the room through the upper outlet grid.

## INSTALLATION

The minimum distance between the supporting surface for the cooking equipment on the hob and the lowest part of the range hood must be not less than 50cm from electric cookers and 65cm from gas or mixed cookers.

If the instructions for installation for the gas hob specify a greater distance, this must be adhered to.



## Electrical connection

The mains power supply must correspond to the rating indicated on the plate situated inside the hood. If provided with a plug connect the hood to a socket in compliance with current regulations and positioned in an accessible area, after installation. If it not fitted with a plug (direct mains connection) or if the plug is not located in an accessible area, after installation, apply a double pole switch in accordance with standards which assures the complete disconnection of the mains under conditions relating to over-current category III, in accordance with installation instructions.

Warning! Before re-connecting the hood circuit to the mains supply and checking the efficient function, always check that the mains cable is correctly assembled.

The hood is provided with a special power cable ; if the cable is damaged, request a new one from Technical Service.

## Mounting

Very heavy product; hood handling and installation must be carried out by at least two persons. Before beginning installation:

1. Check that the product purchased is of a suitable size for the chosen installation area.
2. Remove the charcoal (\*) filter/s if supplied (see also relative paragraph). This/these is/are to be mounted only if you want to use the hood in the filtering version.
3. Check (for transport reasons) that there is no other supplied material inside the hood (e.g. packets with screws (\*), guarantees (\*), etc.), eventually removing them and keeping them.
4. If possible, disconnect and move freestanding or slide-in range from cabinet opening to provide easier access to rear wall/ceiling. Otherwise put a thick, protective covering over countertop, cooktop or range to protect from damage and debris. Select a flat surface for assembling the unit. Cover that surface with a protective covering and place all canopy hood parts and hardware in it.
5. In addition check whether near the installation area of the hood (in the area accessible also with the hood mounted) an electric socket is available and it is possible to connect a fumes discharge device to the outside (only suction version).
6. Carry out all the masonry work necessary (e.g. installation of an electric socket and/or a hole for the passage of the discharge tube).

Expansion wall plugs are provided to secure the hood to most types of walls/ceilings. However, a qualified technician must verify suitability of the materials in accordance with the type of wall/ceiling. The wall/ceiling must be strong enough to take the weight of the hood. Do not tile, grout or silicone this appliance to the wall. Surface mounting only.



## OPERATION

Use the high suction speed in cases of concentrated kitchen vapours. It is recommended that the cooker hood suction is switched on for 5 minutes prior to cooking and to leave in operation during cooking and for another 15 minutes approximately after terminating cooking.

### WHI661STX, WHI641ST, WHI961STX, WHI961ST, WHT961STX, WHT941ST



To select the functions of the hood, simply touch the controls.

- T1. Standby mode (the control panel off • all functions disabled) / ON (control panel switched on)  
Note: After about a minute of inactivity (suction and lights), the hood will automatically switch to standby.
- T2. ON/OFF lights  
On certain models only (see drawing above):  
press repeatedly to select the desired light intensity:  
L1: low light  
L2: medium light  
L3: high light  
Press again to turn off the lights.
- T3. ON/OFF Automatic operation  
The hood automatically sets the suction speed (power) 1 to increase if the environmental conditions detected by the hood sensor require it.  
If there are no variations in the environmental conditions, after 10 minutes (if the hood is already in suction speed (power) 1), the hood turns off.  
Note: for a correct use of this function, first perform the "Setting of the parameters for Automatic Operation" (see corresponding paragraph).  
Note: During automatic operation, if the user acts on the other functions that adjust the speed, auto ventilation function is switched off.
- T4. Manual selection of the suction speed (power):  
L4: suction speed (power) 1  
L5: suction speed (power) 2  
L6: suction speed (power) 3  
Press again to turn off the hood (OFF).  
Note: manual selection excludes any other suction related set function.
- T5. ON/OFF Intensive suction speed (power) „POWER BOOST" • (timed)  
Note: After 5 minutes of operation the hood returns to its previous state.
- T6\*. (Only certain models ON/OFF intensive suction speed (power) „POWER BOOST x 2" • (timed)  
Note: After 5 minutes of operation, the hood goes back to the previous status.
- T7. ON/OFF operation mode "Air refresh"  
Every 50 minutes of inactivity, the suction speed (power 1 is turned on for 10 minutes.
- T8. ON/OFF Delayed switch off of the suction speed (power) (approx. 30 minutes)  
Note: this function is available for the speeds that can be selected with button T4.
- T9. Indicator and reset filter saturation  
The button lights on automatically with steady light when it is necessary to perform the grease filter maintenance. The button lights on automatically with flashing light when it is necessary to perform the charcoal filter maintenance.

After performing the maintenance, with the hood off and the button active, press the button for more than 3 seconds to perform the reset of the filter saturation indicator; repeat the operation if necessary (for ex., when both filters are saturated).

Activation of the charcoal filter saturation indicator

The saturation indicator of the charcoal filter is normally disabled. To activate it, proceed in the following manner:

With the display on (ON) and the suction off (OFF), press simultaneously the buttons T8 and T9 for more than 3 seconds; the button T9 lights on with steady light for approx. 5 seconds, to indicate the activation.

To disable it, repeat the operation; the button T9 will flash for approx. 5 seconds to indicate the disabling.

Setting of Automatic Operation parameters

For correct use of the automatic operation, perform "Hood Calibration" and "Selection of the hob".

## Hood Calibration

With the display on (ON) and the suction off (OFF), press button T4 for 5 seconds.

The suction speed (power) 2 starts functioning and button T4 flashes to indicate that hood calibration is initiated and it will last for approx. 15 minutes.

**Note:** to interrupt the calibration, press T4 for 5 seconds; the calibration will be invalidated and should therefore be repeated.

Selection of the cooktop

With the display on (ON) and the suction off (OFF), press button T3 for 5 seconds.

Model with 2 levels of intensive power T5 (POWER BOOST) e T6 (POWER BOOST x2)

Buttons T3, T5 and T6 light up.

Press the button T5 for the gas cooktop – the button flashes to indicate its selection.

Press the button T6 for the electric cooktop- the button flashes to indicate its selection.

Model with one level of intensive power T5 (POWER BOOST)

Buttons T3, T7 and T8 light up.

Press the button T7 for the gas cooktop – the button flashes to indicate its selection.

Press the button T8 for the electric cooktop- the button flashes to indicate its selection.

## MAINTENANCE

**ATTENTION!** Before performing any maintenance operation, isolate the hood from the electrical supply by switching off at the connector and removing the connector fuse.

Or if the appliance has been connected through a plug and socket, then the plug must be removed from the socket.

## Cleaning

The cooker hood should be cleaned regularly (at least with the same frequency with which you carry out maintenance of the fat filters) internally and externally. Clean using the cloth dampened with neutral liquid detergent. Do not use abrasive products. DO NOT USE ALCOHOL!

**WARNING:** Failure to carry out the basic cleaning recommendations of the cooker hood and replacement of the filters may cause fire risks.

Therefore, we recommend observing these instructions.

The manufacturer declines all responsibility for any damage to the motor or any fire damage linked to inappropriate maintenance or failure to observe the above safety recommendations.

## Grease filter

Traps cooking grease particles.

The grease filter must be cleaned once a month using non aggressive detergents, either by hand or in the dishwasher, which must be set to a low temperature and a short cycle. When washed in a dishwasher, the grease filter may discolour slightly, but this does not affect its filtering capacity.

To remove the grease filter, pull the spring release handle.

### **Charcoal filter (filter version only)**

It absorbs unpleasant odours caused by cooking.

The saturation of the charcoal filter occurs after more or less prolonged use, depending on the type of cooking and the regularity of cleaning of the grease filter.

In any case it is necessary to replace the cartridge at least every four months. The charcoal filter may NOT be washed or regenerated.

### **Replacing lamps**

The hood is equipped with a lighting system based on LED technology.

The LEDs guarantee an optimum lighting, a duration up to 10 times as long as the traditional lamps and allow to save 90% electrical energy.

For replacement, contact the technical service.

## ΑΠΟΡΡΟΦΗΤΗΡΑΣ ΚΟΥΖΙΝΑΣ

**Κατά την εγκατάσταση της συσκευής θα πρέπει ακολουθείτε τις οδηγίες που περιέχονται στον παρόν εγχειρίδιο.** Ο κατασκευαστής δε φέρει καμία απολύτως ευθύνη για ζημιές που προκύπτουν ως αποτέλεσμα εγκατάστασης αντίθετης με τις οδηγίες που περιέχονται στο παρόν εγχειρίδιο. Ο απορροφητήρας χρησιμοποιείται για την απορρόφηση των ατμών της κουζίνας και προορίζεται αποκλειστικά για οικιακή χρήση. **Ο απορροφητήρας μπορεί να διαφέρει από άποψη εμφάνισης από τον απορροφητήρα που παρουσιάζεται στις εικόνες που απεικονίζονται στο παρόν εγχειρίδιο, αλλά οι οδηγίες που αφορούν την χρήση, την συντήρηση και την εγκατάσταση παραμένουν αμετάβλητες.**

- ! Φυλάξτε τις οδηγίες χρήσης για να μπορείτε να τις συμβουλευτείτε ανά πάσα στιγμή. Σε περίπτωση πώλησης της συσκευής ή μετακόμισης, θα πρέπει να βεβαιωθείτε ότι οι οδηγίες περιλαμβάνονται με το προϊόν.
- ! Διαβάστε προσεκτικά το περιεχόμενο του εγχειριδίου, το οποίο παρέχει λεπτομερείς πληροφορίες σχετικά με την εγκατάσταση, την χρήση και την συντήρηση της συσκευής.
- ! Μην εκτελέσετε ηλεκτρικές και μηχανικές μετατροπές στην συσκευή ή στους αγωγούς καθόδου.
- ! Πριν προχωρήσετε στην εγκατάσταση της συσκευής, ελέγξτε μήπως κάποιο εξάρτημα έχει υποστεί ζημιά. Σε περίπτωση που έχει υποστεί, επικοινωνήστε με τον προμηθευτή της και μην συνεχίσετε την εγκατάσταση.

**Σημείωση:** Τα στοιχεία που επισημαίνονται με το σύμβολο "(\*)" παρέχονται μόνο σε επιλεγμένα μοντέλα, σε κάθε άλλη περίπτωση θα πρέπει να αγοραστούν ξεχωριστά.



### ΠΡΟΕΙΔΟΠΟΙΗΣΕΙΣ

**Προσοχή!** Μην συνδέσετε τη συσκευή στο ηλεκτρικό δίκτυο πριν την ολοκλήρωση της εγκατάστασης.

Πριν από οποιοδήποτε ενέργεια καθαρισμού ή συντήρησης, αποσυνδέστε τον απορροφητήρα από την παροχή ηλεκτρικού ρεύματος, αφαιρώντας το βύσμα από την πρίζα ή κλείνοντας τον κεντρικό διακόπτη τροφοδοσίας.

Όλες οι εργασίες εγκατάστασης και συντήρησης πρέπει να εκτελούνται με προστατευτικά γάντια.

Η συσκευή αυτή δεν προορίζεται για χρήση από άτομα (συμπεριλαμβανομένων και των παιδιών) με μειωμένες σωματικές, αισθητηριακές ή διανοητικές ικανότητες, ενώ δεν κατέχουν την γνώση και την εμπειρία για την χρήση συσκευών τέτοιου τύπου, εκτός και αν επιβλέπονται ή καθοδηγούνται για την χρήση της συσκευής από άτομο υπεύθυνο για την ασφάλειά τους.

Τα παιδιά πρέπει να επιβλέπονται για να σιγουρευτείτε ότι δεν παίζουν με την συσκευή. Μην χρησιμοποιείτε τον απορροφητήρα χωρίς την σωστή εγκατάσταση των φίλτρων!

Ο απορροφητήρας δεν πρέπει ΠΟΤΕ να χρησιμοποιηθεί ως επιφάνεια στήριξης, εκτός εάν αυτή η δυνατότητα ορίζεται με σαφήνεια. Ο χώρος στον οποίο χρησιμοποιείται ο απορροφητήρας, μαζί με άλλες συσκευές καύσης αερίου ή άλλου καυσίμου, θα πρέπει να διαθέτει τον κατάλληλο εξαερισμό.

Η αέρας που απορροφάται δεν πρέπει να οδηγείται μέσω του συστήματος που χρησιμοποιείται για την εκκένωση των καυσαερίων που παράγονται από συσκευές αερίων ή άλλου καυσίμου.

Απαγορεύεται αυστηρά η προετοιμασία φαγητού κάτω από τον απορροφητήρα με τη χρήση γυμνής φλόγας (φλαμπέ).

Η χρήση της γυμνής φλόγας είναι επικίνδυνη για τα φίλτρα και προκαλεί κίνδυνο πυρκαγιάς και ως εκ τούτου δεν επιτρέπεται σε καμία περίπτωση. Κατά το τηγάνισμα να είστε προσεκτικοί ώστε να αποφευχθεί η υπερθέρμανση του λαδιού, και να μην δημιουργηθεί αυτανάφλεξη. Τα προσβάσιμα μέρη μπορεί να υπερθερμανθούν εάν χρησιμοποιηθούν μαζί με συσκευές μαγειρέματος.

Σχετικά με τις τεχνικές και τα μέτρα ασφαλείας που πρέπει να ληφθούν για την εξαγωγή των καυσαερίων, θα πρέπει να τηρηθούν αυστηρά οι κανονισμοί που εκδίδονται από τις αρμόδιες τοπικές αρχές.

Ο απορροφητήρας πρέπει να καθαρίζεται συχνά, τόσο εξωτερικά όσο και εσωτερικά (ΤΟΥΛΑΧΙΣΤΟΝ ΜΙΑ ΦΟΡΑ ΤΟ ΜΗΝΑ, ακολουθώντας τις οδηγίες συντήρησης που παρέχονται στο παρόν εγχειρίδιο).


Η μη συμμόρφωση με τους κανόνες που αφορούν τον καθαρισμό του απορροφητήρα καθώς και της αντικατάστασης και του καθαρισμού των φίλτρων, δημιουργεί κίνδυνο εμφάνισης πυρκαγιάς.

Για να αποφευχθεί ο κίνδυνος ηλεκτροπληξίας, δεν θα πρέπει να χρησιμοποιείτε ή να αφήνετε τον απορροφητήρα χωρίς την σωστή εγκατάσταση των λαμπτήρων. Ο κατασκευαστής δεν φέρει καμία ευθύνη για τυχών ζημιές ή πυρκαγιάς που προκαλούνται από την συσκευή και προκύπτουν από την μη τήρηση των οδηγιών του παρόντος εγχειριδίου.

Η συσκευή αυτή διαθέτει σήμανση σύμφωνα με την Οδηγία της ΕΕ 2002/96/ΕΚ σχετικά με τον άχρηστο ηλεκτρικό και ηλεκτρονικό εξοπλισμό (WEEE).

Εξασφαλίζοντας την σωστή απόρριψη της παρούσας συσκευής, συμβάλετε στην αποτροπή εμφάνισης αρνητικών συνεπειών για το περιβάλλον και την ανθρώπινη υγεία, οι οποίες θα μπορούσαν να εμφανιστούν από την ακατάλληλη απόρριψη της συσκευής.



Το σύμβολο  πάνω στην συσκευή ή στην συσκευασία, υποδεικνύει ότι το προϊόν δεν πρέπει να αντιμετωπίζεται όπως τα άλλα αστικά απόβλητα. Θα πρέπει να παραδώσετε τη συσκευή στο κατάλληλο σημείο συλλογής και ανακύκλωσης ηλεκτρικού και ηλεκτρονικού εξοπλισμού. Η σωστή απόρριψη και ανακύκλωση συμβάλλει στην αποτροπή αρνητικών συνεπειών στο περιβάλλον και στην υγεία. Για λεπτομερείς πληροφορίες σχετικά με την ανακύκλωση αυτού του προϊόντος, επικοινωνήστε με την τοπική υπηρεσία της πόλης σας, την υπηρεσία αποκομιδής αστικών απορριμμάτων ή με το κατάστημα από το οποίο έγινε η αγορά του.

Η συσκευή έχει σχεδιαστεί, δοκιμαστεί και κατασκευαστεί σύμφωνα με τους ακόλουθους όρους:

- Ασφάλεια: EN/IEC 60335-1; EN/IEC 60335-2-31, EN/IEC 62233.
- Απόδοση: EN/IEC 61591; ISO 5167-1; ISO 5167-3; ISO 5168; EN/IEC 60704-1; EN/IEC 60704-2-13; ISO 3741; EN 50564; IEC 62301.
- EMC: EN 55014-1; CISPR 14-1; EN 55014-2; CISPR 14-2; EN/IEC 61000-3-2; EN/IEC 61000-3-3.

Προτάσεις κατάλληλης χρήσης προκειμένου οι αρνητικές επιπτώσεις στο περιβάλλον:

Ενεργοποιείτε τον απορροφητήρα στην ελάχιστη ταχύτητα λειτουργίας κατά την έναρξη του μαγειρέματος και αφήνετέ τον ενεργοποιημένο για μερικά λεπτά μετά το τέλος του μαγειρέματος. Αυξάνετε την ταχύτητα μόνο σε περίπτωση μεγάλης ποσότητας καπνού και ατμού, ενώ χρησιμοποιείτε τις υψηλές ταχύτητες μόνο σε ακραίες καταστάσεις. Εάν χρειαστεί, αντικαταστήστε το φίλτρο/τα φίλτρα άνθρακα, ώστε να διατηρηθεί η αποτελεσματική μείωση των οσμών. Εάν κριθεί απαραίτητο, καθαρίστε το φίλτρο/τα φίλτρα άνθρακα, για να διατηρηθεί η καλή απόδοση του φίλτρου για τα λίπη. Χρησιμοποιείτε τη μέγιστη διάμετρο του συστήματος εξερισμού που αναφέρεται στο παρόν εγχειρίδιο, για την βελτιστοποίηση της απόδοσης και την ελαχιστοποίηση του θορύβου.

**ΠΡΟΣΟΧΗ!** Η μη σύμφιξη των βιδών και των εξαρτημάτων στερέωσης σύμφωνα με το παρόν εγχειρίδιο, μπορεί να προκαλέσει κινδύνους ηλεκτρικής φύσεως.

## ΧΕΙΡΙΣΜΟΣ

Η συσκευή μπορεί να χρησιμοποιηθεί ως εξεριστήρας (εξαγωγή των ατμών προς τα έξω) ή ως απορροφητήρας (οι ατμοί φιλτράρονται και προωθούνται και πάλι στο χώρο).



### Απορροφητήρας εξαγωγής του αέρα

Οι ατμοί απομακρύνονται προς τα έξω μέσω ενός σωλήνα που συνδέεται με τον δακτύλιο σύνδεσης. Η διάμετρος του σωλήνα εξαγωγής πρέπει να είναι ίδια με την διάμετρο του δακτυλίου σύνδεσης.

**Προσοχή!** Ο σωλήνας εξαγωγής δεν συμπεριλαμβάνεται μαζί με την συσκευή και πρέπει να αγοραστεί ξεχωριστά.

Στο οριζόντιο μέρος ο σωλήνας πρέπει να έχει μια ελαφρά κλίση προς τα πάνω (περίπου 10°), έτσι ώστε να διευκολύνεται η διαφυγή του αέρα προς τα έξω. Εάν ο απορροφητήρας είναι εφοδιασμένος με φίλτρα άνθρακα, θα πρέπει να αφαιρεθούν.

Συνδέστε τον απορροφητήρα στον αγωγό εξερισμού μέσω του σωλήνα εξαγωγής με διάμετρο ίση με το μέγεθος του στομίου του απορροφητήρα (δακτύλιος σύνδεσης).

Η χρήση σωλήνων μικρότερης διατομής, προκαλεί την μείωση της απόδοσης απορρόφησης καθώς και την δραστηκή αύξηση του θορύβου του απορροφητήρα.

Ο κατασκευαστής ως εκ τούτου, δεν φέρει καμία ευθύνη σε αυτή την περίπτωση.

! Χρησιμοποιήστε όσο το δυνατόν μικρότερο σωλήνα.

! Χρησιμοποιείτε ένα σωλήνα με όσο το δυνατόν μικρότερη κάμψη (μέγιστη γωνία κάμψης: 90°).

! Αποφύγετε τις δραστηκές αλλαγές στην διατομή του σωλήνα.

! Χρησιμοποιείτε ένα σωλήνα με όσο το δυνατόν ομαλότερη εσωτερική επιφάνεια.

! Το υλικό του σωλήνα πρέπει να είναι σύμφωνο με τα ισχύοντα πρότυπα.



## Απορροφητήρας επανεισαγωγής του αέρα

Για να χρησιμοποιήσετε τον απορροφητήρα σε αυτή την έκδοση θα πρέπει να εγκαταστήσετε το φίλτρο άνθρακα.

Μπορείτε να το αγοράσετε από τον πωλητή της συσκευής.

Ο απορροφούμενος αέρας καθαρίζεται από τα λίπη και τις οσμές προτού επιστρέψει και πάλι στο χώρο μέσω του πλέγματος στο πάνω κάλυμμα της καμινάδας.

## ΤΟΠΟΘΕΤΗΣΗ ΑΠΟΡΡΟΦΗΤΗΡΑ

Η ελάχιστη απόσταση μεταξύ της επιφάνειας στην οποία βρίσκονται τα σκεύη πάνω στην συσκευή μαγειρέματος και του χαμηλότερου μέρους του απορροφητήρα κουζίνας, θα πρέπει να ανέρχεται όχι λιγότερο από 50 εκ. στην περίπτωση ηλεκτρικών κουζινών και όχι λιγότερο από 65 εκ. στην περίπτωση κουζινών αερίου ή μεικτού τύπου.

Εάν στο εγχειρίδιο εγκατάστασης της κουζίνας αερίου δίνεται μεγαλύτερη απόσταση, θα πρέπει να συμμορφώσετε σύμφωνα με αυτήν.



## Ηλεκτρική σύνδεση

Η τάση του ηλεκτρικού δικτύου πρέπει να αντιστοιχεί με την τάση που ορίζεται στον πίνακα που βρίσκεται στο εσωτερικό του απορροφητήρα. Εάν ο απορροφητήρας είναι εξοπλισμένος με φως, πρέπει να τον συνδέσετε σε μια πρίζα σύμφωνη με τους ισχύοντες κανονισμούς, η οποία να βρίσκεται σε εύκολα προσβάσιμο μέρος, επίσης μετά την ολοκλήρωση της εγκατάστασης.

Εάν ο απορροφητήρας δεν είναι εξοπλισμένος με φως (απευθείας σύνδεση με το δίκτυο) ή το φως δεν βρίσκεται σε εύκολα προσβάσιμο μέρος, επίσης μετά την ολοκλήρωση της εγκατάστασης, θα πρέπει να χρησιμοποιήσετε ένα τυποποιημένο διπολικό διακόπτη, που θα καθιστά δυνατή την πλήρη αποσύνδεση από το ηλεκτρικό δίκτυο σε συνθήκες υπερτάσεως ρεύματος κατηγορίας III, σύμφωνα με τους κανόνες εγκατάστασης.

**Προσοχή!** Πριν την επανασύνδεση του ηλεκτρικού κυκλώματος του απορροφητήρα στην παροχή ρεύματος και τον έλεγχο της ορθής λειτουργίας του, πρέπει να ελέγχετε πάντα εάν το καλώδιο τροφοδοσίας είναι σωστά εγκατεστημένο.

Ο απορροφητήρας είναι εφοδιασμένος με ένα ειδικό καλώδιο τροφοδοσίας.

Σε περίπτωση φθοράς αυτού του καλώδιου, θα πρέπει να το παραγγείλετε από το γραφείο υπηρεσιών επισκευών.

## Εγκατάσταση απορροφητήρα

Η συσκευή είναι πολύ βαριά. Η μετακίνηση και η εγκατάσταση του απορροφητήρα πρέπει να γίνεται από τουλάχιστον δυο άτομα.

Πριν προχωρήσετε στην εγκατάσταση:

- Ελέγξτε εάν οι διαστάσεις του προϊόντος που αγοράσατε είναι ανάλογες με το επιλεγμένο σημείο εγκατάστασης.
- Αφαιρέστε το φίλτρο άνθρακα (\*), εάν είναι με αυτό εφοδιασμένο (βλέπε αντίστοιχο κεφάλαιο). Το φίλτρο πρέπει να τοποθετηθεί εκ νέου μόνο σε περίπτωση που ο απορροφητήρας χρησιμοποιείται στην έκδοση φιλτραρίσματος του αέρα.
- Ελέγξτε μήπως στο εσωτερικό του απορροφητήρα δεν έχει απομείνει (λόγω μεταφοράς) κάποιο επιπρόσθετο υλικό που παρέχεται μαζί με την συσκευή (για παράδειγμα σκαουλάκι με τις βίδες (\*), κάρτα εγγύησης (\*), κτλ), αφαιρέστε το και φυλάξτε το.
- Εάν είναι δυνατόν, αποσυνδέστε και αφαιρέστε τα έπιπλα που βρίσκονται κοντά στην εγκατάσταση του απορροφητήρα, προκειμένου να έχετε εύκολη πρόσβαση στην οροφή/στον τοίχο, στον/η οποίο/α θα τοποθετηθεί ο απορροφητήρας. Σε αντίθετη περίπτωση θα πρέπει να προστατεύσετε όσο το δυνατόν καλύτερα τα έπιπλα και όλα τα μέρη από οποιαδήποτε τυχαία ζημιά.
- Επιλέξτε μια επίπεδη επιφάνεια πάνω στην οποία θα στηρίζεται ο απορροφητήρας και τα εξαρτήματα, και καλύψτε την με ένα προστατευτικό κάλυμμα.
- Επιπλέον, ελέγξτε εάν κοντά στην περιοχή εγκατάστασης του απορροφητήρα (στο μέρος που είναι προσβάσιμο και μετά την εγκατάσταση του απορροφητήρα) υπάρχει διαθέσιμη ηλεκτρική πρίζα και αν μπορείτε να συνδέσετε τον απορροφητήρα σε μια συσκευή που οδηγεί τους ατμούς προς τα έξω (μόνο στην έκδοση φιλτραρίσματος).

Εκτελέστε όλες τις απαραίτητες εργασίες τοιχοποιίας (π.χ.: εγκατάσταση ηλεκτρικής πρίζας και/ή οπή για το πέρασμα του σωλήνα εξαγωγής των ατμών).

Ο απορροφητήρας είναι εφοδιασμένος με ούπα στερέωσης κατάλληλα για τους περισσότερους τοίχους και οροφές. Είναι απαραίτητη ωστόσο η συμβουλή από έναν καταρτισμένο τεχνικό, ώστε να ελέγξει την καταλληλότητα των υλικών, σύμφωνα με τον τύπο του τοίχου ή της οροφής. Ο τοίχος ή η οροφή πρέπει να είναι αρκετά σταθερός/ή και γερός/ή για να μπορεί να συγκρατήσει το βάρος του απορροφητήρα.

## ΛΕΙΤΟΥΡΓΙΑ ΤΟΥ ΑΠΟΡΡΟΦΗΤΗΡΑ

Σε περίπτωση που στον χώρο της κουζίνας υπάρχει ιδιαίτερα μεγάλη συγκέντρωση ατμού, πρέπει να χρησιμοποιήσετε τον απορροφητήρα στην υψηλότερη ταχύτητα. Συνιστάται η ενεργοποίηση του απορροφητήρα 5 λεπτά πριν το μαγείρεμα οποιουδήποτε φαγητού και η παραμονή του σε ενεργοποίηση περίπου ακόμη 15 λεπτά μετά το τέλος του μαγειρέματος.

### WHI661STX, WHI641ST, WHI961STX, WHI961ST, WHT961STX, WHT941ST

T1	T2	T3	T4	T5	T6*	T7	T8	T8
	  		 					

Για να επιλέξετε τις λειτουργίες του απορροφητήρα αρκεί να αγγίξετε ελαφρά την ένδειξη:

**T1. Stand by** (πίνακας ελέγχου απενεργοποιημένος – όλες οι λειτουργίες είναι απενεργοποιημένες) / **ON** (πίνακας ελέγχου ενεργοποιημένος)

**Σημείωση:** Μετά από περίπου ένα λεπτό αδράνειας του απορροφητήρα (απορρόφηση και φωτισμός) επιστρέφει αυτόματα στη θέση stand/by.

**T2. ON/OFF φωτισμού**

**Μόνο σε ορισμένα μοντέλα (βλέπε το σχήμα παραπάνω):**

Πιέστε επανειλημμένα για να επιλέξετε την επιθυμητή ένταση φωτεινότητας:

**L1:** χαμηλός φωτισμός

**L2:** μέτριος φωτισμός

**L3:** υψηλός φωτισμός

Πατήστε ξανά για να σβήσετε το φωτισμό.

**T3. ON/OFF Αυτόματη λειτουργία**

Ο απορροφητήρας ρυθμίζει αυτόματα την ταχύτητα (ισχύς) απορρόφησης, στο 1 για να αυξηθεί, εάν το απαιτούν οι συνθήκες του περιβάλλοντος που ανιχνεύονται από τον αισθητήρα του απορροφητήρα.

Αν δεν υπάρχουν μεταβολές στις συνθήκες του περιβάλλοντος μετά από 10 λεπτά (εάν ο απορροφητήρας έχει αποκτήσει ήδη ταχύτητα (ισχύς) απορρόφησης 1), ο απορροφητήρας απενεργοποιείται.

**Σημείωση:** για να εξασφαλιστεί η σωστή χρήση αυτής της λειτουργίας, θα πρέπει αρχικά να εκτελεστεί η **"Ρύθμιση των παραμέτρων της Αυτόματης Λειτουργίας"** (βλέπε αντίστοιχη παράγραφο).

**Σημείωση:** Κατά την αυτόματη λειτουργία εάν ο χρήστης ενεργοποιήσει άλλες λειτουργίες οι οποίες ρυθμίζουν την ταχύτητα, η λειτουργία αυτόματου εξαιρισμού απενεργοποιείται.

**T4. Χειροκίνητη επιλογή ταχύτητας (ισχύς) απορρόφησης:**

**L4:** ταχύτητα (ισχύς) απορρόφησης 1

**L5:** ταχύτητα (ισχύς) απορρόφησης 2

**L6** ταχύτητα (ισχύς) απορρόφησης 3

Πιέστε ξανά για να απενεργοποιήσετε τον απορροφητήρα (OFF).

**Σημείωση:** Η χειροκίνητη επιλογή αποκλείει οποιαδήποτε άλλη ρυθμισμένη λειτουργία σχετική με την απορρόφηση.

**T5. ON/OFF ταχύτητα (ισχύς) εντατική απορρόφηση "POWER BOOST"** (χρονική ρύθμιση)

**Σημείωση:** Μετά από 5 λεπτά λειτουργίας ο απορροφητήρας επιστρέφει στις προηγούμενες ρυθμίσεις.

**T6\* (Μόνο σε ορισμένα μοντέλα) ON/OFF ταχύτητα (ισχύς) εντατικής απορρόφησης "POWER BOOST x 2"** (χρονική ρύθμιση)

**Σημείωση:** Μετά από 5 λεπτά λειτουργίας ο απορροφητήρας επιστρέφει στις προηγούμενες ρυθμίσεις.

**T7. ON/OFF τρόπος λειτουργίας "Εναλλαγή αέρα"**

Κάθε 50 λεπτά αδράνειας, ενεργοποιείται η ταχύτητα (ισχύς) απορρόφησης στο 1 για 10 λεπτά.

**T8. ON/OFF Καθυστέρηση απενεργοποίησης** ταχύτητας (ισχύς) απορρόφησης (περίπου 30 λεπτά)

**Σημείωση:** αυτή η λειτουργία είναι διαθέσιμη για ταχύτητες που επιλέγονται με το πλήκτρο **T4**.

**T9. Ενδείκτης και επαναφορά κορεσμού φίλτρων**

Το πλήκτρο ενεργοποιείται αυτόματα με συνεχές φως, όταν είναι απαραίτητη η συντήρηση του φίλτρου λίπους. Το πλήκτρο ενεργοποιείται αυτόματα με φως που αναβοσβήνει, όταν είναι απαραίτητη η συντήρηση του φίλτρου άνθρακα.

Μετά την εκτέλεση της συντήρησης, σε απενεργοποιημένο απορροφητήρα και ενεργό πλήκτρο, πιέστε το πλήκτρο για περισσότερο από 3 δευτερόλεπτα για να επαναφέρετε τον δείκτη κορεσμού φίλτρων, επαναλάβετε τη διαδικασία εάν είναι απαραίτητο (π.χ. εάν είναι κορεσμένα και τα δύο φίλτρα).

#### **Ενεργοποίηση ένδειξης κορεσμού φίλτρου άνθρακα**

Ο δείκτης κορεσμού του φίλτρου άνθρακα είναι συνήθως απενεργοποιημένος.

Για να τον ενεργοποιήσετε, ακολουθήστε την εξής διαδικασία:

Με ενεργοποιημένη την οθόνη (ON) και απενεργοποιημένη την διαδικασία απορρόφησης (OFF) πιέστε ταυτόχρονα τα πλήκτρα **T8** και **T9** πάνω από 3 δευτερόλεπτα, το πλήκτρο **T9** ανάβει **με συνεχές φως** για περίπου 5 δευτερόλεπτα για να υποδείξει την ενεργοποίηση. Για να το απενεργοποιήσετε, πρέπει να επαναλάβετε τη διαδικασία, το πλήκτρο **T9** θα αναβοσβήνει για περίπου 5 δευτερόλεπτα για να υποδείξει την απενεργοποίηση.

#### **Ρύθμιση παραμέτρων για Αυτόματη λειτουργία**

Για να διασφαλιστεί η σωστή αυτόματη λειτουργία θα πρέπει να εκτελέσετε "Διακρίβωση του απορροφητήρα" και "Επιλογή της εστίας μαγειρέματος".

#### **Διακρίβωση απορροφητήρα**

Με ενεργοποιημένη την οθόνη (ON) και απενεργοποιημένη τη διαδικασία απορρόφησης (OFF), πιέστε το πλήκτρο **T4** για 5 δευτερόλεπτα.

Η ταχύτητα (ισχύς) απορρόφησης 2 ξεκινά να λειτουργεί και το πλήκτρο **T4** αναβοσβήνει για να υποδείξει, ότι έχει ξεκινήσει η διαδικασία διακρίβωσης του απορροφητήρα, η οποία θα διαρκέσει περίπου 15 λεπτά.

**Σημείωση:** για να διακόψετε την διακρίβωση, πιέστε το πλήκτρο **T4** για 5 δευτερόλεπτα· η διακρίβωση ακυρώνεται και θα πρέπει να επαναληφθεί.

#### **Επιλογή εστίας μαγειρέματος**

Με ενεργοποιημένη την οθόνη (ON) και απενεργοποιημένη τη διαδικασία απορρόφησης (OFF), πιέστε το πλήκτρο **T3** για 5 δευτερόλεπτα.

#### **Μοντέλο με 2 επίπεδα εντατικής ισχύος T5 (POWER BOOST) και T6 (POWER BOOST x 2)**

Τα πλήκτρα **T3**, **T5** και **T6** ανάβουν.

Πιέστε το πλήκτρο **T5** σε περίπτωση μαγειρικής εστίας γκαζιού - το πλήκτρο αναβοσβήνει για να επιβεβαιώσετε την επιλογή σας. Πιέστε το πλήκτρο **T6** σε περίπτωση ηλεκτρικής εστίας μαγειρέματος - το πλήκτρο αναβοσβήνει για να επιβεβαιώσετε την επιλογή σας.

#### **Μοντέλο με 1 επίπεδο εντατικής ισχύος T5 (POWER BOOST)**

Τα πλήκτρα **T3**, **T7** και **T8** ανάβουν.

Πιέστε το πλήκτρο **T7** σε περίπτωση μαγειρικής εστίας γκαζιού - το πλήκτρο αναβοσβήνει για να επιβεβαιώσετε την επιλογή σας. Πιέστε το πλήκτρο **T8** σε περίπτωση ηλεκτρικής εστίας μαγειρέματος - το πλήκτρο αναβοσβήνει για να επιβεβαιώσετε την επιλογή σας.

## **ΣΥΝΤΗΡΗΣΗ**

**Προσοχή!** Πριν από οποιαδήποτε ενέργεια καθαρισμού ή συντήρησης, αποσυνδέστε τον απορροφητήρα από την παροχή ηλεκτρικού ρεύματος, αφαιρώντας το βύσμα από την πρίζα ή κλείνοντας τον κεντρικό διακόπτη τροφοδοσίας.

#### **Καθαρισμός απορροφητήρα**

Ο απορροφητήρας πρέπει να καθαρίζεται τακτικά, τόσο εσωτερικά όσο και εξωτερικά (τουλάχιστον με την ίδια συχνότητα με την οποία εκτελείται ο καθαρισμός των φίλτρων λίπους) με τη χρήση ενός υγρού πανιού με ουδέτερο μέσο καθαρισμού. Μην χρησιμοποιείτε λειαντικά προϊόντα.

**ΜΗΝ ΧΡΗΣΙΜΟΠΟΙΕΙΤΕ ΑΛΚΟΟΛΗ!**



**Προσοχή:** Η μη συμμόρφωση με τους κανόνες που αφορούν τον καθαρισμό της συσκευής και την αντικατάσταση των φίλτρων, δημιουργεί κίνδυνο πυρκαγιάς. Γι' αυτό συνιστάται η τήρηση των παρεχόμενων οδηγιών.

Ο κατασκευαστής δεν φέρει καμία ευθύνη για τυχών ζημιές στο μοτέρ ή πυρκαγιές που προκύπτουν από τη μη συμμόρφωση με τους κανόνες συντήρησης και τις οδηγίες που αναφέρονται παραπάνω.

### **Φίλτρο κατακράτησης λίπους**

Κατακρατεί τα σαμπάνια λίπους από το μαγείρεμα.

Θα πρέπει να καθαρίζεται τουλάχιστον μια φορά το μήνα, με τη χρήση καθαριστικού απορρυπαντικού μη καυστικού, είτε με το χέρι είτε στο πλυντήριο πιάτων σε χαμηλή θερμοκρασία και σε σύντομο κύκλο πλύσεως.

Το πλύσιμο του μεταλλικού φίλτρου λίπους στο πλυντήριο πιάτων, μπορεί να του προκαλέσει ελαφρύ αποχρωματισμό, αυτό ωστόσο δεν επηρεάζει τους παραμέτρους λειτουργίας του.

Για να αφαιρέσετε το φίλτρο λίπους, τραβήξτε την λαβή απελευθέρωσης.

### **Φίλτρο άνθρακα (μόνο στην έκδοση φιλτραρίσματος)**

Απορροφά τις δυσάρεστες οσμές που προέρχονται από το μαγείρεμα.

Ο κορεσμός του φίλτρου ακολουθεί μετά από μικρή ή μεγάλη περίοδο χρήσης του, ανάλογα με το είδος της κουζίνας και ανάλογα με την συχνότητα με την οποία γίνεται ο καθαρισμός του φίλτρου λίπους. Το στοιχείο του φίλτρου πρέπει να αντικαθίσταται οπωσδήποτε τουλάχιστον κάθε τέσσερις μήνες.

Δεν επιτρέπεται το πλύσιμο ή η αναζωογόνηση του φίλτρου

### **Αντικατάσταση λαμπτήρων**

Ο απορροφητήρας είναι εξοπλισμένος με σύστημα φωτισμού, ο οποίος βασίζεται στην τεχνολογία LED.

Οι λάμπες LED εξασφαλίζουν βέλτιστο φωτισμό, διάρκεια ζωής 10 φορές μεγαλύτερη από τις παραδοσιακές λάμπες και εξοικονόμηση ηλεκτρικής ενέργειας έως και 90%.

Για την αντικατάστασή τους, επικοινωνήστε με την υπηρεσία τεχνικής υποστήριξης.

## ES - CAMPANA EXTRACTORA

Atégase estrictamente a las instrucciones del presente manual. Se declina cada responsabilidad por eventuales inconvenientes, daños o incendios provocados al aparato originados por la inobservancia de las instrucciones colocadas en este manual. La campana extractora ha sido ideada para la aspiración de humos y vapores producidos durante la cocción y para el uso doméstico.

La campana puede ser diferente con respecto a los dibujos de este manual, aunque las instrucciones para su uso, la manutención y la instalación son las mismas.

- ! Es importante guardar este manual para poder consultar si fuera necesario. En el caso de venta, de inutilidad o de mudanza, asegurarse que quede junto al producto.
- ! Leer atentamente las instrucciones: contiene importantes informaciones sobre la instalación, el uso y la seguridad.
- ! No realizar variaciones eléctricas o mecánicas en el producto o en el tubo de escape.
- ! Antes de instalar el aparato, controlar que todas sus partes no estén dañadas. En caso contrario llamar al revendedor y no realizar la instalación.

**NOTA:** Los particulares señalados con el símbolo “(\*)” son accesorios opcionales preestipulados solo en algunos modelos o no preestipulados, que deben comprarse aparte.



### ADVERTENCIAS

**Atención!** No conectar el aparato a la red eléctrica hasta que la instalación fue completada.

Antes de cualquier operación de limpieza o mantenimiento, desenchufar la campana o el interruptor general de la casa. Todas las operaciones de instalación y mantenimiento se deben realizar utilizando guantes de trabajo.

El aparato no está destinado para el uso por parte de los niños o personas con problemas físicos o mentales y sin experiencia y conocimientos a menos que no sea bajo la supervisión de profesionales, o por una persona responsable de su seguridad.

Los niños deben ser controlados para evitar que jueguen con el aparato. Nunca utilizar la campana sin la parrilla correctamente montada!

La campana no debe ser nunca utilizada como plano de apoyo solo si es expresamente indicado.

El ambiente debe poseer suficiente ventilación, cuando la campana de cocina es utilizada conjuntamente con otros aparatos a gas u otros combustibles.

El aire aspirado no debe ser mezclado en un conducto para descarga de humo producidos por aparatos a gas u otros combustibles.

Es prohibido cocinar alimentos con llama alta por debajo de la campana.

El uso de las llamas libres puede provocar daños a los filtros y dar lugar a incendios, por lo tanto evitar en cada caso. Las frituras deben ser cocinadas bajo control para evitar que el aceite recalentado prenda fuego.

Las partes accesibles pueden calentarse cuando se usan junto a aparatos para la cocción.

En cuanto a las medidas técnicas y de seguridad adoptar para la descarga de humo atenerse estrictamente a las reglas de las autoridades locales.

La campana se debe limpiar siempre internamente y externamente (COMO MINIMO UNA VEZ AL MES, respetando las reglas indicadas en este manual)


No efectuar los consejos de limpieza de la campana y el cambio de los filtros puede provocar incendios. No utilice o deje la campana sin las lámparas correctamente montadas, debido a riesgos de cortocircuito.

Se declina todo tipo de responsabilidades, daños o incendios provocados por no leer atentamente las instrucciones indicadas en este manual.

Este aparato lleva el marcado CE en conformidad con la Directiva 2002/96/EC del Parlamento Europeo y del Consejo sobre residuos de aparatos eléctricos y electrónicos (RAEE).

La correcta eliminación de este producto evita consecuencias negativas para el medioambiente y la salud.



El símbolo  en el producto o en los documentos que se incluyen con el producto, indica que no se puede tratar como residuo doméstico. Es necesario entregarlo en un punto de recogida para reciclar aparatos eléctricos y electrónicos. Deséchelo con

arreglo a las normas medioambientales para eliminación de residuos.

Para obtener información más detallada sobre el tratamiento, recuperación y reciclaje de este producto, póngase en contacto con el ayuntamiento, con el servicio de eliminación de residuos urbanos o la tienda donde adquirió el producto.

Aparato diseñado, probado y fabricado de acuerdo con:

- Seguridad: EN/IEC 60335-1; EN/IEC 60335-2-31, EN/IEC 62233.
- Prestación: EN/IEC 61591; ISO 5167-1; ISO 5167-3; ISO 5168; EN/IEC 60704-1; EN/IEC 60704-2-13; ISO 3741; EN 50564; IEC 62301.
- EMC: EN 55014-1; CISPR 14-1; EN 55014-2; CISPR 14-2; EN/IEC 61000-3-2; EN/IEC 61000-3-3.

Sugerencias para un uso correcto con el fin de reducir el impacto ambiental: Encienda la campana a la velocidad mínima cuando empiece a cocinar y mantenga en marcha durante unos minutos después de haber acabado de cocinar. Aumente la velocidad solo si se produjera una gran cantidad de humo y vapor y use la velocidad o velocidades turbo solo en situaciones extremas. Cambie el filtro o filtros de carbón cuando sea necesario para mantener un buen rendimiento en la reducción de los olores. Limpie el filtro o filtros de grasa cuando sea necesario para mantener un buen rendimiento del filtro de grasa. Utilice el diámetro máximo del sistema de conductos indicado en este manual, para optimizar el rendimiento y minimizar el ruido.

**ADVERTENCIA!** La falta de instalación de tornillos y elementos de fijación de acuerdo con estas instrucciones podría comportar riesgos de naturaleza eléctrica.

## UTILIZACIÓN

La campana está diseñada para ser utilizada tanto en la forma de extracción como para la forma filtrante de interior.



### Versión aspirante

El vapor viene evacuado hacia el externo a través de un tubo de escape introducido en el laro de sujeción que se encuentra arriba de la campana.

El diámetro del tubo de escape debe ser igual al diámetro del aro de sujeción. En la parte horizontal, el tubo debe tener una ligera inclinación hacia el alto.

Conectar la campana en los tubos y en los orificios de escape de pared con diámetro equivalente a la salida del aire (brida de empalme).

El uso de tubos u orificios de escape de pared con diámetro inferior, determinará una reducción de los rendimientos de la aspiración y un drástico aumento del ruido.

Se declina cada responsabilidad.

- ! Utilice un conducto cuya longitud sea la mínima indispensable.
- ! Utilice un conducto con el menor número posible de curvas (ángulo máximo de la curva: 90°).
- ! Evite los cambios drásticos en la sección del conducto
- ! Utilice un conducto cuyo interior sea lo más liso posible.
- ! El material del conducto debe estar aprobado de conformidad con las normativas.



### Versión filtrante

Se debe utilizar un filtro de carbón activo, disponible del vuestro proveedor. El aire aspirado viene reciclado antes de expulsarlo en el ambiente a través de la parrilla superior.

## INSTALACIÓN

La distancia mínima entre la superficie de cocción y la parte más baja de la campana no debe ser inferior a 50cm en el caso de cocinas eléctricas y de 65cm en el caso de cocinas a gas o mixtas.

Si las instrucciones para la instalación del dispositivo para cocinar con gas especifican una distancia mayor, hay que tenerlo en consideración.



## Conexión eléctrica

La tensión de red debe corresponder con tensión indicada en la etiqueta colocada en el interior de la campana. Si es suministrada con un enchufe, conectar la campana a un enchufe conforme a las normas en vigor y colocarlo en una zona accesible, aun después de la instalación. Si no es suministrada con enchufe (conexión directa a la red) o clavija y no es posible situarla en un lugar accesible, aun después de la instalación, colocar un interruptor bipolar de acuerdo con las normativas, para asegurarse la desconexión completa a la red en el caso de la categoría de alta tensión III, conforme con las reglas de instalación.

**Atención!** Antes de reconectar el circuito de la campana a la red y de verificar el correcto funcionamiento, controlar siempre que el cable de red fue montado correctamente.

La campana está provista de un cable de alimentación especial; si el cable se daña, solicite uno nuevo al Servicio de Asistencia Técnica.

## Montaje

Producto con peso excesivo; la campana extractora ha de ser transportada e instalada por dos o más personas. Antes de comenzar con la instalación:

- Asegurarse que el producto adquirido, sea de las dimensiones apropiadas para la zona de instalación escogida.
- Quitar el/los filtro/s al carbón activo (\*) si es provisto (ver el párrafo relativo). Este/tos va/van montado/s nuevamente si se desea utilizar la campana en versión filtrante.
- Verificar que en el interior de la campana no hayan (por motivos de transportes) materiales suministrados ( como por ejemplo bolsas con tornillos (\*), garantías (\*) etc.), eventualmente quitarlos y conservarlos.
- Si es posible desconectar o quitar los muebles debajo y alrededor del área de instalación de la campana para tener una mejor accesibilidad a la / pared al/techo, donde será instalada la campana. De todas maneras, proteger los muebles y todas las partes necesarias para la instalación. Escoger una superficie plana y cubrirla con una protección donde apoyar las piezas metálicas.
- Verificar además que en la zona cerca de la zona de instalación de la campana (con la campana montada) sea disponible un enchufe eléctrico y una descarga para el humo hacia el exterior (solo para la versión aspirante).
- Ejecutar todos los trabajos de mampostería necesarios ( ej.: instalación de una toma de corriente y/o agujero para el pasaje del tubo de descarga).

La campana está dotada con tacos de fijación adecuados a la mayor parte de paredes/techos. De cualquier modo, conviene consultar a un técnico calificado para tener la certeza de que los materiales son adecuados a la pared / techo. La pared / el techo debe ser lo suficientemente fuerte para sostener el peso de la campana.

## FUNCIONAMIENTO

Usar la potencia de aspiración mayor en caso de particular concentración de vapores de cocina. Aconsejamos de encender la aspiración 5 minutos antes de iniciar a cocinar y dejarla en función por otros 15 minutos aproximadamente.

Para seleccionar las funciones de la campana es solo necesario tocar los controles.

### WHI661STX, WHI641ST, WHI961STX, WHI961ST, WHT961STX, WHT941ST

T1	T2	T3	T4	T5	T6*	T7	T8	T8	

**T1. Stand by** (modo de espera) (el panel de control apagado - todas estas funciones deshabilitadas) **ON/** (panel de control encendido)

**Nota:** Después de un minuto de no utilización de la campana (aspiración y luces) ésta cambiará automáticamente a stand/by.

**T2. ON/OFF luces**

Sólo en algunos modelos (**ver diagrama anterior**):

Presionar varias veces hasta seleccionar la intensidad de luz deseada:

- L1: luz baja
- L2: luz media
- L3: luz alta

Presionar de nuevo para apagar las luces.

### **T3. ON/OFF Funcionamiento automático**

La campana configura automáticamente la velocidad (potencia) de aspiración 1 para aumentarse si las condiciones ambientales detectadas por el sensor de la campana lo requieren.

En ausencia de variaciones de las condiciones ambientales, después de 10 minutos (si la campana ya está en velocidad (potencia) de aspiración 1), la campana se apaga.

**Nota:** Para garantizar un uso adecuado de esta función llevar a cabo antes el "**Ajuste de los parámetros para la Operación Automática**" (véase la sección correspondiente).

**Nota:** Durante la operación automática, si el usuario actúa sobre otras funciones que regulan la velocidad, la función auto-ventilación automática se desactiva.

### **T4. Selección manual velocidad (potencia) de aspiración:**

L4: velocidad (potencia) de aspiración 1

L5: velocidad (potencia) de aspiración 2

L6: velocidad (potencia) de aspiración 3

Presionar de nuevo para apagar la campana (OFF).

**Nota:** La selección manual excluye cualquier otra función configurada relacionada con la aspiración.

### **T5. ON/OFF velocidad (potencia) de aspiración intensiva "POWER BOOST" (temporizada)**

**Nota:** Después de 5 minutos de funcionamiento la campana vuelve a su estado anterior.

### **T6\*. (Sólo en algunos modelos) ON/OFF velocidad (potencia) de aspiración intensiva "POWER BOOST x 2" (temporizada)**

**Nota:** Después de 5 minutos de funcionamiento la campana vuelve a su estado anterior.

### **T7. ON/OFF modo de funcionamiento "cambio de aire"**

Cada 50 minutos de inactividad se enciende la velocidad (potencia) de aspiración 1 durante 10 minutos.

### **T8. ON/OFF apagado retardado de la velocidad (potencia) de aspiración (alrededor de 30 minutos)**

**Nota:** Esta función está disponible para las velocidades que se pueden seleccionar pulsando el botón **T4**.

### **T9. Indicador y restablecimiento saturación de filtros**

El botón se enciende automáticamente con una luz fija cuando es necesario realizar el mantenimiento del filtro de grasas.

El botón se enciende automáticamente con una luz parpadeante cuando es necesario realizar el mantenimiento del filtro de carbón.

Después de realizar el mantenimiento, con la campana apagada y el botón activo, presionar el botón durante más de 3 segundos para realizar el restablecimiento del indicador de la saturación de los filtros; repetir si es necesario (por ejemplo en el caso en que los dos filtros se saturen).

#### **Activación del indicador de saturación del filtro de carbón**

El indicador de saturación del filtro de carbón está normalmente desactivado. Para activarlo, proceder de la siguiente manera:

Con la pantalla encendida (ON) y la aspiración apagada (OFF), presionar contemporáneamente los botones **T8** y **T9** durante más de tres segundos; el botón **T9** se enciende a luz constante durante unos 5 segundos para indicar la activación exitosa.

Para desactivarlo, repetir la operación; el botón **T9** parpadeará durante unos 5 segundos para indicar la desactivación exitosa.

## **Regulación de los parámetros para el Funcionamiento Automático**

Para garantizar un uso adecuado del funcionamiento automático llevar a cabo la "Calibración de la campana" y la "Selección de la estufa"

### **Calibración de la campana**

La pantalla encendida (ON) y la aspiración apagada (OFF), presionar el botón **T4** durante 5 segundos.

La velocidad (potencia) de aspiración 2 comienza a funcionar y el botón **T4** parpadeará para indicar que se inició la calibración de

la campana que tendrá una duración de unos 15 minutos aproximadamente.

**Nota:** Para detener la calibración presionar el botón **T4** durante 5 segundos; la calibración será invalidada y deberá ser repetida.

### **Selección de la estufa**

Con la pantalla encendida (ON) y la aspiración apagada (OFF), presionar el botón **T3** durante 5 segundos.

### **Modelo con 2 niveles de potencia intensiva T5 (POWER BOOST) y T6 (POWER BOOST x 2)**

Los botones **T3**, **T5** y **T6** se encienden.

Presionar el botón **T5** en el caso de una estufa de gas - la tecla parpadea para indicar el modo seleccionado. Presionar el botón **T6** en el caso de una estufa eléctrica - la tecla parpadea para indicar el modo seleccionado.

### **Modelo con 1 nivel de potencia intensiva T5 (POWER BOOST)**

Los botones **T3**, **T7** y **T8** se encienden.

Presionar el botón **T7** en el caso de una estufa de gas - la tecla parpadea para indicar el modo seleccionado. Presionar el botón **T8** en el caso de una estufa eléctrica - la tecla parpadea para indicar el modo seleccionado.

## **MANTENIMIENTO**

**¡Atención! Antes de cualquier operación de limpieza o mantenimiento, retire la campana de la red eléctrica desconectando el enchufe o desconectando el interruptor general de la casa.**

### **Limpieza**

La campana debe ser limpiada con frecuencia tanto externamente como internamente (con la misma frecuencia con la que se realiza el mantenimiento de los filtros de grasa). Para la limpieza, utilice un paño impregnado de detergente líquido neutro. No utilice productos que contengan abrasivos. **¡NO UTILICE ALCOHOL!**

**ATENCIÓN:** De no observarse las instrucciones dadas para limpiar el aparato y sustituir el filtro, puede producirse un incendio. El fabricante recomienda leerlas y respetarlas atentamente.

El fabricante no se hace responsable por los daños al motor o los incendios provocados en el aparato debido a intervenciones de mantenimiento incorrectas o al incumplimiento de las normas de seguridad proporcionadas.

### **Filtro antigrasa**

**Retiene las partículas de grasa producidas cuando se cocina.**

El **filtro antigrasa metálico** debe limpiarse una vez al mes con detergentes no agresivos, manualmente o bien en lavavajillas a bajas temperaturas y con ciclo breve.

Con el lavado en el lavavajilla el filtro antigrasa metálico puede desteñirse pero sus características de filtrado no cambian absolutamente.

Para desmontar el filtro antigrasa, tirar de la manija de desenganche de muelle.

### **Filtro al carbón activo (solamente para la versión filtrante)**

**Retiene los olores desagradables producidos por el cocinado de alimentos.**

La saturación del **carbón activado** ocurre después de más o menos tiempo de uso prolongado, dependiendo del tipo de cocina y de la regularidad de limpieza del filtro de grasa. En cualquier caso es necesario sustituir el cartucho al menos cada 4 meses.

NO puede lavarse o reciclarse.

### **Sustitución de la lámpara**

La campana viene provista de un sistema de iluminación basado en la tecnología LED.

Los LEDS garantizan una óptima iluminación, una duración hasta 10 veces mayor de las lámparas tradicionales y permiten ahorrar el 90% de energía eléctrica.

Para la sustitución dirigirse al servicio asistencia técnica.

## FR - HOTTE

Suivre impérativement les instructions de cette notice. Le constructeur décline toute responsabilité pour tous les inconvénients, dommages ou incendies provoqués à l'appareil et dus à la non observation des instructions de la présente notice. Cette hotte prévue pour l'aspiration des fumées et vapeurs de cuisson est destinée à un usage domestique exclusivement.

La hotte peut avoir des configurations esthétiques différentes par rapport à ce qui est illustré dans les dessins de ce manuel, cependant les instructions pour l'utilisation, l'entretien et l'installation restent identiques.

! Il est important de conserver ce livret pour pouvoir le consulter à tout moment. En cas de vente, de cession ou de déménagement, s'assurer qu'il reste avec le produit.

! Lire attentivement les instructions: il y a d'importantes informations sur l'installation, sur l'emploi et sur la sécurité.

! Ne pas effectuer des modifications électriques ou mécaniques sur le produit ou sur les conduit d'évacuation.

! Avant d'installer l'appareil, vérifiez qu'il n'y a aucun composant endommagé. Sinon, contactez votre revendeur et ne pas continuer l'installation.

**Note:** les pièces indiquées avec le symbole "(\*)" sont des accessoires optionnels qui sont fournies uniquement avec certains modèles ou des pièces non fournies qui doivent être achetées.



### ATTENTION

**Attention!** Ne pas raccorder l'appareil au circuit électrique avant que le montage ne soit complètement terminé.

Avant toute opération de nettoyage ou d'entretien, débrancher la hotte du circuit électrique en retirant la prise ou en coupant l'interrupteur général de l'habitation.

Munissez-vous de gants de travail avant d'effectuer toute opération d'installation et d'entretien.

L'appareil n'est pas destiné à une utilisation par des enfants ou des personnes à capacités physiques, sensorielles ou mentales réduites et sans expérience et connaissance à moins qu'ils ne soient sous la supervision ou formés sur l'utilisation de l'appareil par une personne responsable de leur sécurité.

Les enfants doivent être surveillés afin qu'ils ne jouent pas avec l'appareil. Ne jamais utiliser la hotte sans que la grille ne soit montée correctement!

La hotte ne doit JAMAIS être utilisée comme plan pour déposer quelque chose sauf si cela est expressément indiqué. Quand la hotte est utilisée en même temps que d'autres appareils à combustion de gaz ou d'autres combustibles, le local doit disposer d'une ventilation suffisante.

L'air aspiré ne doit jamais être envoyé dans un conduit utilisé pour l'évacuation des fumées produites par des appareils à combustion de gaz ou d'autres combustibles.

Il est formellement interdit de faire flamber les aliments sous la hotte.

L'utilisation de flammes libres peut entraîner des dégâts aux filtres et peut donner lieu à des incendies, il faut donc les éviter à tout prix.

La friture d'aliments doit être réalisée sous contrôle pour éviter que l'huile surchauffée ne prenne feu.

Les pièces accessibles peuvent se réchauffer de façon importante quand elles sont utilisées avec des appareils pour la cuisson.

En ce qui concerne les mesures techniques et de sécurité à adopter pour l'évacuation des fumées, s'en tenir strictement à ce qui est prévu dans les règlements des autorités locales compétentes. La hotte doit être régulièrement nettoyée, aussi bien à l'intérieur qu'à l'extérieur (AU MOINS UNE FOIS PAR MOIS, respecter néanmoins les instructions relatives à l'entretien fournies dans ce manuel).

La non observation de ces normes de nettoyage de la hotte et du changement et nettoyage des filtres comporte des risques d'incendie.


Ne pas utiliser ou laisser la hotte sans que les ampoules soient correctement placées pour éviter tout risque de choc électrique.

La société décline toute responsabilité pour d'éventuels inconvénients, dégâts ou incendies provoqués par l'appareil et dérivés de la non observation des instructions reprises dans ce manuel.

Cet appareil porte le symbole du recyclage conformément à la Directive Européenne 2002/96/CE concernant les Déchets d'Équipements Électriques et Électroniques (DEEE ou WEEE).

En procédant correctement à la mise au rebut de cet appareil, vous contribuerez à empêcher toute conséquence nuisible pour l'environnement et la santé de l'homme.



Le symbole  présent sur l'appareil ou sur la documentation qui l'accompagne indique que ce produit ne peut en aucun cas être traité comme déchet ménager. Il doit par conséquent être remis à un centre de collecte des déchets chargé du recyclage des équipements électriques et électroniques.

Pour la mise au rebut, respectez les normes relatives à l'élimination des déchets en vigueur dans le pays d'installation.

Pour obtenir de plus amples détails au sujet du traitement, de la récupération et du recyclage de cet appareil, veuillez vous adresser au bureau compétent de votre commune, à la société de collecte des déchets ou directement à votre revendeur.

Appareil conçu, testé et fabriqué conformément aux normes suivantes :

- Sécurité : EN/CEI 60335-1; EN/CEI 60335-2-31, EN/CEI 62233.
- Performances : EN/CEI 61591; ISO 5167-1; ISO 5167-3; ISO 5168; EN/CEI 60704-1; EN/CEI 60704-2-13; ISO 3741; EN 50564; CEI 62301.
- CEM : EN 55014-1; CISPR 14-1; EN 55014-2; CISPR 14-2; EN/CEI 61000-3-2; EN/CEI 61000-3-3.

Suggestions pour une utilisation correcte afin de réduire l'impact environnemental: Allumer la hotte à la vitesse minimum pendant la cuisson et la laisser fonctionner pendant quelques minutes après la fin de la cuisson. Augmenter la vitesse uniquement en présence d'une grande quantité de fumée ou de vapeur et n'utiliser la/les vitesse(s) accélérées que dans les cas extrêmes. Remplacer le(s) filtre(s) au charbon lorsque cela est nécessaire afin de maintenir une réduction efficace des odeurs. Nettoyer le(s) filtres à graisse lorsque cela est nécessaire afin de maintenir un filtrage efficace des graisses. Utiliser un système de tuyauterie du diamètre maximum indiqué dans ce manuel afin d'optimiser le rendement et de minimiser le bruit.

**ATTENTION!** Ne pas installer les vis et les éléments de fixation conformément à ces instructions peut entraîner des risques électriques.

## UTILISATION

La hotte est réalisée de façon qu'elle puisse être utilisée en version aspirante à évacuation extérieure, ou filtrante à recyclage intérieur.



### Version évacuation extérieure

Les vapeurs sont évacuées vers l'extérieur à travers un conduit d'évacuation fixé à la bride de raccord qui se trouve au-dessus de la hotte.

**Attention!** Le tuyau d'évacuation n'est pas fourni et doit être acheté à part.

Le diamètre du tuyau d'évacuation doit être égal à celui de la bride de raccord.

Sur la partie horizontale, le tuyau doit avoir une légère inclinaison vers le haut (10° env.) de façon à convoyer plus facilement l'air vers l'extérieur.

Si la hotte est équipée d'un filtre à charbon, ce dernier doit être enlevé.

Relier la hotte aux tubes et trous d'évacuation de la paroi d'un diamètre équivalent à la sortie de l'air (collier de raccord).

L'utilisation de tubes et des trous d'évacuation à paroi avec un diamètre inférieur entraînera une diminution des performances d'aspiration et une nette augmentation du bruit.

Nous déclinons toute responsabilité à cet égard.

! Utiliser un tuyau de la longueur strictement nécessaire.

! Les coudes du tuyau doivent être en nombre minimale (angle maxi du coude: 90°).

! Éviter les variations excessives de section du tuyau.

! Utiliser un tuyau le plus lisse possible sur sa partie interne.

! Le matériau du tuyau doit être aux normes.



### Version recyclage

Il convient d'utiliser un filtre à charbon actif, disponible auprès de votre revendeur habituel.

L'air aspiré sera dégraissé et désodorisé avant d'être refoulé dans la pièce à travers la grille supérieure.



## INSTALLATION

La distance minimum entre la superficie de support des récipients sur le dispositif de cuisson et la partie la plus basse de la hotte de cuisine ne doit pas être inférieure à 50cm dans le cas de cuisinières électriques et de 65cm dans le cas de cuisinières à gaz ou mixtes.

Si les instructions d'installation du dispositif de cuisson au gaz spécifient une plus grande distance, il faut en tenir compte.



### Branchement électrique

La tension électrique doit correspondre à la tension reportée sur la plaque signalétique située à l'intérieur de la hotte. Si une prise est présente, branchez la hotte dans une prise murale conforme aux normes en vigueur et placée dans une zone accessible également après l'installation. Si aucune prise n'est présente (raccordement direct au circuit électrique), ou si la prise ne se trouve pas dans une zone accessible également après l'installation, appliquez un disjoncteur normalisé pour assurer de débrancher complètement la hotte du circuit électrique en conditions de catégorie surtension III, conformément aux réglementations de montage.

**Attention!** Avant de rebrancher le circuit de la hotte à l'alimentation électrique et d'en vérifier le fonctionnement correct, contrôlez toujours que le câble d'alimentation soit monté correctement.

La hotte est pourvue d'un câble d'alimentation spécial; en cas de détérioration du câble, en demander un neuf au service d'assistance technique.

### Montage

Appareil excessivement lourd ; la manutention et l'installation de la hotte doivent être effectuées par deux personnes ou plus.

Avant de commencer l'installation:

- Vérifier que le produit acheté soit de dimensions adéquates pour la zone d'installation choisie.
- Enlevez le(s) filtre(s) au charbon actif (\*) si ceux-ci sont fournis (voir également le paragraphe concerné). Celui-ci(ceux-ci) est(sont) remonté(s) uniquement si l'on veut utiliser la hotte en version recyclage.
- Vérifiez qu'à l'intérieur de la hotte il n'y est pas (pour des raisons de transport) d'autre matériel fourni avec l'équipement (par exemple: vis (\*), garanties (\*) etc., dans ce cas, enlevez-les et conservez-les.
- Protéger la cuisinière et la hotte contre d'éventuels débris et dégâts en utilisant une toile de protection. Préférer une surface plane pour l'assemblage. Couvrir cette surface d'une protection et placer tous les éléments de la hotte et de la cheminée dessus.
- Préparez le branchement électrique et veillez qu'à proximité de la zone d'installation de la hotte (dans une zone également accessible avec la hotte déjà montée), il y ait une prise électrique et qu'il soit possible de se raccorder à un dispositif d'évacuation de fumées vers l'extérieur (uniquement Version Evacuation).
- Effectuer tous les travaux de maçonnerie nécessaires (par exemple: installation d'une prise électrique et/ou trou pour le passage des tubes d'évacuation).

La hotte est équipée de chevilles de fixation convenant à la plupart des parois/plafonds. Il est cependant nécessaire de s'adresser à un technicien qualifié afin de s'assurer que le matériel est approprié au type de paroi/plafond. La paroi/plafond doit être suffisamment solide pour supporter le poids de la hotte.

## FONCTIONNEMENT

Utiliser la puissance d'aspiration maximum en cas de concentration très importante des vapeurs de cuisson. Nous conseillons d'allumer la hotte 5 minutes avant de commencer la cuisson et de la faire fonctionner encore pendant 15 minutes environ après avoir terminé la cuisson.

### WHI661STX, WHI641ST, WHI961STX, WHI961ST, WHT961STX, WHT941ST

T1	T2	T3	T4	T5	T6*	T7	T8	T8

Pour sélectionner les fonctions de la hotte, il suffit de toucher les commandes.

**T1. Stand by** (panneau de contrôle éteint – toutes les fonctions désactivées) / **ON** (panneau de contrôle en fonction)

**Note:** Après environ une minute hors fonction (aspiration et éclairage), la hotte revient automatiquement en standby.

**T2. ON/OFF éclairage**

**Seulement pour certains modèles (voir le dessin en haut):**

appuyez plusieurs fois jusqu'à la sélection de l'intensité de lumière désirée:

**L1:** lumière bassa

**L2:** lumière media

**L3:** lumière alta

appuyez de nouveau pour éteindre les lumières.

**T3. ON/OFF Fonctionnement automatique**

La hotte définit automatiquement la vitesse (puissance) d'aspiration 1 pour augmentation si les conditions d'environnement détectées par le capteur de la hotte l'exigent.

En l'absence de changements dans les conditions environnementales, après 10 minutes (si la hotte est déjà dans la vitesse (puissance) d'aspiration 1 la hotte est arrêtée.

**Note:** pour une utilisation correcte de cette fonction, effectuez d'abord le "Réglage des paramètres pour Fonctionnement automatique" (voir la section dédiée).

**Note:** Pendant le fonctionnement automatique, si l'utilisateur agit sur autres fonctions qui règlent la vitesse, la fonction auto ventilation est désactivée.

**T4. Sélection manuelle vitesse (puissance) d'aspiration:**

**L4:** vitesse (puissance) d'aspiration 1

**L5:** vitesse (puissance) d'aspiration 2

**L6:** vitesse (puissance) d'aspiration 3

appuyez encore une fois pour éteindre la hotte (OFF).

**Note:** la sélection manuelle exclut toute autre fonction réglée concernant l'aspiration.

**T5. ON/OFF vitesse (puissance) d'aspiration intensive "POWER BOOST"** (temporisée)

**Note:** Après 5 minutes de fonctionnement, la hotte revient à l'état précédent.

**T6\***. (Seulement pour certains modèles) **ON/OFF vitesse (puissance) d'aspiration intensive "POWER BOOST x 2"** (temporisée)

**Note:** Après 5 minutes de fonctionnement, la hotte revient à l'état précédent.

**T7. ON/OFF mode de fonctionnement "Rafraîchissement de l'air "**

Toutes les 50 minutes d'inactivité, la vitesse (puissance) d'aspiration 1 est activée pour 10 minutes.

**T8. ON/OFF Arrêt différé** de la vitesse (puissance) d'aspiration (environ 30 minutes)

**Note:** cette fonction est disponible pour les vitesses qui peuvent être sélectionnées avec la T4.

**T9. Indicateur et reset saturation filtres**

La touche s'allume automatiquement à lumière constante quand vous devez effectuer l'entretien du filtre à graisse. Il touche s'allume automatiquement à lumière clignotante quand vous devez effectuer l'entretien du filtre à charbon.

Après avoir effectué l'entretien, avec la hotte hors fonction et la touche active, appuyez sur touche pour plus de 3 secondes pour effectuer le reset de l'indicateur de saturation filtres; répétez l'opération si nécessaire (par ex., dans le cas où tous les deux filtres sont saturés).

**Activation de l'indicateur de saturation filtre à charbon**

L'indicateur de saturation filtre à charbon est normalement désactivé. Pour l'activer, procédez de la manière suivante: Avec l'affichage en fonction (ON) et l'aspiration arrêtée (OFF) appuyez simultanément les touches **T8** et **T9** pour plus de 3 secondes; la touche **T9** s'allume à **lumière constante** pour environ 5 secondes pour indiquer l'activation.

Pour le désactiver, répétez l'opération; la touche **T9** clignotera pour environ 5 secondes pour indiquer la désactivation.

**Réglage des paramètres pour Fonctionnement automatique**

Pour une utilisation correcte du fonctionnement automatique, effectuez "Calibration de la hotte" et la "Sélection plaque de cuisson".

## Calibration de la hotte

Avec l'affichage en fonction (ON) et l'aspiration arrêtée (OFF), appuyez sur la touche **T4** pour 5 secondes.

La vitesse (puissance) d'aspiration 2 commence à fonctionner et la touche **T4** clignote pour indiquer que la calibration de la hotte a commencé et va durer pour environ 15 minutes.

**Note:** pour interrompre la calibration appuyez sur T4 pour 5 secondes; la calibration sera invalidée et doit être répétée.

### Sélection plaque de cuisson

Avec l'affichage en fonction (ON) et l'aspiration arrêtée (OFF), appuyez sur la touche **T3** pour 5 secondes.

#### Modèle à 2 niveaux de puissance intensive T5 (POWER BOOST) et T6 (POWER BOOST x 2)

Les touches **T3**, **T5** et **T6** s'allument.

Appuyez sur la touche **T5** dans le cas de plaque de cuisson au gaz - la touche clignote pour indiquer la sélection. Appuyez sur la touche **T6** dans le cas de la plaque de cuisson électrique - la touche clignote pour indiquer la sélection.

#### Modèle à 1 niveau de puissance intensive T5 (POWER BOOST)

Les touches **T3**, **T7** et **T8** s'allument.

Appuyez sur la touche **T7** dans le cas de plaque de cuisson au gaz - la touche clignote pour indiquer la sélection. Appuyez sur la touche **T8** dans le cas de la plaque de cuisson électrique - la touche clignote pour indiquer la sélection.

## ENTRETIEN

**Attention! Avant toute opération de nettoyage ou d'entretien, débrancher la hotte du circuit électrique en enlevant la prise ou en coupant l'interrupteur général de l'habitation.**

### Nettoyage

La hotte doit être régulièrement nettoyée à l'intérieur et à l'extérieur (au moins à la même fréquence que pour l'entretien des filtres à graisse). Pour le nettoyage, utiliser un chiffon humidifié avec un détergent liquide neutre. Ne pas utiliser de produit contenant des abrasifs.

#### NE PAS UTILISER D'ALCOOL!

**ATTENTION:** Il y a risque d'incendie si vous ne respectez pas les instructions concernant le nettoyage de l'appareil et le remplacement ou le nettoyage du filtre.

La responsabilité du constructeur ne peut en aucun cas être engagée dans le cas d'un endommagement du moteur ou d'incendie liés à un entretien négligé ou au non respect des consignes de sécurité précédemment mentionnées.

### Filtre anti-gras

**Il retient les particules de graisse issues de la cuisson.**

Le filtre anti-graisse métallique doit être nettoyé une fois par mois avec des détergents non agressifs, à la main ou dans le lave-vaisselle à faibles températures et cycle rapide.

Le lavage du filtre anti-graisse métallique au lave-vaisselle peut provoquer la décoloration. Toutefois, les caractéristiques de filtrage ne seront en aucun cas modifiées.

Pour démonter le filtre anti-graisse, tirer la poignée de décrochement à ressort.

### Filtre à charbon actif (uniquement pour version recyclage)

**Retient les odeurs désagréables de cuisson.**

La saturation du charbon actif se constate après un emploi plus ou moins long, selon la fréquence d'utilisation et la régularité du nettoyage du filtre à graisses. En tout cas, il est nécessaire de changer le filtre après, au maximum, quatre mois.

IL NE PEUT PAS être nettoyé ou régénéré.

### Remplacement des lampes

La hotte est dotée d'un système d'éclairage basé sur la technologie LED.

Les LEDS garantissent un éclairage optimal, une durée jusqu'à 10 fois supérieures aux ampoules traditionnelles et permettent une épargne de 90% en énergie électrique.

Pour le remplacement, s'adresser au service d'assistance technique.

## BG - АСПИРАТОР В АСПИРАЩА ВЕРСИЯ

Придържайте се стриктно към тук посочените инструкции. Фирмата не носи отговорност за евентуални неизправности, повреди или възпламеняване на уреда, възникнали в резултат на неспазване на инструкциите в настоящото упътване. Аспираторът е проектиран за аспириране на дима и парата, които се отделят при готвене, и е предназначен само за битова употреба.

**Аспираторът може да се различава външно от чертежите поместени в настоящото упътване, но независимо от това инструкциите за употреба, поддръжката и инсталирането са абсолютно същите.**

! Съветваме Ви да съхранявате настоящото упътване за да може да го използвате във всеки един момент. При продажба, отдаване под наем или преместване, упътването за употреба трябва да остане заедно с продукта.

! Прочетете внимателно инструкциите! Те съдържат важна информацията относно инсталирането, употребата и мерките за безопасност.

! Забранено е нанасянето на електрически или механически изменения върху продукта и върху въздуховодните тръби!

! Преди да пристъпите към инсталирането на уреда, уверете се, че няма увредени части. Ако има такива, свържете се с търговския представител и не пристъпвайте към инсталиране.

**Забележка:** Частите, отбелязани с “(\*)”, са опция и се доставят само с някои модели или пък са недоставени части, които да се закупят отделно.



### ПРЕДУПРЕЖДЕНИЯ

**Внимание!** Не включвайте уреда към ел.мрежа, ако монтирането му не е окончателно приключило. Преди каквато и да е операция на почистване или поддръжка, аспираторът трябва да се изключи от ел.мрежа, като се извади щепсела или като се изключи главния прекъсвач на жилището.

за всички операции по инсталиране и техническо обслужване използвайте работни ръкавици.

Уредът не трябва да се употребява от деца или хора с намалена умствена или физическа чувствителност и които нямат опит и не са запознати с уреда, освен ако те не се държат под контрол или не са инструктирани от отговарящо за безопасността им лице как да ползват уреда.

Трябва да се внимава децата да не си играят с аспиратора.

Не използвайте никога аспиратора, ако решетката не е правилно монтирана!

Аспираторът не трябва НИКОГА да се използва като работен плот, освен ако това не е специално указано.

Помещението трябва да има добро проветряване, когато кухненският аспиратор се използва едновременно с други уреди с газово или друг вид гориво.

Аспирираният въздух не трябва да се отвежда през отвод, през който се отвежда дима от уредите, работещи с газ или друго гориво.

Строго се забранява готвенето на открит пламък под аспиратора.

Използването на открит пламък е вредно за филтрите и може да причини пожар, затова абсолютно трябва да се избягва.

Пърженето трябва да се извършва под наблюдение, за да се избегне възпламеняване на олиото.

Достъпните части могат да се нагреят значително когато се използват заедно с готварски уреди.

Що се отнася до техническите мерки и мерките за безопасност, които трябва да се прилагат за отвеждане на дима, трябва строго да се придържате към предвиденото в правилника на местните компетентни власти.

Аспираторът трябва да се почиства често, както отвътре, така и отвън (ПОНЕ ВЕДНЪЖ В МЕСЕЦА, трябва при всички случаи да се спазват инструкциите за поддръжка, посочени в тези указания).

Неспазването на нормите за почистване на аспиратора и за подмяна и почистване на филтрите, води до опасност от пожари.

Не използвайте и не оставяйте аспиратора без правилно монтирани лампички! Опасност от токов удар!


Не се поема никаква отговорност при евентуална неизправност, щета или пожар, нанесени на уреда вследствие на неспазване на настоящите инструкции.

Този уред отговаря на изискванията на :

- Европейската директива 2002/96/EC
- Waste Electrical and Electronic Equipment (WEEE).

Уверявайки се, че този уред ще бъде рециклиран по подобаващият за това начин, Вие допринасяте за опазването на околната среда и вашето здраве.



Символът  върху уреда или в придружаващата го документация посочва, че този продукт не трябва да бъде считан за домашен отпадък, а трябва да бъде предаден в специално предназначени за това пунктове за рециклиране на електрическа и електронна техника. Придържайте се към местните нормативи за преработка на отпадъци. За по-подробна информация във връзка с предаването, събирането и рециклирането на този продукт ви съветваме да се обърнете към компетентните местни служби, службите за събиране на домашни отпадъци или магазинът, в който сте закупили този ел. уред.

Уредът е проектиран, тестван и произведен в съответствие с:

- Безопасност: EN/IEC 60335-1; EN/IEC 60335-2-31, EN/IEC 62233.
- Работни характеристики: EN/IEC 61591; ISO 5167-1; ISO 5167-3; ISO 5168; EN/IEC 60704-1; EN/IEC 60704-2-13; ISO 3741; EN 50564; IEC 62301.
- EMC - Електромагнитна съвместимост: EN 55014-1; CISPR 14-1; EN 55014-2; CISPR 14-2; EN/IEC 61000-3-2; EN/IEC 61000-3-3.

Предложения за правилна употреба, за да се намали въздействието върху околната среда: Включете (ON) аспиратора на минимална скорост, когато започнете да готвите и го оставете да работи няколко минути след приключване на готвенето. Увеличавайте скоростта само в случай на голямо количество дим и пари и използвайте увеличените скорости само в екстремни ситуации. Сменяйте филтъра/филтрите с активен въглен, когато е необходимо, за да поддържате добра ефективност на намаляване на миризмата. Почиствайте филтъра/филтрите за мазнини, когато е необходимо, за да поддържате добра ефективност на филтъра за мазнините. Използвайте максималния диаметър на системата за отвеждане на въздуха, посочен в това ръководство за оптимизиране на ефективността и за намаляване на шума.

**ВНИМАНИЕ!** Неизвършването на монтажа на винтовете и на фиксиращите механизми в съответствие с настоящите инструкции, може да доведе до рискове от електрическо естество.

## УПОТРЕБА

Аспираторът има следното предназначение: всмуква и отвежда навън или филтрира въздуха, като едновременно с това го рециклира



### Аспирираща версия

Парата се отвежда навън посредством въздуховодна тръба свързана със съединителния фланец.

Диаметърът на въздуховодната тръба трябва да отговаря на диаметъра на съединителния пръстен.

**Внимание!** Въздуховодната тръба не е включена към аксесоарите и трябва да бъде закупена отделно.

В хоризонталната част тръбата трябва да бъде леко извита нагоре (около 10°) за да улесни отвеждането на въздуха навън.

Ако аспираторът е снабден с филтри с активен въглен, въпросните трябва да бъдат отстранени.

Свържете аспиратора към въздуховодни тръби и отвори в стената. Диаметърът на тръбите трябва да съответства на диаметъра на съединителния фланец за отвеждане на въздуха.

Свързването към въздуховодни тръби и отвори с по-малък диаметър намалява капацитета на аспириране и увеличава значително шума по време на работа.

В тези случаи фирмата не поема никаква отговорност.

! Използвайте тръба с необходимата дължина.

! Използвайте тръба с възможно най-малко тръбни колена (с максимален ъгъл на извивка: 90°).

! Не променяйте рязко сечението на тръбите!

! Използвайте тръби с възможно най-гладко вътрешно покритие.

! Материалът, от който са изработени тръбите трябва да отговаря на нормите в сила.



### Филтрираща версия

Аспирираният въздух се пречиства и освежава преди да влезе отново в обръщение в помещението. За да използвате аспиратора в този вариант на работа трябва да инсталирате допълнителна филтрираща система на базата на филтри с активен въглен.

### МОНТИРАНЕ

Минималното разстояние между повърхността, на която се поставят съдовете за готвене и най-ниската част на кухненския аспиратор, трябва да бъде не по-малко от 50cm в случай на електрически печки и не по-малко от 65cm, в случай на газови или комбинирани печки.

Ако в инструкциите на газовия уред за готвене е посочено по-голямо разстояние, то трябва да се има предвид.



### Ел. връзка

Напрежението в ел.мрежата трябва да отговаря на напрежението, което е посочено върху етикета с данните за аспиратора, поставен от вътрешната му страна. Ако е снабден с щепсел свържете аспиратора към контакт, съответстващ на действащите норми и намиращ се на лесно достъпно място дори и след приключване на монтажа. Ако не е снабден с щепсел (директно свързване към мрежата), или щепселът не е на достъпно място след приключване на монтажа, използвайте двуполуосен прекъсвач според нормите, така че да се осигури пълно изключване на мрежата при свръхнапрежение III, в съответствие с правилата за монтиране.

Внимание! Преди да свържете отново аспиратора към мрежата и да проверите дали функционира правилно, проверете дали кабелът е монтиран както трябва.

Аспираторът е снабден със специален кабел за захранване; в случай, че кабелът бъде увреден обърнете се към гаранционния сервиз за да получите нов.

### Монтаж

**Уред с много голямо тегло G преместването и инсталирането на аспиратора трябва да се извършва от най-малко двама души.**

**Преди да пристъпите към монтажа:**

- Уверете се, че закупеният от Вас продукт отговаря по размери на избраното място за инсталиране.
- Отстранете филтъра/филтрите с активен въглен (разбира се, ако избраният от Вас модел разполага с такъв). За да извършите това проследете операциите в съответния параграф. Монтирайте филтрите отново само в случай, че желаете да използвате аспиратора във вариант на филтрираща версия.
- Уверете се, че по време на транспорта във вътрешната част на аспиратора не са попаднали дребни предмети, като например пликчета с винтове, гаранционни карти и др.; ако намерите такива отстранете ги и ги запазете.
- Ако е възможно разглобете и преместете мебелите, които се намират в непосредствена близост до мястото, където възнамерявате да монтирате аспиратора. По този начин ще имате по-добър достъп до тавана или стената, където ще бъде инсталиран. В противен случай, внимавайте да не увредите по време на монтажа мебелите и всички останали предмети. Изберете равна повърхност и покрийте с подходящо платно, върху което да поставите аспиратора и съответните аксесоари.
- Уверете се, че в близост до мястото, където възнамерявате да монтирате аспиратора има лесно достъпен контакт и също така, че е възможно да се свърже с отдушник (само за аспириращите версии).
- Изпълнете всички необходими операции, например: монтирайте ел. контакт и/или направете отвор за прокарване на изходната тръба. Аспираторът е снабден с дюбели за фиксиране подходящи за по-голямата част от стените и таваните.

При все това, Ви препоръчваме да се посъветвате с квалифициран техник, за да сте сигурни, че доставените

аксесоари са подходящи за целта. Стената, съответно таванът, трябва да бъдат достатъчно стабилни за да издържат на натоварването.

## НАЧИН НА УПОТРЕБА

Ако при готвене се отделя много пара, преминете на максимален режим на работа. Препоръчително е да включите аспиратора 5 минути преди да започнете да готвите и да го оставите да работи още 15 минути след като приключите.

### WHI661STX, WHI641ST, WHI961STX, WHI961ST, WHT961STX, WHT941ST



За да изберете дадена функция е достатъчно да докоснете командите

- T1. Stand by** (контролният панел е изключен – всички функции са деактивирани) / **ON** (контролният панел е включен)  
**Забележка:** След около една минута работа (аспиране и осветление), аспираторът се връща автоматично в режим stand/by.
- T2. ON/OFF осветление**  
**Само при някои модели (вж. чертежа по-горе):**  
Натиснете няколко пъти, за да изберете желаната интензивност:  
**L1:** слабо осветление  
**L2:** умерено осветление  
**L3:** силно осветление  
Натиснете още веднъж, за да изключите осветлението.
- T3. ON/OFF Автоматичен режим на работа**  
Аспираторът се задейства автоматично на **1-ра** скорост (мощност) на аспиране и увеличава скоростта, ако условията на средата, отчетени от сензора покажат, че е необходимо.  
При липса на промени в условията на средата, след 10 минути аспираторът се изключва (ако е вече е преминал на 1-ва скорост (мощност) на аспиране.  
**Забележка:** за правилното използване на тази функция изпълнете първо **"Регулиране на параметрите за автоматично функциониране"** (вж. съответния параграф).  
**Забележка:** По време на автоматичния режим на работа, ако потребителят задейства някоя друга функция, която регулира скоростта, функцията авто вентилация се деактивира.
- T4 Ръчно избиране на скоростта (мощността) на аспиране:**  
**L4:** 1-ва скорост (мощност) на аспиране  
**L5:** 2-ра скорост (мощност) на аспиране  
**L6:** 3-та скорост (мощност) на аспиране  
Натиснете още веднъж, за да изключите аспиратора (OFF).  
**Забележка:** при ръчно въвеждане на командите се деактивират всички останали функции, свързани с аспирането.
- T5. ON/OFF интензивна скорост (мощност) на аспиране "POWER BOOST"** (с определено времетраене)  
**Забележка:** След 5 минути на работа аспираторът преминава в предишното състояние.
- T6\*. (Само при някои модели) ON/OFF на интензивната скорост (мощност) на аспиране "POWER BOOST x 2"** (с определено времетраене)  
**Забележка:** След 5 минути на работа аспираторът преминава в предишното състояние.
- T7. ON/OFF начин на работа "Смяна на въздуха"**  
На всеки 50 минути неактивност, се активира за 10 минути 1-вата скорост (мощност) на аспиране.
- T8. ON/OFF Забавено изключване на скоростта (мощността) на аспиране (около 30 минути)**  
**Забележка:** тази функция е предвидена за скоростите, които се избират чрез бутон **T4**.

## **T9. Индикатор и нулиране замърсяването на филтъра**

Бутонът се включва автоматично и свети с непроменлива светлина, когато е необходимо да се извърши поддръжка на филтъра за мазнини.

Бутонът се включва автоматично и премигва, когато е необходимо да се извърши поддръжка на филтъра с активен въглен.

След като извършите поддръжката, при изключен аспиратор, натиснете бутона и задръжте в продължение на повече от 3 секунди, за да нулирате индикатора за замърсяване на филтрите, повторете операцията ако е необходимо (например ако са замърсени и двата филтъра).

### **Активиране на индикатора за замърсяване на филтъра с активен въглен**

По принцип индикаторът за замърсяване на филтъра с активен въглен е деактивиран. За да го активирате изпълнете следните операции:

При включен дисплей (ON) и изключено аспириране (OFF) натиснете едновременно бутони **T8** и **T9** и задръжте в продължение на повече от 3 секунди. Бутонът **T9** свети с **постоянна светлина** в продължение на около 5 секунди, което означава, че е активиран.

За да го деактивирате, повторете операцията. Бутонът **T9** премигва в продължение на около 5 секунди, което означава, че е деактивиран.

## **Регулиране на параметрите за автоматично функциониране**

С оглед на безпроблемното функциониране на автоматичния режим на работа извършете „Калибриране на аспиратора“ и „Избор на готварския плот“.

### **Калибриране на аспиратора**

При включен аспиратор (ON) и изключено аспириране (OFF), натиснете бутона **T4** и задръжте в продължение на 5 секунди.

Задейства се втората скорост (мощност) на аспириране, а бутонът **T4** започва да премигва, което означава, че е започнало калибрирането на аспиратора, което трае около 15 минути.

**Забележка:** за да преустановите калибрирането, натиснете бутон **T4** и задръжте в продължение на 5 секунди; калибрирането е невалидно и трябва да бъде повторено.

## **Модел с 2 нива на интензивна мощност T5 (POWER BOOST) и T6 (POWER BOOST x 2)**

### **Избор на готварски плот**

При включен аспиратор (ON) и изключено аспириране (OFF), натиснете бутон **T3** и задръжте в продължение на 5 секунди.

Бутоните **T3**, **T5** и **T6** се включват.

## **Модел с 1 ниво на интензивна мощност T5 (POWER BOOST)**

Бутоните **T3**, **T7** и **T8** се включват.

За газови котлони натиснете бутон **T7** - бутонът започва да премигва, което означава, че изборът е направен.

За електрически котлони натиснете бутон **T8** – бутонът започва да премигва, което означава, че изборът е направен.

## **ПОДДРЪЖКА**

**Внимание! Преди каквато и да е операция свързана с почистване или поддръжка изключете аспиратора от ел.мрежата, като извадите щепсела или изключите главния прекъсвач на жилището.**

### **Почистване**

Аспираторът трябва да се почиства често (или поне толкова на често колкото почиствате филтрите), както отвътре така и отвън. Използвайте навлажнена кърпа и неутрални течни почистващи препарати.

Избягвайте препарати, които съдържат абразивни частици.

**Внимание! Не почиствайте никога със спирт!**

**Внимание!** Неспазването на нормите за почистване на аспиратора и за подмяна на филтрите води до рискове от пожар.



Спазвайте строго посочените инструкции!

Не се поема никаква отговорност за евентуални щети нанесени по мотора и пожари, възникнали вследствие на неправилна поддръжка или неспазване на настоящите инструкции.

### **Филтър за мазнини**

#### **Филтърът задържа мазните частици, отделяни при готвене.**

Почиства се веднъж месечно с неутрални препарати. Мие се ръчно или в съдомиялна машина на ниска температура и кратък режим на измиване.

При миене на филтъра за мазнини в съдомиялна машина е възможно той да се обезцвети, но това в никакъв случай не намалява способността му на филтриране.

За да разглобите филтъра за мазнините, дръпнете дръжката с пружинен механизъм.

### **Филтър с активен въглен (само за филтрираща версия)**

#### **Задържа неприятните миризми, които се отделят при пържене.**

Филтърът с активен въглен се запушва приблизително след дълъг период на използване в зависимост от начина на готвене и от това колко често почиствате филтъра .

Във всеки случай е необходимо да подменяте филтъра с активен въглен на всеки четири месеца или когато индикаторът за засищане на филтрите показва, че е необходимо.

Не се мие нито може да се използва повторно.

### **Подмяна на ел. крушки**

Аспираторът разполага с осветителна система със СВЕТОДИОДИ.

СВЕТОДИОДИТЕ гарантират оптимално осветление, до 10 пъти по-силно от традиционните лампи и позволяват 90% икономия на електроенергия.

За подмяна се обърнете към сервиза за техническо обслужване.

## КК - СУЫРУ ҚАЛПАҒЫ

Дайындаушы аспапты пайдалану барысында бұл нұсқауда белгіленген қолдану шарттарын сақтамағанның кесірінен болған олқылық өрт пен зақым үшін жауап бермейді. Сорғыш тек қана үйде пайдалануға болатындай етіп жобаланған. Қақпақ осы кітапшада көрсетілген суреттерден өзгеше болып көрінуі мүмкін. Дегенмен, қолдану, техникалық қызмет көрсету және орнату нұсқаулары бірдей болады. ! Кезкелген уақытта бұл нұсқаумен пайдалану үшін ақтаған маңызды. Бұйым сатылған, тапсырған немесе жойылған кезде ол онымен бірге қалғанына көз жеткізіңіз.

- ! Нұсқауды мұқият оқыңыз: онда бұйымды қондыру, пайдалану және қауіпсіздік жөнінде маңызды мәлімет бар.
- ! Бұйымның электрондық немесе механикалық конструкциясында немесе сорғыш вентиляциялық каналдарында ешқандай да өзгерістер жасамаңыз.
- ! Орнатуды орындамас бұрын берілген барлық құрамдастардың зақымдалмағанын тексеріңіз немесе орнатуды жалғастырмас бұрын делдалға хабарласыңыз.

**Ескерту:** "\*" белгіленген бөлшектер қосымша аксессуар болып табылады және тек кейбір сатып алған үлгілерде ғана болады, немесе қамтамасыз етілмейді, онда бөлек алу қажет.



### Нұсқаулар

**скерту!** Аспапты қондыру операциясы толық аяқталмағанша электр желісіне қоспаңыз! Тазалау мен күту операциясына кіріспестен бұрын вилканы шығарып немесе электр желісінің ортақ ажыратқышынан суырып сорғышты желіден ажыратыңыз.

Барлық тазалау мен күту операциясын істеу барысында жұмыс қолғабын киіңіз!

Балалар мен ақыл есі кем адамдарға немесе жеткілікті білмейтін, тәжірибесі жоқ адамдарға, егер бақылаусыз болса, немесе егер олардың қауіпсіздігіне жауапты адам жағынан аспапты қолдану үйретілмесе бұл аспаппен қолдану жарамайды.

Аспаппен ойнамау үшін балаларды қараусыз қалдырмаңыз.

Егер торы дұрыс қондырылмаса сорғышты пайдаланбаңыз!

Өдейі ескертілмеген жағдайда сорғышты тіреу жазықтығы ретінде қолдануға тыйым салынады.

Ас үйде сорғышты газбен жанатын және басқа жанармай арқылы жанатын басқа аспаптармен қолданған кезде бөлменің ауа айналымын тиісті түрде қамтамасыз етіңіз.

Сорылған ауа газбен жанатын немесе басқа жанармай арқылы жанатын аспаптардан түтін шығаруға арналған ауаөткізгіш арқылы кері сыртқа шығарылмауы тиіс.

«Жалынның астында» пісіретін тағамдарды дайындауға мүлдем тыйым салынады, себебі жалын фильтрлерге зақым келтіріп өрттің пайда болуына әкелуі мүмкін, сондықтан бұл әдістен аулақ болыңыз.

Қатты қызып кеткен майдың тұтануы мүмкін болғандықтан майда қуырылатын тағамдар әрдайым бақылауда болуы тиіс.

Пісіруге арналған басқа құралдармен бірге қолданған кезде аспаптың жетімді бөліктері қатты қызуы мүмкін.

Техникалық шаралар мен түтін шығаруда техникалық қауіпсіздік шарттары жөнінде білікті жергілікті әкімшілік белгілеген алдын алу тәртіп ережелерін сақтаңыздар!

Сорғышты ішінен және сыртынан мерзімді тазалап тұру қажет (берілген нұсқауда белгіленген шарттарға сәйкес АЙЫНА БІР РЕТ).

Нұсқаудағы сорғышты тазалау мен фильтрлерді тазалап ауыстыру ережелерін сақтамау өрттің пайда болуына әкелуі мүмкін.

Электр тоғы соғуы мүмкін болғандықтан дұрыс қондырылмаған лампшасымен сорғышты пайдаланбаңыз және қалдырмаңыз.

Біз аспапты пайдалану барысында бұл нұсқауда белгіленген қолдану шарттарын сақтамағанның кесірінен болған олқылық өрт пен зақым үшін жауап бермейміз.

Электрлік және электрондық аспаптарды қайта пайдаға асыру жөніндегі 2002/96/EC Европалық директивке (WEEE) сәйкес берілген өнім таңбаланды.

Берілген өнімді дұрыс қайта пайдаға асыруды қамтамасыз етумен, Сіз қоршаған ортаға және адам денсаулығына

кері әсерін тигізу ді болдырмауға көмектесесіз.



Аспаптағы немесе жолдама құжаттағы таңбасы берілген аспапты қайта пайдаға асыруда әдеттегі тұрмыстық қалдық ретінде игеруге болмайтынын көрсетеді. Оның орнына электрлік және электрондық аспаптарды қайта пайдаға асыруға арналған қабылдау пунктіне тапсыру керек.

Бұзуға тапсыру аспапты қайта пайдаға асыру жөніндегі жергілікті ережелерге сәйкес шығарылуы тиіс.

Бұндай өнімдерді пайдалану, қайта пайдаға асыру ережелері жөнінде толық ақпаратты жергілікті әкімшілік орындарынан, қалдықтарды қайта пайдаға асыру қызметінен немесе берілген өнімді Сіз сатып алған дүкенен ала аласыз.

Құрылғы келесілерге сай жобаланған, сыналған және жасап шығарылған:

- Қауіпсіздік: EN/IEC 60335-1; EN/IEC 60335-2-31, EN/IEC 62233.
- Өнімділік: EN/IEC 61591; ISO 5167-1; ISO 5167-3; ISO 5168; EN/IEC 60704-1; EN/IEC 60704-2-13; ISO 3741; EN 50564; IEC 62301.
- ЭМУ: EN 55014-1; CISPR 14-1; EN 55014-2; CISPR 14-2; EN/IEC 61000-3-2; EN/IEC 61000-3-3.

Қоршаған ортаға әсерді азайту үшін дұрыс пайдалану туралы нұсқаулар:

Өзірлеуді бастағанда қақпақты ең аз жылдамдықпен қосыңыз және өзірлеу аяқталғаннан кейін біраз минут бойы жұмыс істетіңіз. Жылдамдықта тек түтіннің және будың үлкен мөлшері жағдайында арттырыңыз және күшейту жылдамдығын(қтарын) тек шекті жағдайларда пайдаланыңыз. Жақсы жағымсыз иісті азайту тиімділігін сақтау үшін қажет болғанда көмір сүзгісін(лерін) ауыстырыңыз. Жақсы май сүзгісі тиімділігін сақтау үшін қажет болғанда май сүзгісін(лерін) ауыстырыңыз. Тиімділікті оңтайландыру және шуды барынша азайту үшін осы нұсқаулықта көрсетілген өткізу жүйесінің ең үлкен диаметрін пайдаланыңыз.

**ЕСКЕРТУ!** Бұрандаларды немесе бекітуші құрылғыны осы нұсқауларға сәйкес орнатпау электрлік ток соғудың қаупін тудырады.

## ПАЙДАЛАНУ

Сорғыш сыртқа ауа бұрғышы бар тарту желдеткіш ретінде, немесе ішкі қайта айналу сүзгіші ретінде пайдалануға арналған.



### Түтін шығару құбырының нұсқасы

Бу сыртқа біріктіруші фланецке қосылған сорғыш құбыр арқылы шығарылады. Сорғыш құбырдың диаметрі біріктіруші сақинаның диаметрімен теңдес болу керек.

**Назар аударыңыз!** Сорғыш құбыры сорғыш жинақтамасымен жеткізілмейді, оны бөлек сатып алу керек.

Ауаны сыртқа жақсырақ шығару үшін, көлбеу қабырғада құбырды азғана (шамамен 10°) көтеріңкіреу керек.

Сорғышты қабырғадағы сорғыш құбырлары мен ауа шығаратын тесіктердей, сол диаметрдегі тесіктерге қосыңыз (біріктіруші фланец).

Қабырғадағы сорғыш құбырлары мен кемдеу диаметрдегі тесікті пайдалану, сору қуатын нашарлатып, гүрілдеуін күшейтеді.

Қажетті минималды ұзындықтағы түтікті қолданыңыз.

! Барынша көп иілімі бар түтікті қолданыңыз (иілімнің максималды бұрышы: 90°).

! Түтіктің көлденең қимасында түбегейлі өзгерістерді болдырмаңыз.

! Түтікті ішінде мүмкін болғанша бірқалыпты қолданыңыз.

! Түтік сертификатталған материалдан жасалуы тиіс.



## Сүзгі нұсқасы

Ол үшін бір көмір сүгісі қажет, оны әдеттегі сатушылардан алуға болады.

Сүзгі шығарылған ауаны жоғарғы шығыс торы арқылы бөлмеге қайта жіберу алдыда оны май мен иістерден тазартады.

## ОРНАТУ

Сорғыштың төменгі қыры мен ыдыс астындағы тіреуіш жазықтығының ара қашықтығы электр плитасы үшін 50см, ал газ немесе біріктірілген плиталар үшін 65см ден кем болмауы тиіс.

Егер нұсқауда газ плитасын орнатуға артығырақ ара қашықтық белгіленген болса, оны ескеріңіз.



## Электр қосылым

Желінің кернеуі аспаптың ішінде орналасқан тақтайшада белгіленген техникалық деректердей кернеуге сәйкес келуі керек. Егер сорғыш вилкамен жабдықталған болса, орнатылғаннан кейін де істеуге болатын, қол жетерлік жерде болуы тиіс, істеп тұрған ережелерге сәйкес алмалы- салмалы штепсельге сорғышты қосыңыз. Егер сорғыш вилкамен жабдықталмаған болса (желіге тура қосылу), немесе алмалы-салмалы штепсель орнатылғаннан кейін де қол жетерлік жерде болмаса, онда орнату нұсқауына сәйкес 3-дәрежедегі асқын кернеуді болдырмайтын және желінің толық ашылуын қамтамасыз ететін тиісті екіполюстік ажыратқышты пайдаланыңыз.

**ЕСКЕРТУ!** қорек желісіне сорғыштың электрлік жүйесін қосу алдында қорек кабелі дұрыс монтаждалғанына көз жеткізіңіз.

Суыру қалпағы арнайы нәр беруші сымжелімен жабдықталған. Сымжелі бұзылған жағдайда оны ауыстыру үшін тиісті қызмет көрсету орталықтарына барыңыз.

## монтаждау

Өте ауыр өнім; Сорғыш өңдеу және орнату, кем дегенде, екі адам арқылы жүзеге асырылуы тиіс.

### Орнатуды бастау алдында:

- Өнімнің өлшемі орнату орны үшін дұрыс екенін тексеріңіз.
- Белсенді көмір сүзгісін(лерін) (қамтылған болса) (басқа жерді қараңыз) алыңыз. Қақпақтың сүзгі нұсқасын пайдаланғыңыз келсе, оны/оларды алу керек.
- Ішінде бұрандалар, кепілдік картасы, т.б. сияқты бар сөмкелер сияқты қақпақ ішіндегі қосалқы құралдарды (сонда оңай тасымалдау үшін орналастырылған) тексеріңіз. Оларды алып, қауіпсіз орында сақтаңыз.
- Мүмкін болса, ең жақсы мүмкін қатынас болуы үшін орнату орнының (қабырға немесе төбе) астындағы және айналасындағы барлық құрылғыларды ажыратыңыз және алыңыз.. Я болмаса, осы аумақтағы кез келген құрылғыларды және басқа бөліктерді қорғаңыз. Тегіс бетті таңдаңыз, оны қақпақпен қорғаңыз және оған қақпақ пен оның қосалқы құралдарын қойыңыз.
- Содан кейін маңайда қақпақ орнатылғаннан кейін өлі қол жеткізуге болатын және сыртқа түтін шығару құбырын жалғауға болатын (тек түтін шығаратын құбыр нұсқасында) розетка бар екенін тексеріңіз.
- Кез келген қажет қалау жұмысын (мысалы, розетканы және түтін шығару құбырына арналған тесікті орнату) орындаңыз.

Сүзгі көптеген қабырға/төбе түрлеріне сәйкес келетін бекіткіштермен (фиксаторлармен) қамтамасыздандырылған. Алайда, материалдар берілген қабырға/төбе түріне сәйкестігіне көз жеткізу үшін білікті маманға жолығыңыз. Сүзгі салмағын көтере алатындай қабырға/төбе жеткілікті мықты болуы керек.

## ПАЙДАЛАНУ

Астың булану концентрациясы едәуір көбейген кезінде, сорғыштың қарқынды тәртібін пайдаланыңыз. Біз сорғышты тамақ пісіру алдында 5 мин бұрын қосуға, және пісіріп болғаннан кейін 15мин қосып қалдыруға кеңес береміз.

### WHI661STX, WHI641ST, WHI961STX, WHI961ST, WHT961STX, WHT941ST

T1	T2	T3	T4	T5	T6*	T7	T8	T8
	 —————		 —————					

Сорғыштың функцияларын таңдау үшін жай ғана басқару элементтерін түртіңіз.

- T1. Күту режимі** (басқару панелі өшірулі – барлық функциялар өшірулі) / ҚОСУ (басқару панелі қосулы)  
**Ескертпе:** Бір минут бойы ешқандай әрекет орындалмаса (сору функциясы және шамдар), сорғыш автоматты түрде күту режиміне ауысады.
- T2. Шамдарды ҚОСУ/ӨШІРУ**  
Тек белгілі бір үлгілерде (жоғарғы суретті қараңыз):  
қажетті жарық қарқындылығын таңдау үшін қайта-қайта басыңыз:  
L1: күңгірт жарық  
L2: орташа жарық  
L3: көтеріңкі жарық  
Шамдарды өшіру үшін қайта басыңыз.
- T3. Автоматты жұмыс істеуді ҚОСУ/ӨШІРУ**  
Сорғыш датчигі арқылы анықталған қоршаған орта жағдайлары үшін қажет болса, сорғыш 1-ші сору жылдамдығын арттыру үшін автоматты түрде орнатады.  
Қоршаған орта жағдайларында ешқандай өзгеріс болмаса, 10 минуттан кейін (сорғыш 1-сору жылдамдығына (қуат) орнатылып қойылған болса) сорғыш өшеді.  
**Ескертпе:** Осы функцияны дұрыс пайдалану үшін алдымен «Автоматты жұмыс істеу параметрлерін орнату» (сәйкес параграфты қараңыз) процедурасын орындаңыз.  
**Ескертпе:** Автоматты жұмыс істеу барысында пайдаланушы жылдамдықты реттейтін басқа функцияларды басқарса, автоматты желдету функциясы өшеді.
- T4. Сору жылдамдығын (қуат) қолмен таңдау:**  
L4: 1-ші сору жылдамдығы (қуат)  
L5: 2-ші сору жылдамдығы (қуат)  
L6: 3-ші сору жылдамдығы (қуат)  
Сорғышты өшіру (OFF) үшін қайта басыңыз.  
**Ескертпе:** қолмен таңдау әрекеті орнатылған функцияға қатысты кез келген басқа сору мүмкіндігін шеттетеді.
- T5. Қарқынды сору жылдамдығын (қуат) ҚОСУ/ӨШІРУ «POWER BOOST»** (уақытқа негізделген)  
**Ескертпе:** 5 минут жұмыс істегеннен кейін сорғыш алдыңғы күйге оралады.
- T6\*.** (Тек белгілі бір үлгілерде) Қарқынды сору жылдамдығын (қуат) ҚОСУ/ӨШІРУ «POWER BOOST x 2» (уақытқа негізделген)  
**Ескертпе:** 5 минут жұмыс істегеннен кейін сорғыш алдыңғы күйге оралады.
- T7. «Ауаны тазалау» жұмыс режимін ҚОСУ/ӨШІРУ**  
Өр 50 минут бойы ешқандай әрекет орындалмаса, 1-ші сору жылдамдығы (қуат) 10 минутқа қосылады.
- T8. Сору жылдамдығының (қуат) кідірілген өшіру функциясын ҚОСУ/ӨШІРУ (шамамен 30 минут)**  
**Ескертпе:** бұл функция T4 түймесімен таңдауға болатын жылдамдықтар үшін қолжетімді.
- T9. Индикатор және қалпына келтірілген сүзгі қанықтығы**  
Май сүзгісіне техникалық қызмет көрсету қажет болған кезде түйме автоматты түрде тұрақты жарықпен жанады.

Көмір сүзгісіне техникалық қызмет көрсету қажет болған кезде түйме автоматты түрде жыпылықтап жанады. Техникалық қызмет көрсеткеннен кейін сорғыш өшірулі және түйме қосулы күйде сүзгінің қанықтық индикаторын қалпына келтіру үшін түймені 3 секундтан артық басып тұрыңыз; қажет болса, әрекетті қайталаңыз (мысалы, екі сүзгі де қанық болған кезде).

Көмір сүзгісінің қанықтық индикаторын іске қосу

Көмір сүзгісінің қанықтық индикаторы әдетте өшірулі болады. Оны іске қосу үшін келесі әрекеттерді орындаңыз:

Дисплей қосулы (ON) және сору функциясы өшірулі (OFF) күйде **T8** және **T9** түймелерін бір мезгілде 3 секундтан артық басып тұрыңыз; **T9** түймесі іске қосылғанын көрсету үшін **тұрақты жарықпен** шамамен 5 секундқа жанады. Оны өшіру үшін әрекетті қайталаңыз; **T9** түймесі өшкенін көрсету үшін шамамен 5 секундқа жыпылықтайды.

### **Автоматты жұмыс істеу параметрлерін орнату**

Автоматты жұмыс істеу параметрін дұрыс пайдалану үшін «Сорғышты калибрлеу» және «Конфорканы таңдау» процедурасын орындаңыз.

### **Сорғышты калибрлеу**

Дисплей қосулы (ON) және сору функциясы өшірулі (OFF) күйде **T4** түймесін 5 секунд бойы басып тұрыңыз.

2-ші сору жылдамдығы (куат) жұмыс істей бастайды және **T4** түймесі сорғышты калибрлеу процедурасы басталып, шамамен 15 минут бойы жалғасатынын көрсету үшін жыпылықтайды.

**Ескертпе:** калибрлеу процедурасын тоқтату үшін **T4** түймесін 5 минут бойы басыңыз; калибрлеу процедурасы орындалмайтындықтан, қайталануы қажет болады.

### **Конфорканы таңдау**

Дисплей қосулы (ON) және сору функциясы өшірулі (OFF) күйде **T3** түймесін 5 секунд бойы басып тұрыңыз. **T5 (POWER BOOST)** және **T6 (POWER BOOST x 2)** қарқынды қуатының 2 деңгейі бар үлгі **T3**, **T5** және **T6** түймелері жанады.

Газ конфоркасына арналған **T5** түймесін басыңыз, түйме таңдалғанын көрсету үшін жыпылықтайды.

Электр конфоркасына арналған **T6** түймесін басыңыз, түйме таңдалғанын көрсету үшін жыпылықтайды.

**T5 (POWER BOOST)** қарқынды қуатының бір деңгейі бар үлгі **T3**, және **T7 T8** түймелері жанады.

Газ конфоркасына арналған **T7** түймесін басыңыз, түйме таңдалғанын көрсету үшін жыпылықтайды.

Электр конфоркасына арналған **T8** түймесін басыңыз, түйме таңдалғанын көрсету үшін жыпылықтайды.

### **Техникалық қызмет көрсету**

**Ескерту!** Кез келген тазалау немесе техникалық қызмет ету операциясын жасаудан бұрын, вилканы шығарып немесе бөлменің басты ажыратқышын суырып сорғышты электр желісінен ажыратыңыз.

### **Тазалау**

Сорғыш ішінен және сыртынан жиі тазаланып тұруы қажет (кем дегенде шамамен майды ұстап қалатын фильтрді тазалау мерзіміне сәйкес). Тазалау үшін бейтарап жуғыш затпен суланған арнайы шүберекті пайдаланыңыз. Абрязиялық қоспасы бар затты пайдаланбаңыз.

### **СПИРТТІ ПАЙДАЛАНБАҢЫЗ!**

**Ескерту:** Фильтрді ауыстыру және аспапты тазалау ережелерінің сақталынбауы өрттің пайда болуына әкелуі мүмкін. Сондықтан берілген нұсқаумен пайдалануға кеңес береміз.

Жоғарыда көрсетілген ескертулерді сақтамағандықтан немесе дұрыс емес жөндеу салдарынан болған өрт немесе қозғауыштың бүлінуіне байланысты барлық жауапкершілік алынады.

### **Май сүзгісі**

**Ас дайындаудағы май бөлшектерін ұстап қалады.**

Фильтрді ай сайын агрессивті емес жуғыш заттармен, қолмен немесе ыдысжуғыш машинада, төмен температурада, үнемді тазалау тәртібінде жуу керек.

Ыдысжуғыш машинада жуылған май ұстайтын фильтр түссізденуі мүмкін, бірақ одан оның сүзгіш қасиеті мүлде өзгеріссіз қалады.

Май сүзгісін алып тастау үшін серіппелі босату тұтқасын тартыңыз

### **Белсенді көмір сүзгісі (тек сүзгі бар нұсқада)**

**Ас пісірген кезде жарамсыз иісті ұстап қалады.**

Көмірлі фильтрдің қанығуы ұзақ пайдалану мерзімінің қысқа немесе ұзақ өтуіне байланысты болады, ол ас үйдің түрі мен майды ұстайтын фильтрді ұстанылған мерзімділік тазалаумен алдын ала анықталады. Қандай жағдай болса да, картриджді кем дегенде 4 айда бір рет ауыстырыңыз.

Көмірлі фильтрді жууға болмайды және де регенерацияға жарамсыз.

### **Шам ауыстыру**

Корпус жарық диод технологиясына негізделген жарық жүйесімен жабдықталған.

Жарық диодтары оңтайлы жарықты, әдеттегі шамдардан 10 есе артық ұзақтықты қамтамасыз етеді және 90% электр энергиясын сақтауға мүмкіндік береді.

Ауыстыру үшін техникалық қызмет көрсету бөліміне хабарласыңыз.



Өнім сапасына қойылатын талаптарды мына мекен-жай бойынша жіберуінізді сӨраймыз:  
ӨзаӨстан Республикасы, Алматы Өаласы, Бегалин  
Ө. 19\49, Пр-во "Gorenje", Претензин по качеству  
продукци направлят по адресу Республика  
Казахстан,, г. Алматы, ул. Бегалина, дом 19\49,  
Пр-во "Gorenje" 8 (727) 293 03 07

Польшада жасалған

## МК - АСПИРАТОР

Придржувајте се строго до упатствата дадени во овој прирачник. Ние одбиваме билокаква одговорност за билокаков проблем, штета или пожар предизвикан на апаратот како резултат на наследење на упатствата вклучени во овој прирачник. Аспираторот е наменет исклучиво за домашна употреба.

Аспираторот може да се разликува по изгледот од сликите во ова упатство, но сепак упатствата за употреба, одржувањето и упатствата за инсталирање остануваат исти.

! Важно е да го зачувате ова упатство за да би можеле да го консултирате во било кој момент. Во случај на продажба, расходување или на преместување, нека остане заедно со производот.

! Прочитајте ги внимателно упатствата: Овде има важни информации за инсталирањето, за употребата и за безбедноста.

! Не вршете електрични или механички измени на производот или на издувните канали.

! Пред да почнете со монтирање на апаратот проверете да не се оштетени компонентите. Во спротивно, обратете се кај вашиот дистрибутер и не продолжувајте со монтирањето.

**Забелешка:** Додатоците означени со симболот "(\*)" се факултативен додатен прибор кои се вклучени само во неколку модели, а ако не се вклучени во моделот треба да се набават.



### ВАЖНИ СОВЕТИ

**Предупредување!** Да не го поврзвате апаратот со електричното напојување се додека монтажата не биде целосно комплетна.

Пред билокаква операција за чистење или одржување, исклучете го аспираторот од електричната мрежа со вадење на струјниот приклучник или со исклучување на домашниот мрежен прекинувач.

За сите операции за монтажа и одржување да се користат работни ракавици

Овој апарат не е наменет за користење од страна на деца или лица со намалени физички, сензорни или ментални способности, или ако немаат искуство или знаење, доколку не се под надзор или се имаат обучувано за употреба на апаратот од лице одговорно за нивната безбедност.

Треба да се внимава, децата да не си играат со уредот.

Никогаш не користете го аспираторот ако ја немате правилно монтирано решетката!

Аспираторот НИКОГАШ не смее да се користи како површина за поддршка доколку не е прецизно наведено.

Просторијата мора да биде доволно проветрена кога кујнскиот аспиратор се користи заедно со апарати кои согоруваат гас или други горива.

Издувниот воздух не смее да се предава во активен оџак за чад створен од апарати кои согоруваат гас или други горива.

Строго се забранува фламбурање на храната под самиот аспиратор.

Употребата на отворени пламени е штетна за филтрите и може да предизвика ризик од пожар и поради тоа мора да се избегнува во сите околности.

Секое пржење мора грижливо да се направи со цел да се спречи да не дојде до презагревање на маслото и пламнување.

Пристангите делови од аспираторот можат значително да се загреат кога се користи заедно уред за готвење.

Што се однесува до техничките и безбедносните мерки за примена за исфрлање на пареа важно е внимателно да се следат правилата дадени од компетентните власти.

Аспираторот мора редовно да се чисти како од внатрешноста така и од надворешноста (НАЈМАЛКУ ЕДНАШ МЕСЕЧНО, во секој случај потребно е да се постапува во согласност со упатствата за одржување дадени во овој прирачник).

Ако не се следат упатствата за однос на аспираторот и чистењето на филтрите ќе доведе до ризик од пожари.

Да не го користите или оставате аспираторот без правилно монтирани сијалици поради можниот ризик од електричен удар.


Ние одбиваме билокаква одговорност за билокаков проблем, штета или пожар предизвикан на апаратот како резултат на наследење на упатствата вклучени во овој прирачник.

Овој апарат е обележан согласно Европската директива 2002/96/ЕС за Искористена Електрична и Електронска Опрема (Waste Electrical and Electronic Equipment - WEEE). Со правилно отстранување на овој производ помагате да се спречат



потенцијалните негативни последици за околината и здравјето на човекот, што инаку би се предизвикале од несоодветното третирање како отпадок на овој производ.



Симболот  прецртана канта за губре на производот или на документите кои одат со производот, покажува дека тој апарат не смее да се третира како комунален отпад. Напротив би требало да се однесе до соодветното место за собирање за рециклирање на електрична и електронска опрема. Отстранувањето мора да се изврши во согласност со локалните прописи за животната средина за отстранување на отпаден материјал. За повеќе детални информации за третманот, поправањето и рециклирањето на овој производ Ве молиме контактирајте со Вашите локални власти, Вашата комунална служба или со продавницата од каде го имате купено производот.

Апаратот е дизајниран, тестиран и произведен според:

- Безбедност: EN/IEC (скр) 60335-1; EN/IEC(скр) 60335-2-31, EN/IEC(скр) 62233.
- Можности: EN/IEC (скр) 61591; ISO (скр) 5167-1; ISO (скр) 5167-3; ISO(скр) 5168; EN/IEC (скр) 60704-1; EN/IEC(скр) 60704-2-13; ISO (скр) 3741; EN (скр) 50564; IEC(скр) 62301.
- EMC(скр): EN(скр) 55014-1; CISPR (скр) 14-1; EN(скр) 55014-2; CISPR (скр) 14-2; EN/IEC (скр) 61000-3-2; EN/IEC(скр) 61000-3-3.

Предлози за исправна употреба за да се намали влијанието врз животната средина Уклучете го поклопниот аспиратор на минимална брзина на почеток на готвењето и оставете го да работи уште неколку минути по завршувањето на готвењето. Зголемете ја брзината само во случај на голема количина на чад и параа и користете ја форсираната брзина во ретки ситуации. Заменете го филтерот (-рите)на активен јаглен кога е потребно да се задржи ефикасноста на намалување на мирис. Исчистете го филтерот за масти(-рите) кога е потребно да се задржи неговата ефикасност. Користете максимален дијаметар на изводниот систем прикажан во овој прирачник да се оптимизира ефикасноста и да се намали бучавата.

**Предупредување!** Неуспехот да се монтираат шрафовите или уредот за фиксирање во согласност со овие инструкции може да доведе до електрични опасности.

## УПОТРЕБА

Аспираторот може да се користи во вид со надворешно исфрлање на издувниот воздух или со филтер во вид со кружно струење на воздухот.



### Вид со надворешно исфрлање на издувниот воздух

Пареата се исфрла на надвор преку една издувна цевка позиционирана на приклучната прирабница.

Дијаметарот на издувната цевка треба да биде еднаков со дијаметарот на прстенот за поврзување.

**Предупредување!** Издувната цевка не е доставена и таа треба да се купи.

Во хоризонталниот дел, цевката треба да има лесен нагиб на нагоре (околу 10°) за да може да го пренесува воздухот полесно на надвор.

Ако аспираторот е снабден со филтри со активен јаглен, истите треба да се отстранат.

Поврзете го аспираторот со цевките и отворите за издувување низ ѕид со дијаметар еднаков со излезот на воздухот (приклучна прирабница).

Употребата на издувни цевки и отвори за издувување низ ѕид со помал дијаметар ќе предизвика намалување на брзината на всмукување и драстично зголемување на бучавата.

Поради тоа се одбива билокаква одговорност која е последица на тоа.

! Користење на цевка подолга од неопходниот минимум.

! Користење на цевка со што е можно помал број на кривини (максимален агол на кривината: 90°).

! Избегнувајте драстични промени на пресекот на цевката.

! Користење на цевка со внатрешност колку што е можно повеќе мазна.

! Материјалот на цевката треба да биде нормиран.



## Варијанта со филтрирање

Всмуканиот воздух се ослободува од мастите и се деодорира пред повторно да се упати назад во просторијата. За користење на аспираторот во оваа варијанта потребно е да вградите дополнителен систем за филтрирање на база на активни јаглени.

## МОНТАЖА

Најмалото растојание помеѓу плочата од шпоретот за садовите за готвење и долниот раб на аспираторот да не биде помало од 50cm за електричните апарати за готвење и 65cm за гасните или комбинирани апарати за готвење. Ако упатството за монтажа за плинските плочи од шпоретот прецизираат поголемо растојание, морате да се придржувате до тоа.



### Приклучување на електрична енергија

Главното струјно напојување мора да одговара со оптегот покажан на етикетата за карактеристиките ставена внатре во аспираторот. Ако аспираторот оди со приклучник поврзете го во штекерот во согласност со струјните прописи и позициониран на пристапно место дури и по монтажата. Ако не е снабден со приклучник (директна врска со електричното напојување) или ако приклучникот не е лоциран на пристапно место, дури и по монтажата, применете биполарен прекинувач во согласност со стандардите кој обезбедува комплетно исклучување на електричното напојување под услови поврзани со преоптоварување на мрежата категорија III, во согласност со упатството за монтажа.

**Предупредување!** Пред (повторно) поврзување на колото од аспираторот со електричното напојување и проверувањето на функционалноста, секогаш проверете дали струјниот кабел е правилно монтиран.

Аспираторот е снабден со специјален кабел за напојување; во случај на оштетување на кабелот, побарајте помош од стручна техничка служба.

## Вградување

Производ со прекумерна тежина, поместувањето и монтирањето на аспираторот треба да се направи од најмалку две или повеќе лица.

Пред да се почне со монтирањето:

- Проверете дали купениот производ е со соодветни димензии за одбраниот простор за монтирање.
- Извадете го/ги филтерот/-те на активен јаглен ако се доставени (види го и соодветниот параграф). Тој/тие се монтира/-ат само ако сака да се користи аспираторот во варијанта со филтрирање.
- Проверете дали во внатрешноста на аспираторот (поради транспортот) нема материјал од опремата (на пример ќесиња со завртки и навртки, гаранции и др.), ако има извадете го и зачувајте го.
- Ако е можно откачете го и тргнете го мебелот под и околу просторот за монтирање (сидот или таванот) на аспираторот за да се има подобра пристапност. Меѓу другото заштитете го мебелот и сите други работи колку што може подобро. Одберете рамна површина и покријте ја со заштита каде што потоа ќе го ставите аспираторот и деловите од опремата.
- Проверете меѓу другото да во близина на просторот за монтирање на аспираторот (во простор кој е пристапен и со монтиран аспиратор) има на располагање електричен штекер и дека може да се поврзе на уред за исфрлување на пареите во надворешноста (само варијанта со всмукување).
- Направете ги сите потребни ѕидарски работи (на пр.: поставување на штекер и/или отвор за поминување на одводната цевка).

Аспираторот оди заедно со парчиња за прицврстување пригодни за поголемиот дел од ѕидови/тавани. И покрај тоа потребно е да побарате објаснување од квалификуван техничар за да ви потврди за прикладноста на материјалите според видот на сидот/таванот. Сидот/таванот треба да биде доволно цврст за да ја издржи тежината на аспираторот.

## ФУНКЦИОНИРАЊЕ

Користете ја најголемата брзина во случај на невообичаена концентрација на пареи во кујната. Ви препорачуваме да го вклучите издувањето 5 минути пред да започнете со готвењето и да го оставите да работи околу 15 минути по завршување на готвењето.

### WHI661STX, WHI641ST, WHI961STX, WHI961ST, WHT961STX, WHT941ST

T1	T2	T3	T4	T5	T6*	T7	T8	T8	
	 —————	 <sup>A</sup>		—————	P>	P>>		 <sup>30'</sup>	

За да ги одберете функциите на аспираторот доволно е само да ги допрете командите.

**T1. Состојба на подготвеност** (исклучена контролна табла - сите функции се деактивирани) / **ВКЛУЧЕНО** (вклучена контролна табла)

**Забелешка:** По околу една минута користење на аспираторот (всмуквање и светло), истиот се враќа автоматски во состојба на подготвеност.

**T2. Вклучување/исклучување на светлото**

**Само кај некои модели (види го цртежот погоре):**

притиснете повеќе пати за да ја одберете посакуваната јачина на светло:

**L1:** слабо светло

**L2:** средно слетво

**L3:** јако светло

притиснете уште еднаш за да го исклучите светлото.

**T3. Вклучување/исклучување на автоматско функционирање**

Аспираторот автоматски ја поставува 1-ра брзина (моќност) на всмукување за да се зголеми ако надворешните услови откриени од страна на сензорот на аспираторот тоа го бараат.

Ако нема промени на надворешните услови, по 10 минути (ако аспираторот е веќе во 1-ва брзина (моќност) на всмукување), аспираторот се исклучува.

**Забелешка:** за правилно користење на оваа функција направете прво „Регулирање на параметрите за автоматско функционирање“ (види го соодветниот параграф).

**Забелешка:** За време на автоматското функционирање ако корисникот ги користи другите функции за регулирање на брзината, функцијата автоматска вентилација се деактивира.

**T4. Рачно бирање на брзина (моќност) на всмукување:**

**L4:** 1-ва брзина (моќност) на всмукување

**L5:** 2-ра брзина (моќност) на всмукување

**L6:** 3-та брзина (моќност) на всмукување

притиснете уште еднаш за да го исклучите аспираторот (OFF).

**Забелешка:** рачното бирање ја исклучува секоја друга поставена функција во врска со всмукувањето.

**T5. Вклучување/исклучување на интензивна брзина (моќност) на всмукување „POWER BOOST“** (темпирана)

**Забелешка:** По 5 минути работа аспираторот се враќа на претходната состојба.

**T6\* (Само кај некои модели) Вклучување/исклучување на интензивна брзина (моќност) на всмукување „POWER BOOST x 2“** (темпирана)

**Забелешка:** По 5 минути работа аспираторот се враќа на претходната состојба.

**T7. Вклучување/исклучување на начин на функционирање „Промена на воздух“**

Секои 50 минути на неактивност се вклучува 1-ва брзина (моќност) на функционирање за 10 минути.

**T8. Вклучи/Исклучи Задоцнето исклучување на брзината (моќноста) на всмукување (околу 30 минути).**

**Забелешка:** оваа функција стои на располагање за брзините што може да се бираат со копчето **T4**.

**T9. Индикатор и ресетирање на заситеноста на филтрите**

Копчето се запалува автоматски со фиксно светло кога е потребно да се изврши сервисирање на филтерот за масти.

Копчето се запалува автоматски со трепкаво светло кога е потребно е да се изврши сервисирање на филтерот на јаглен.

По сервисирањето, при исклучен аспиратор и активно копче, притиснете го копчето повеќе од 3 секунди за да направите ресетирање на индикаторот на заситеност на филтрите, повторете ја операцијата ако е потребно (на пример во случај ако се заситени двата филтри).

#### **Активирање на индикаторот за заситеност на филтерот на јаглен**

Индикаторот за заситеност на филтерот на јаглен вообичаено е деактивиран. За да го активирате постапете на следниот начин:

При запален екран (ON) и исклучено всмукување (OFF) притиснете ги истовремено копчињата **T8** и **T9** повеќе од 3 секунди, копчето **T9** се запалува **со фиксно светло** околу 5 секунди за да го сигнализира активирањето.

За да го деактивирате, повторете ја операцијата, копчето **T9** ќе трепка околу 5 секунди за да сигнализира дека е деактивирано.

#### **Регулирање на параметрите за автоматско функционирање**

За правилно користење на автоматското функционирање направете „Калибрање на аспираторот“ и „Избор на плоча за готвење“.

#### **Калибрање на аспираторот**

При запален екран (ON) и исклучено всмукување (OFF), притиснете го копчето **T4** 5 секунди.

2-ра брзина (моќност) на всмукување започнува да функционира а копчето **T4** трепка за да сигнализира дека е активирано калибрањето на аспираторот коешто ќе трае околу 15 минути.

**Забелешка:** за да се прекине калибрањето притиснете го копчето **T4** 5 секунди; калибрањето ќе се поништи и ќе треба да се повтори.

#### **Избор на плоча за готвење**

При запален екран (ON) и исклучено всмукување (OFF), притиснете го копчето **T3** 5 секунди.

#### **Модел со 2 нивоа на интензивна моќност T5 (POWER BOOST) и T6 (POWER BOOST x 2)**

Копчињата **T3**, **T5** и **T6** се запалуваат.

Притиснете го копчето **T5** во случај на плоча за готвење на гас - копчето трепка за да го сигнализира изборот.

Притиснете го копчето **T6** во случај на електрична плоча за готвење - копчето трепка за да го сигнализира изборот

#### **Модел со 1 ниво на интензивна моќност T5 (POWER BOOST)**

Копчињата **T3**, **T7** и **T8** се запалуваат.

Притиснете го копчето **T7** во случај на плоча за готвење на гас - копчето трепка за да го сигнализира изборот.

Притиснете го копчето **T8** во случај на електрична плоча за готвење - копчето трепка за да го сигнализира изборот.

## **ОДРЖУВАЊЕ**

**Предупредување!** Пред билокаква операција за чистење или одржување, исклучете го аспираторот од електричната мрежа со вадење на струјниот приклучник или со исклучување на домашниот мрежен прекинувач.

### **Чистење**

Аспираторот мора редовно да се чисти (најмалку со истата фреквенција со која се врши одржувањето на филтрите за масти) како од внатрешноста така и од надворешноста. За чистењето користете крпа навлажнета со течни неутрални детергенти.

Да не користите производи кои содржат абразиви. **НЕ КОРИСТЕТЕ АЛКОХОЛ!**

**Предупредување!** Ако не се следат упатствата во однос на чистењето на аспираторот и замената на филтрите ќе доведе до ризик од пожари. Се препорачува до придржување на предложените упатства.

Ние одбиваме билокаква одговорност за евентуални оштетувања на моторот или пожар предизвикан како резултат на неправилно одржување или неследење на наведените упатствата.

## **Филтер за масти**

**За собирање на масните состојки од пареата од готвењето.**

**Металниот филтер за масти** треба да се чисти еднаш месечно со неагресивни детергенти, рачно или во машина за миење на садови на ниски температури и во краток интервал.

Со перењето во машина за миење на садови металниот филтер за масти може да ја изгуби малку бојата но неговите карактеристики за филтрирање воопшто не се менуваат.

За да го извадите филтерот за масти повлечете го забецот за откопчување.

## **Филтер со активен јаглен (Само за Варијанта со филтрирање)**

**За собирање на непријатните мириси од пареата од готвењето.**

Заситувањето на филтерот од јаглен настапува по повеќе или помалку продолжена употреба во зависност од типот на готвење и редовноста на чистењето на филтерот за масти. Во секој случај потребно е да се замени чаурата најмалку на секои 4 месеци.

НЕ може да се пере или обновува.

## **Замена на сијалиците**

ремен со систем за осветлување базиран на технологијата на LED диода.

LED светилките гарантираат оптимално осветлување, имаат околу 10 пати подолг век од традиционалните светилки и овозможуваат заштеда на електрична енергија и до 90%.

За нивната замена обратете се на службата за техничка поддршка.

## NL - VENTILATOR

Instruksjonene i denne håndboken må følges nøye. Produsenten fraskriver seg ethvert ansvar for eventuelle uhell, skader eller brann på apparatet som skyldes at bruksanvisningen i denne håndboken ikke har blitt overholdt. Ventilatoren er ment for avtrekk av røyk og damp fra matlaging og er kun til husholdningsbruk.

Ventilatorhetten kan se annerledes ut enn det som vises på tegningene i denne håndboken. Bruksanvisningen, vedlikehold og installasjon forblir allikevel de samme.

- ! Det er viktig å oppbevare denne håndboken for å kunne konsultere den i ethvert øyeblikk. Ved salg, overdragelse eller flytting av produktet, må man forsikre seg om at den følger med.
- ! Les bruksanvisningen nøye: den inneholder viktige informasjonen om installasjon, bruk og sikkerhet.
- ! Ikke utfør elektriske eller mekaniske endringer på produktet eller på avtrekksrørene.
- ! Før man fortsetter med installasjon av apparatet, skal man undersøke at ingen komponenter er skadet. Hvis det skulle være skade på komponentene, skal man ta kontakt med forhandleren og ikke fortsette med installasjonen.

**MERK:** De delene som er merket med symbolet "(\*)" er ekstrautstyr som kun leveres med noen modeller, eller er deler som ikke leveres, men må anskaffes separat.



### ADVARSEL

**Merk!** Ikke koble apparatet til strømmettet før installasjonen er helt fullført.

Før rengjøring eller vedlikehold av apparatet må ventilatoren kobles fra strømmettet ved å trekke ut støpselet eller skru ut sikringen i husets sikringskapp.

Ved alle installasjonsprosedyrer og alt vedlikehold av ventilatoren må man bruke arbeidshansker

Ventilatoren er ikke egnet til å brukes av barn eller personer med nedsatte fysiske, mentale eller sensoriske funksjoner, eller med manglende erfaring og kjennskap, med mindre disse ikke blir overvåket eller gitt instruksjoner om bruk av apparatet av en person som står ansvarlig for deres sikkerhet.

Barn må overvåkes for å kontrollere at de ikke leker med apparatet. Ventilatoren må aldri brukes uten at gitteret er korrekt montert!

Ventilatoren må ALDRI brukes som anleggsflate, med mindre det er uttrykkelig angitt.

Rommet må være godt ventilert når ventilatoren brukes samtidig med andre apparater som bruker gassforbrenning eller andre brennstoffer.

Luften som suges opp må ikke føres ut i en avtrekkskanal for røyk som produseres av apparater som bruker gassforbrenning eller andre brennstoffer.

Det er strengt forbudt å lage mat på åpen ild under ventilatorhetten.

Bruk av åpen ild skader filterene og kan fremkalle brann, derfor må det absolutt unngås. Steking må foregå under kontroll for å unngå at den overopphetede oljen tar fyr.

De berørbare delene kan bli meget varme når de brukes sammen med kokeapparater.


Når det gjelder de tekniske sikkerhetsforanstaltningene som må anvendes for røykutløp, må man forholde seg strengt til gjeldende lokale regelverk. Ventilatoren må rengjøres ofte både innvendig og utvendig (MINST EN GANG I MÅNEDEN; uansett må man følge instruksjonene som er uttrykkelig angitt i vedlikeholdsanvisningene i denne håndboken).

Hvis man ikke overholder normene for rengjøring av ventilatoren og utskiftning og rengjøring av filterene, vil dette medføre risiko for brann.

Ventilatoren må alltid ha korrekt monterte lypærer, både under bruk og i stand by, for å unngå risikoen for elektrisk støt. Produsenten fraskriver seg ethvert ansvar for eventuelle uhell, skader eller brann på apparatet som skyldes at bruksanvisningen i denne håndboken ikke har blitt overholdt.

Dette apparatet er merket i konformitet med EU-direktivet 2002/96/EC, Waste Electrical and Electronic Equipment (WEEE). Ved å forsikre seg om at dette produktet kasseres forskriftsmessig, bidrar brukeren med å forebygge mulige negative miljø- og helsekonsekvenser.



Symbolet  på produktet eller på papirer som følger med viser at dette produktet ikke må behandles som vanlig husholdningsavfall, men må leveres til et egnet gjenvinningscenter for elektrisk og elektronisk avfall. Produktet må kasseres i

henhold til lokale normer for kassering av avfall. For videre informasjon om behandling, gjenvinning og resirkulering av dette produktet kan du kontakte egnet lokalt kontor, renovasjonskontoret for husholdningsavfall eller butikken hvor du kjøpte produktet.

Apparatet er utformet, testet og produsert i henhold til:

- Sikkerhet: EN/IEC 60335-1; EN/IEC 60335-2-31, EN/IEC 62233.
- Kapasitet: EN/IEC 61591; ISO 5167-1; ISO 5167-3; ISO 5168; EN/IEC 60704-1; EN/IEC 60704-2-13; ISO 3741; EN 50564; IEC 62301.
- Elektromagnetisk kompatibilitet (EMC): EN 55014-1; CISPR 14-1; EN 55014-2; CISPR 14-2; EN/IEC 61000-3-2; EN/IEC 61000-3-3.

Forslag til riktig bruk for å redusere miljøpåvirkning: Skru På ventilatorhetten på minimum hastighet når du starter matlagingen og lå den holdes i gang i noen minutter etter at matlagingen er ferdig. Øk hastigheten kun ved store mengder røyk og damp og bruk boost-hastighet(er) kun i ekstreme situasjoner. Skift ut kullfilter når det er nødvendig for å opprettholde optimal effektivitet for odorreduksjon. Rengjør fettfilter når det er nødvendig for å opprettholde optimal effektivitet for fettfilter. Bruk maksimum diameter på kanalsystemet som er angitt i denne bruksanvisningen for å optimalisere effektivitet og minimere støy.

**ADVARSEL!** Manglende installering av skruer og festeordninger i samsvar med disse instruksjonene kan medføre elektrisk fare.

## BRUKSMÅTE

Ventilatorhetten er laget for å brukes med direkte avtrekk der avtrekksluften føres ut i friluft, eller med resirkulering av avtrekksluften.



### Direkte avtrekk

Dampene føres ut i friluft gjennom et avløpsrør som er festet til koblingsflensen. Diameteren i avløpsrøret må tilsvare diameteren på tilslutningsringen. Bemerkt! Avløpsrøret er ikke medlevert, men må kjøpes separat.

På den vannrette delen skal røret ha en lett inklinasjon oppover (cirka 10°), slik at det lettere kan føre ut luften. Hvis ventilatoren er utstyrt med kullfilter, må disse fjernes.

Koble ventilatoren til rør og avtrekksåpning i veggen med en diameter tilsvarende luftuttaket (koblingsflensen).

Bruk av rør og avtrekksåpning på veggen med en mindre diameter, vil medføre en minskning i avtrekksytelsene og en drastisk økning av støyen.

Ethvert ansvar gjeldende dette fraskrives derfor.

- ! Bruk et så kort rør som mulig.
- ! Bruk et rør med færrest mulig vinkler (vinkelen må aldri være skarpere enn 90°).
- ! Unngå drastiske endringer i rørets tverrsnitt.
- ! Bruk et rør som er så glatt som mulig på innsiden.
- ! Rørmaterialet må være godkjent etter gjeldende normer.



### Resirkulering av luften

Luften som suges opp blir rensed, og fett og lukter fjernes før den føres tilbake i rommet. Hvis man vil bruke ventilatoren i denne versjonen, er det nødvendig å installere et ekstra filtersystem basert på aktivt kull.

## INSTALLASJON

Minimumsavstanden mellom koketoppen og undersiden av kjøkkenventilatoren må ikke være på mindre enn 50cm når det gjelder elektriske kokeplater og 65cm når det gjelder gassbluss og kombinerte koketopper.

Dersom bruksanvisningen for et gasskokeapparat opererer med en større avstand, må denne overholdes.



## Elektrisk tilslutning

Nettspenningen må være i samsvar med den elektriske spenningen som angis på typeskiltet inne i ventilatoren. Hvis det følger med støpsel, kobles ventilatoren til en lett tilgjengelig stikkontakt som er godkjent i henhold til gjeldende normer. Stikkontakten må være lett tilgjengelig også etter installasjonen. Hvis det ikke følger med støpsel (direkte kobling til strømmettet), eller stikkontakten selv etter installasjonen ikke er lett tilgjengelig, må man sette på en godkjent topolet bryter som garanterer fullstendig frakobling fra strømmettet i situasjonene som oppstår i kategorien overspenning III, i henhold til installasjonsreglene.

**Merk!** Før man kobler ventilatorens strømkrets til strømmettet og fastslår at alt fungerer korrekt, må man alltid kontrollere at strømledningen er korrekt montert.

Ventilatoren har en spesiell strømledning; dersom denne skades, skal man henvende seg til kundeassistenten for kjøp av en ny.

## Montering

Dette produktet er svært tungt. Flytting og installasjon av kjøkkenventilatoren må derfor utføres av to eller flere personer.

### Før installasjonen:

- Kontroller at produktet har passe størrelse i forhold til plassen du har valgt å installere det på.
- Ta vekk det aktive kullfilteret/de aktive kullfiltrene dersom ventilatoren er utstyrt med dette/disse. (se også tilhørende paragraf). Dette/disse gjenmonteres bare om man vil bruke ventilatoren med resirkulering av luften.
- Kontroller at det ikke ligger igjen tilbehørsutstyr (f.eks. poser med skruer, garantipapir, o.s.v.) inne i ventilatorhetten etter transporten. Ta det i så fall ut og ta vare på det.
- Dersom det er mulig, er det best å demontere og ta vekk møblene under og rundt ventilatorhettens installasjonsområde for å ha bedre tilgjengelighet til taket/veggen hvor ventilatorhetten skal installeres. Ellers må man så langt det er mulig beskytte møblene rundt og alle delene som berøres av installasjonen. Velg en flat overflate og dekk den med en beskyttelse som du kan sette ventilatorhetten og tilbehørsutstyret på.
- Kontroller dessuten at det er en tilgjengelig stikkontakt i nærheten av ventilatorhettens installasjonsområde (tilgjengelig også etter at ventilatorhetten er montert) og at det er mulig å koble seg til en innretning for røykavtrekk som går ut i friluft (kun for Sugefunksjon).
- Gjør alle nødvendige murarbeider (f.eks.: installasjon av en stikkontakt og/eller boring av hull for avtrekksrør).

Ventilatorhetten er utstyrt med festeplugger som passer til de fleste vegger/tak. Allikevel er det nødvendig å la en kvalifisert tekniker kontrollere for å forsikre deg om at disse materialene egner seg til din vegg/ditt tak. Veggens/taket må være sterkt nok til å tåle ventilatorhettens vekt.

## FUNKSJON

Bruk største hastighet ved høy dampkonsentrasjon på kjøkkenet. Vi anbefaler å slå på viften 5 minutter før du begynner å lage mat, og la den fortsette å virke i enda cirka 15 minutter etter du er ferdig med matlagingen.

### WHI661STX, WHI641ST, WHI961STX, WHI961ST, WHT961STX, WHT941ST

T1	T2	T3	T4	T5	T6*	T7	T8	T8

Det er tilstrekkelig å streife betjeningsknappene for å velge kjøkkenhettens funksjoner.

**T1. Standby** (kontrollpanelet er avslått – alle funksjonene er deaktivert) / **ON** (kontrollpanelet er påslått) Merk: Etter cirka ett minutt inaktivitet (vifte og lys), går hetten automatisk tilbake til standby.

**T2. Lys ON/OFF**

Kun på noen modeller (**se tegning øverst**):

trykk flere ganger for å velge ønsket lysstyrke:

**L1:** svak lysstyrke



**L2:** middels lysstyrke

**L3:** høy lysstyrke

Trykk enda en gang for å slå av lysene.

### **T3. Automatisk funksjon ON/OFF**

Kjøkkenheten stiller seg automatisk i viftehastighet (-styrke) 1, og vil øke hastigheten dersom hettens sensor registrerer at det er nødvendig ut fra romluften.

Hvis det ikke er noen endringer i romluften, vil hetten slå seg av etter 10 minutter (hvis viften står i viftehastighet (-styrke) 1).

**Merk:** for riktig bruk av denne funksjonen skal man først utføre "Justering av parametrene for automatisk funksjon " (se tilsvarende avsnitt).

**Merk:** Funksjonen automatisk ventilasjon vil deaktiveres hvis brukeren betjener de andre funksjonene som regulerer hastigheten mens hetten står på automatisk funksjon.

### **T4. Manuelt valg av viftehastigheten (-styrken):**

**L4:** viftehastighet (-styrke) 1

**L5:** viftehastighet (-styrke) 2

**L6:** viftehastighet (-styrke) 3

Trykk enda en gang for å slå av viften (OFF).

**Merk:** manuelt valg utelukker enhver annen viftefunksjon man eventuelt har innstilt.

### **T6\*. (Kun på noen modeller) ON/OFF intensiv viftehastighet (-styrke) "POWER BOOST x 2" (tidsinnstilt)**

**Merk:** Etter å ha stått på i 5 minutter, vil viften gå tilbake til forrige innstilte hastighet.

### **T7. "Luftskifte" ON/OFF**

Etter hvert 50. minutt med inaktivitet slår kjøkkenheten seg på i viftehastighet 1 i 10 minutter.

### **T8. Forsinket avslåing av viftehastigheten (-styrken) ON/OFF (cirka 30 minutter)**

**Merk:** denne funksjonen er tilgjengelig for hastighetene som kan velges med knappen T4.

### **T9. Varsel for skitne filtre og nullstilling av disse**

Knappen lyser automatisk fast når det er nødvendig å utføre vedlikehold av fettfilteret. Knappen blinker automatisk når det er nødvendig å utføre vedlikehold av kullfilteret.

Etter vedlikeholdet skal man med avslått kjøkkenhette og aktivert knapp holde knappen inntrykt i mer enn 3 sekunder for å nullstille varselet for skitne filtre. Gjenta operasjonen om nødvendig (f.eks. hvis begge filterne skulle være skitne).

#### **Aktivering av varselet for skittent kullfilter**

Varselet for skittent kullfilter er vanligvis deaktivert. Gå frem på følgende måte for å aktivere det:

Med påslått skjerm (ON) og avslått vifte (OFF), skal man holde knappene **T8** og **T9** inntrykt samtidig i mer enn 3 sekunder.

Knappen **T9** vil lyse fast i cirka 5 sekunder for å angi at varselet er aktivert.

Gjenta operasjonen for å deaktivere varselet. Knappen **T9** vil blinke i cirka 5 sekunder for å angi at varselet er deaktivert.

### **Justering av parametrene for automatisk funksjon**

For å sikre korrekt bruk av den automatiske funksjonen, skal man utføre "Kalibrering av kjøkkenheten" og "Valg av koketopp".

Kalibrering av kjøkkenheten

Med påslått skjerm (ON) og avslått vifte (OFF), skal man holde knappen **T4** inntrykt i 5 sekunder.

Viftehastighet (-styrke) 2 slår seg på, og knappen T4 blinker for å angi at kalibreringen av kjøkkenheten har begynt. Denne varer i cirka 15 minutter.

**Merk:** for å avbryte kalibreringen skal man holde knappen **T4** inntrykt i 5 sekunder; kalibreringen utføres ikke og må derfor repeteres.

Valg av koketopp

Med påslått skjerm (ON) og avslått vifte (OFF), skal man holde knappen **T3** inntrykt i 5 sekunder.

#### **Modell med 2 nivåer for intensiv hastighet: T5 (POWER BOOST) og T6 (POWER BOOST x 2)**

Knappene **T3**, **T5** og **T6** slår seg på.

Dersom man har gasstopp, skal man trykke på knappen **T5** – knappen blinker for å angi at man har valgt gasstopp.

Dersom man har elektrisk koketopp, skal man trykke på knappen **T6** – knappen blinker for å angi at man har valgt elektrisk koketopp.

## **Modell med ett nivå for intensiv hastighet T5 (POWER BOOST)**

Knappene **T3**, **T5** og **T6** slår seg på.

Dersom man har gasstopp, skal man trykke på knappen **T7** – knappen blinker for å angi at man har valgt gasstopp.

Dersom man har elektrisk koketopp, skal man trykke på knappen **T8** – knappen blinker for å angi at man har valgt elektrisk koketopp.

## **VEDLIKEHOLD**

**Advarsel! Før enhver form for rengjøring eller vedlikehold må ventilatorhetten frakobles strømmettet ved å dra ut ledningen eller slå av husets hovedstrømbryter.**

### **Rengjøring**

Ventilatoren må rengjøres jevnlig, både innvendig og utvendig (minst så ofte som man utfører vedlikehold av fettfiltrene). Til rengjøring benyttes en klut fuktet med et nøytralt rengjøringsmiddel.

Unngå bruk av slipende eller etsende produkter.

**Advarsel:** Hvis ikke reglene for rengjøring og utskifting av filtrene følges, kan det føre til brann. Det er derfor meget viktig å følge denne bruksanvisningen nøye.

Produsenten fraskriver seg ethvert ansvar for eventuelle skader på motoren, brann som skyldes manglende vedlikehold eller andre skader som skyldes at instruksene over ikke er blitt fulgt.

### **Fettfilteret**

#### **Fanger kokefettpartikler.**

Fettfilteret må rengjøres en gang i måneden uten bruk av aggressive rengjøringsmidler, for hånd eller i oppvaskmaskin ved lav temperatur og med kort syklus.

Ved vask i oppvaskmaskin kan fettfilteret i metall miste fargen, men dets filterkarakteristikker endres absolutt ikke. For å demontere fettfilteret må man dra i fjærhåndtaket.

### **Kullfilter (kun med resirkulering av luften)**

#### **Holder tilbake ubehagelige lukter fra matlaging.**

Kullfilteret må skiftes ut hver 4. måned ved middels bruk av ventilatoren, og oftere hvis ventilatoren brukes mye. Det kan IKKE vaskes eller benyttes om igjen.

### **Utskifting av lyspærer**

Ventilatoren er utstyrt med et belysningsystem basert på LED-teknologi.

LED-lysene garanterer optimal belysning, har opptil 10 ganger lengre varighet enn tradisjonelle lyspærer og tillater en strømsparing på 90 %.

Henvend deg til teknisk service når LED-pærene skal skiftes ut.

**Przy przeprowadzaniu instalacji urządzenia należy postępować według wskazówek podanych w niniejszej instrukcji.** Producent uchyła się od wszelkiej odpowiedzialności za uszkodzenia wynikłe na skutek instalacji niezgodnej z informacjami podanymi w niniejszej instrukcji. **Okap służy do zasysania oparów kuchennych i jest przeznaczony wyłącznie do użytku domowego. Okap może różnić się pod względem wyglądu od okapu przedstawionego na rysunkach niniejszej instrukcji, ale zalecenia dotyczące obsługi, konserwacji i montażu pozostają niezmienione.**

- ! Należy zachować instrukcję obsługi aby móc z niej skorzystać w każdej chwili. W przypadku sprzedaży urządzenia lub przewodówki, należy upewnić się, że dołączono do niego instrukcję obsługi.
- ! Uważnie zapoznać się z treścią instrukcji obsługi, która dostarcza dokładne informacje dotyczące instalacji, użytkowania i pielęgnacji urządzenia.
- ! Nie dokonywać zmian elektrycznych czy mechanicznych w urządzeniu lub na przewodach odprowadzających.
- ! Przed przystąpieniem do montażu urządzenia należy sprawdzić czy któraś z jego części składowych nie jest uszkodzona. Jeśli tak, należy skontaktować się ze sprzedawcą i zaprzestać kontynuowania instalacji.

**Uwaga:** Elementy oznaczone symbolem "(\*)" wchodzą wyłącznie w skład wybranych modeli, w pozostałych przypadkach powinny być zakupione osobno.



### OSTRZEŻENIA

**Uwaga!** Nie podłączać urządzenia do sieci elektrycznej przed ukończeniem montażu.

Przed wykonaniem jakiegokolwiek czynności czyszczenia lub konserwacji należy odłączyć okap od zasilania, wyjmując wtyczkę z gniazdka lub wyłączając główny wyłącznik zasilania.

Wszelkie czynności montażowe i konserwacyjne wykonywać w rękawicach ochronnych.

Niniejsze urządzenie nie jest przeznaczone do użytku przez osoby (w tym dzieci) o ograniczonych zdolnościach fizycznych, sensorycznych czy umysłowych, a także nie posiadające wiedzy lub doświadczenia w użytkowaniu tego typu urządzeń, chyba, że będą one nadzorowane lub zostaną poinstruowane na temat korzystania z tego urządzenia przez osobę odpowiedzialną za ich bezpieczeństwo.

Dzieci należy pilnować, aby mieć pewność, że nie bawią się urządzeniem. Nie należy nigdy używać okapu bez prawidłowo zamontowanych filtrów!

Okap nie powinien być NIGDY używany jako płaszczyzna oparcia chyba, że taka możliwość została wyraźnie wskazana. Pomieszczenie, w którym okap jest używany łącznie z innymi urządzeniami spalającymi gaz lub inne paliwo powinno posiadać odpowiednią wentylację.

Zasysane powietrze nie powinno być odprowadzane do kanału wykorzystywanego do odprowadzania spalin wytwarzanych przez urządzenia gazowe lub na inne paliwo.

Surowo zabrania się przygotowywania pod okapem potraw z użyciem otwartego ognia (flambrowanie).

Użycie otwartego ognia jest groźne dla filtrów i stwarza ryzyko pożaru, a zatem nie wolno tego robić pod żadnym pozorem. Podczas smażenia należy zachować ostrożność, aby nie dopuścić do przegrzania oleju, aby nie uległ samozapaleniu. Dostępne części mogą ulec znacznemu nagrzananiu, jeżeli będą używane razem z urządzeniami przeznaczonymi do gotowania.

W zakresie koniecznych do zastosowania środków technicznych i bezpieczeństwa dotyczących odprowadzania spalin należy ściśle przestrzegać przepisów wydanych przez kompetentne władze lokalne.

Okap powinien być często czyszczony zarówno na zewnątrz jak i od wewnątrz (PRZYNAJMNIJ RAZ W MIESIĄCU, z zachowaniem wskazówek dotyczących konserwacji podanych w niniejszej instrukcji).


Nieprzestrzeganie zasad dotyczących czyszczenia okapu oraz wymiany i czyszczenia filtrów powoduje powstanie zagrożenia pożarem.

Celem uniknięcia porażenia prądem nie należy używać lub pozostawiać okapu bez prawidłowo zamontowanych żarówek. Producent nie ponosi żadnej odpowiedzialności za ewentualne szkody lub pożary spowodowane przez urządzenie a wynikające z nieprzestrzegania zaleceń podanych w niniejszej instrukcji.

Niniejsze urządzenie posiada oznaczenia zgodnie z Dyrektywą Unijną 2002/96/EC w sprawie zużytego sprzętu elektrycznego i elektronicznego (WEEE).

Zapewniając prawidłowe złomowanie niniejszego urządzenia, przyczynią się Państwo do ograniczenia ryzyka wystąpienia negatywnego wpływu produktu na środowisko i zdrowie ludzi, które mogłoby zaistnieć w przypadku niewłaściwej utylizacji urządzenia.



Symbol  na urządzeniu lub opakowaniu oznacza, że tego produktu nie można traktować jak innych odpadów komunalnych. Należy oddać go do właściwego punktu zbiórki i recyklingu sprzętów elektrycznych i elektronicznych. Właściwa utylizacja i złomowanie pomaga w eliminacji niekorzystnego wpływu złomowanych urządzeń na środowisko oraz zdrowie. Aby uzyskać szczegółowe dane dotyczące możliwości recyklingu niniejszego urządzenia, należy skontaktować się z lokalnym urzędem miasta, służbami oczyszczania miasta lub sklepem, w którym produkt został zakupiony.

Urządzenie zostało zaprojektowane, przetestowane i wyprodukowane zgodnie z następującymi warunkami:

1. Bezpieczeństwo: EN/IEC 60335-1; EN/IEC 60335-2-31, EN/IEC 62233.
2. Wydajność: EN/IEC 61591; ISO 5167-1; ISO 5167-3; ISO 5168; EN/IEC 60704-1; EN/IEC 60704-2-13; ISO 3741; EN 50564; IEC 62301.
3. EMC: EN 55014-1; CISPR 14-1; EN 55014-2; CISPR 14-2; EN/IEC 61000-3-2; EN/IEC 61000-3-3.

Sugestie dotyczące prawidłowego użytkowania w celu zmniejszenia wpływu na środowisko:

Włączyć okap na minimalne obroty w momencie rozpoczęcia gotowania i zostawić go włączony przez kilka minut po zakończeniu gotowania. Zwiększać obroty jedynie w przypadku dużej ilości dymu i pary oraz używać wysokich obrotów tylko w ekstremalnych sytuacjach. W razie potrzeby wymienić filtr/filtry węglowe, aby utrzymać dobrą skuteczność redukcji zapachów. W razie konieczności wyczyścić filtr/filtry smaru, aby utrzymać dobrą wydajność filtra smaru. Używać maksymalnej średnicy systemu wentylacyjnego wskazanej w niniejszej instrukcji, w celu optymalizacji wydajności i minimalizacji hałasu.

**UWAGA!** Nie dokręcenie śrub oraz urządzeń mocujących zgodnie z niniejszymi instrukcjami może spowodować zagrożenia natury elektrycznej.

## OBSŁUGA

Urządzenie można używać jako wyciąg (odprowadzanie oparów na zewnątrz) bądź jako pochłaniacz (opary są filtrowane i odprowadzane z powrotem do pomieszczenia).



### Okap pracujący jako wyciąg

Opary są usuwane na zewnątrz rurą odprowadzającą zamocowaną do kołnierza łączeniowego. Średnica rury odprowadzającej musi być równa średnicy kołnierza łączeniowego.

Uwaga! Rura odprowadzająca nie jest dostarczona w komplecie z urządzeniem i należy ją zakupić.

W części poziomej, rura musi mieć lekką inklinację do góry (około 10°), tak aby ułatwić przepływ powietrza na zewnątrz. Jeśli okap jest zaopatrzony w filtry węglowe, to muszą one zostać zdjęte.

Podłączyć okap do przewodu wentylacyjnego rurą odprowadzającą o średnicy odpowiadającej rozmiarowi wylotu z okapu (kołnierz łączeniowy).

Użycie przewodów o mniejszym przekroju powoduje zmniejszenie zdolności zasysania oraz drastyczne zwiększenie hałaśliwości okapu.

Producent, zatem, nie ponosi żadnej odpowiedzialności za ten stan.

- ! Używać jak najkrótszego przewodu.
- ! Używać przewodu o jak najmniejszej liczbie zagięć (maksymalny kąt zagięcia: 90°).
- ! Unikać radykalnych zmian przekroju przewodu.
- ! Używać przewodu o jak najgładszej powierzchni wewnętrznej.
- ! Materiał przewodu musi być zgodny z obowiązującymi normami.



## Okap pracujący jako pochłaniacz

Aby używać okapu w tej wersji należy zainstalować filtr węglowy.

Można go kupić u sprzedawcy.

Zasysane powietrze jest oczyszczane z tłuszczu i zapachów zanim zostanie zwrócone do pomieszczenia przez kratki w górnej osłonie komina.

## Instalacja okapu

Minimalna odległość między powierzchnią, na której znajdują się naczynia na urządzeniu grzejnym a najniższą częścią okapu kuchennego powinna wynosić nie mniej niż 50 cm w przypadku kuchenek elektrycznych i nie mniej niż 65 cm w przypadku kuchenek gazowych lub typu mieszanego.

Jeżeli w instrukcji zainstalowania kuchni gazowej podana jest większa odległość, należy dostosować się do takich wskazań.



## Połączenie elektryczne

Napięcie sieciowe musi odpowiadać napięciu wskazanemu na tabliczce umieszczonej w wewnętrznej części okapu. Jeśli okap jest wyposażony we wtyczkę, należy ją podłączyć do gniazdka zgodnego z obowiązującymi normami i umieszczonego w łatwo dostępnym miejscu, również po zakończonej instalacji.

Jeśli okap nie jest wyposażony we wtyczkę (bezpośrednie podłączenie do sieci) lub wtyczka nie znajduje się w łatwo dostępnym miejscu, również po zakończonej instalacji, należy zastosować znormalizowany wyłącznik dwubiegunowy, który umożliwi całkowite odcięcie od sieci elektrycznej w warunkach nad prądowych kategorii III, zgodnie z zasadami instalacji.

Uwaga! Przed ponownym podłączeniem obwodu okapu do zasilania i sprawdzeniem poprawności jego działania należy się zawsze upewnić, czy przewód zasilający jest prawidłowo zamontowany.

Okap jest wyposażony w specjalny przewód zasilający.

W razie uszkodzenia tego przewodu, należy go zamówić w biurze obsługi serwisowej.

## Instalacja okapu

Urządzenie jest ciężkie. Przenoszenie i instalacja okapu powinny być wykonywane przez co najmniej dwie osoby. Przed przystąpieniem do instalacji:

- Sprawdzić, czy wymiary zakupionego produktu są stosowne do wybranego miejsca montażu.
- Zdemontować filtr węglowy (\*), jeżeli znajduje się na wyposażeniu (patrz odpowiedni rozdział). Filtr należy ponownie zamontować tylko wtedy, gdy okap będzie używany w wersji filtrującej.
- Sprawdzić, czy wewnątrz okapu nie pozostawiono (z powodów związanych z transportem) dodatkowego materiału dostarczanego wraz z urządzeniem (na przykład woreczków z wkrętami (\*), karty gwarancyjnej (\*) itp), ewentualnie wyjąć je i zachować.
- Jeżeli to możliwe, należy odłączyć i usunąć meble, znajdujące się w obszarze instalacji okapu, po to aby uzyskać łatwy dostęp do sufitu/ściany, na której ma być zamontowany okap. W przeciwnym wypadku należy jak najlepiej zabezpieczyć meble oraz wszystkie części przed przypadkowym uszkodzeniem. Wybrać płaską powierzchnię, na której będzie oparty okap i elementy wyposażenia i przykryć ją folią ochronną.
- Ponadto należy sprawdzić, czy w pobliżu strefy montażu okapu (w miejscu dostępnym również po zamontowaniu okapu) jest dostępne gniazdko wtykowe i czy można podłączyć okap do urządzenia odprowadzającego na zewnątrz opary (tylko w wersji filtrującej).
- Wykonać wszystkie niezbędne prace murarskie (np.: montaż gniazdka wtykowego i/lub otwór do przejścia przewodu odprowadzającego opary).

Okap jest zaopatrzone w kołki mocujące odpowiednie do większości ścian i sufitów. Konieczne jest jednak zasięgnięcie porady wykwalifikowanego technika, aby upewnić się co do odpowiedniości materiałów w zależności od typu ściany lub sufitu. Ściana lub sufit muszą być odpowiednio mocne, aby utrzymać ciężar okapu.

## Działanie okapu

W przypadku, gdy powietrze w pomieszczeniu kuchennym jest szczególnie zanieczyszczone, należy używać okapu ustawionego na najwyższą prędkość. Zaleca się uruchomienie okapu 5 minut przed przystąpieniem do gotowania jakichkolwiek potraw i pozostawienie go włączonym jeszcze przez ok. 15 minut po zakończeniu gotowania.

### WHI661STX, WHI641ST, WHI961STX, WHI961ST, WHT961STX, WHT941ST



Aby wybrać funkcje okapu wystarczy lekko dotknąć przycisków.

#### T1. **Stand by** (panel kontrolny wyłączony – wszystkie funkcje rozłączone) / **ON** (panel kontrolny włączony)

**Uwaga:** Po około minucie nie używania okapu (zasysanie i oświetlenie) wraca on automatycznie do pozycji stand/by.

#### T2. **ON/OFF** oświetlenia.

Tylko na niektórych modelach (patrz rysunek powyżej): wciskać kilkakrotnie aż do wybrania pożądanego natężenia oświetlenia:

**L1:** światło słabe

**L2:** światło średnie

**L3:** światło mocne

Wcisnąć ponownie, aby wyłączyć oświetlenie.

#### T3. **ON/OFF Działanie automatyczne**

Okap ustawia automatycznie prędkość (moc) zasysania, 1 aby zwiększyć, jeśli warunki środowiskowe wykryte przez czujnik okapu tego wymagają.

W przypadku braku zmian w warunkach środowiskowych, po 10 minutach (jeśli okap uzyskał już prędkość (moc) zasysania 1), okap wyłącza się.

**Uwaga:** aby zagwarantować właściwe działanie tej funkcji, należy najpierw wykonać "Regulację parametrów do Działania automatycznego" (patrz odnośny paragraf).

**Uwaga:** W trakcie działania automatycznego jeśli użytkownik dotknie inne funkcje, które regulują prędkość, funkcja auto wentylacji dezaktywuje się.

#### T4. **Ręczny wybór prędkości (mocy) zasysania:**

**L4:** prędkość (moc) zasysania 1

**L5:** prędkość (moc) zasysania 2

**L6:** prędkość (moc) zasysania 3

Przycisnąć ponownie aby wyłączyć okap (OFF).

**Uwaga:** Wybór ręczny wyklucza jakiegokolwiek inne ustawione działanie związane z zasysaniem.

#### T5. **ON/OFF** prędkości (mocy) zasysania intensywnego "POWER BOOST" (ustawienie czasowe)

**Uwaga:** Po 5 minutach działania okap powraca do wcześniejszego ustawienia.

#### T6\*. (Tylko w niektórych modelach) **ON/OFF** prędkości (mocy) zasysania intensywnego "POWER BOOST x2" (ustawienie czasowe).

**Uwaga:** Po 5 minutach działania okap powraca do wcześniejszego ustawienia.

#### T7. **ON/OFF** sposób działania "Wymiana powietrza"

Co 50 minut nieaktywności włącza się prędkość (moc) zasysania 1 na czas 10 minut.

#### T8. **ON/OFF Opóźnionego wyłączenia** prędkości (mocy) zasysania (około 30 minut).

**Uwaga:** ta funkcja jest dostępna dla prędkości wybieralnych przyciskiem T4.

#### T9. **Wskaźnik i reset nasycenia filtrów.**

Przycisk włącza się automatycznie przy stałym świetle kiedy należy dokonać konserwacji filtra przeciw tłuszczowego.

Przycisk włącza się automatycznie przy świetle migoczącym kiedy należy dokonać konserwacji filtra węglowego.

Po wykonaniu konserwacji, przy wyłączonym okapie i aktywnym przycisku, nacisnąć przycisk przez dłużej niż 3 sekundy aby zresetować wskaźnik nasycenia filtrów, powtórzyć czynność jeśli to konieczne (np. jeśli są nasycone obydwa filtry).

Aktywacja wskaźnika nasycenia filtra węglowego

Wskaźnik nasycenia filtra węglowego zwyczajowo jest wyłączony. Aby go aktywować, należy postępować w następujący sposób:

Przy włączonym wyświetlaczu (ON) i wyłączonym zasysaniu (OFF) wcisnąć jednocześnie przyciski **T8** i **T9** przez dłużej niż 3 sekundy, przycisk **T9** włącza się przy stałym świetle przez około 5 sekund aby wskazać dokonanie włączenia. Aby go wyłączyć, należy powtórzyć operację, przycisk **T9** będzie migotał przez około 5 sekund aby wskazać wykonanie wyłączenia.

Regulacja parametrów do Działania automatycznego

Aby zapewnić prawidłowe działanie automatyczne należy wykonać "Kalibrację okapu" i "Wybór płyty do gotowania".

### **Kalibracja okapu**

Przy włączonym wyświetlaczu (ON) i wyłączonym zasysaniu (OFF), wcisnąć przycisk **T4** przez 5 sekund.

Prędkość (moc) zasysania 2 zaczyna działać i przycisk **T4** migocze aby wskazać, że rozpoczęła się kalibracja okapu, która będzie trwała przez około 15 minut.

**Uwaga:** aby przerwać kalibrację wcisnąć **T4** przez 5 sekund; kalibracja zostanie unieważniona i będzie musiała być powtórzona.

### **Wybór programu do gotowania**

Przy włączonym wyświetlaczu (ON) i wyłączonym zasysaniu (OFF), wcisnąć przycisk **T3** przez 5 sekund.

**Model z 2 poziomami mocy intensywnej T5 (POWER BOOST) oraz T6 (POWER BOOST x 2)**

Przyciski **T3**, **T5** i **T6** zaświecają się.

Wcisnąć przycisk **T5** w przypadku gazowej płyty do gotowania – przycisk migocze aby potwierdzić dokonany wybór. Wcisnąć przycisk **T6** w przypadku elektrycznej płyty do gotowania – przycisk migocze aby potwierdzić dokonany wybór

**Model z 1 poziomem mocy intensywnej T5 (POWER BOOST)**

Przyciski **T3**, **T7** i **T8** zaświecają się.

Wcisnąć przycisk **T7** w przypadku gazowej płyty do gotowania – przycisk migocze aby potwierdzić dokonany wybór. Wcisnąć przycisk **T8** w przypadku elektrycznej płyty do gotowania – przycisk migocze aby potwierdzić dokonany wybór.

### **Konserwacja**

**Uwaga!** Przed wykonaniem jakiegokolwiek czynności czyszczenia lub konserwacji należy odłączyć okap od zasilania wyjmując wtyczkę z gniazdka lub wyłączając główny wyłącznik zasilania.

### **Czyszczenie okapu**

Okap należy często czyścić, tak wewnątrz jak i na zewnątrz (przynajmniej z tą samą częstotliwością, z którą wykonuje się czyszczenie filtrów tłuszczowych) przy użyciu szmatki nawilżonej łagodnymi środkami. Nie należy używać środków ściernych.

### **NIE STOSOWAĆ ALKOHOLU!**

**Uwaga:** Nieprzestrzeganie przepisów dotyczących czyszczenia urządzenia i wymiany filtrów powoduje powstanie zagrożenia pożarem. Zaleca się zatem przestrzeganie podanych wskazówek.

Producent nie ponosi żadnej odpowiedzialności za ewentualne uszkodzenia silnika lub pożary wynikające z nieprzestrzegania zasad konserwacji oraz wzmiankowanych wyżej instrukcji.

### **Filtr przeciwtłuszczowy**

Zatrzymuje cząstki tłuszczu pochodzące z gotowania.

Musi być czyszczony co najmniej raz w miesiącu, za pomocą środka czyszczącego nie żrącego, ręcznie lub w zmywarce w niskiej temperaturze i krótkim cyklu mycia.

Mycie w zmywarce metalowego filtra tłuszczowego może spowodować jego nieznaczne odbarwienie, to jednak nie pogarsza parametrów jego pracy.

Aby wyjąć filtr tłuszczowy należy pociągnąć za klamkę sprężynową.

### **Filtr na węgiel (tylko dla wersji filtrującej)**

Zatrzymuje przykre zapachy pochodzące z gotowania.

Nasycenie filtra następuje po krótszym lub dłuższym okresie użytkowania w zależności od rodzaju kuchni i od regularności z jaką jest wykonywane czyszczenie filtra tłuszczowego. Wkład filtra powinien być w każdym razie wymieniony po upływie nie więcej niż czterech miesięcy. **NIE wolno myć lub regenerować filtra.**

### **Wymiana oświetlenia**

Okap zaopatrzony jest w system oświetlenia, który bazuje się na technologii LED.

LED gwarantują optymalne oświetlenie, trwałość 10 razy większą od lamp tradycyjnych i pozwalają zaoszczędzić 90 % energii elektrycznej.

W celu wymiany należy zwrócić się do serwisu obsługi technicznej.



Siga especificamente as instruções indicadas neste manual. Declina -se qualquer responsabilidade por eventuais inconvenientes, danos ou incêndios provocados ao aparelho, derivantes da inobservância das instruções indicadas neste manual. A coifa foi concebida para a aspiração de fumos e vapores de cozimento e se destina exclusivamente para uso doméstico.

A coifa pode ter estéticas diferentes a quanto ilustrado neste livrete, todavia as instruções de uso, manutenção e instalação permanecem as mesmas.

! É importante conservar este manual para eventuais consultas futuras. Em caso de venda ou mudança, certificar-se que o manual acompanhe o produto.

! Ler cuidadosamente as instruções: elas apresentam importantes informações sobre a instalação, uso e segurança.

! Não efetuar variações elétricas ou mecânicas no produto ou nos tubos de fuga.

! Antes de prosseguir com a instalação do dispositivo, verificar todos os componentes que não sejam danificados. Caso contrário, contatar o seu fornecedor e não prosseguir com a instalação.

**Nota:** As peças que apresentam o símbolo "(\*)" são acessórios opcionais fornecidos somente em alguns modelos ou são peças que não acompanham o produto, mas que precisam ser adquiridas.



### ADVERTÊNCIAS

**Atenção!** Não conectar o aparelho à rede elétrica enquanto a instalação não tiver sido totalmente completada.

Antes de qualquer limpeza ou manutenção, desligar a coifa da rede elétrica tirando o plugue da tomada ou desligando o interruptor geral da alimentação elétrica.

Para todas as operações de instalação e manutenção, utilize luvas adequadas para este tipo de atividade.

O aparelho não é destinado para uso de crianças ou pessoas com alguma incapacidade física, motoras, ou mentais reduzidas, e também à às pessoas sem experiência ou sem conhecimentos suficientes. Devem ser de ser auxiliadas por alguém que tenha com conhecimento e capacidade competência para utilizar o aparelho.

As crianças devem ser controladas de maneira que não brinquem com o aparelho. Nunca utilizar a coifa sem a grelha esteja corretamente montada!

A coifa NUNCA deve ser utilizada como plano de apoio.

Quando a coifa é utilizada ao mesmo tempo com outros aparelhos a combustão de gás ou outros combustíveis o local deve dispor de suficiente ventilação.

O ar aspirado não deve ser transportado por meio de ductos usados para a descarga dos fumos produzidos por aparelhos a combustão de gás ou de outros combustíveis.

É severamente proibido cozinhar alimentos diretamente na chama sob a coifa.

O emprego de chama livre é danoso para os filtros e pode dar lugar a incêndios, portanto, deve ser absolutamente evitado. A fritura deve ser feita sob controle de modo a evitar que o óleo superaquecido se incendeie.

As partes externas podem aquecer-se notavelmente quando forem usadas com os aparelhos de cocção.

No que diz respeito às medidas técnicas e de segurança a serem adoptadas para a descarga dos fumos, ater-se estritamente a quanto previsto pelos regulamentos das autoridades competentes locais.

A coifa deve ser limpa frequentemente tanto interna quanto externamente (AO MENOS UMA VEZ POR MÊS, respeitando as instruções de manutenção indicadas neste manual).


O não atendimento às normas de limpeza da coifa e de substituição e limpeza dos filtros pode provocar riscos de incêndio. A coifa não de ser utilizada sem lâmpadas ou com sua montagem incorreta, pois isto pode provocar risco de choque elétrico.

Não nos responsabilizamos por eventuais inconvenientes, danos ou incêndios provocados ao aparelho, caso as instruções indicadas neste manual não sejam seguidas corretamente.

Este aparelho está classificado de acordo com a Diretiva Europeia 2002/96/EC sobre Resíduos de equipamento elétrico e eletrônico (REEE).

Ao garantir a eliminação adequada deste produto, estará a ajudar a evitar potenciais consequências negativas para o ambiente e para a saúde pública, que poderiam derivar de um manuseamento de desperdícios inadequado deste produto.



O símbolo  no produto, ou nos documentos que acompanham o produto, indica que este aparelho não pode receber um tratamento semelhante ao de um desperdício doméstico.

Pelo contrário, deverá ser depositado no respectivo centro de recolha para a reciclagem de equipamento eléctrico e electrónico. A eliminação deverá ser efectuada em conformidade com as normas ambientais locais para a eliminação de desperdícios. Para obter informações mais detalhadas sobre o tratamento, a recuperação e a reciclagem deste produto, contate o Departamento na sua localidade, o seu serviço de eliminação de desperdícios domésticos ou a loja onde adquiriu o produto.

Aparelho projetado, testado e fabricado de acordo com:

- Segurança: EN/IEC 60335-1; EN/IEC 60335-2-31, EN/IEC 62233.
- Desempenho: EN/IEC 61591; ISO 5167-1; ISO 5167-3; ISO 5168; EN/IEC 60704-1; EN/IEC 60704-2-13; ISO 3741; EN 50564; IEC 62301.
- EMC: EN 55014-1; CISPR 14-1; EN 55014-2; CISPR 14-2; EN/IEC 61000-3-2; EN/IEC 61000-3-3.

Sugestões para uma utilização correta, de modo a reduzir o impacto ambiental: LIGUE a coifa na velocidade mínima quando começar a cozinhar e mantenha-a em função por mais alguns minutos após ter terminado. Aumente a velocidade somente em caso de muita fumaça ou vapor e use as velocidades altas somente em situações extremas. Substitua o(s) filtro(s) a carvão quando necessário, para manter uma boa eficiência na redução dos odores. Limpe o(s) filtro(s) para gordura quando necessário para manter uma boa eficiência do filtro para gordura. Use o diâmetro máximo do sistema de condutas indicado neste manual para otimizar a eficiência e minimizar o ruído.

**ATENÇÃO!** A não instalação dos parafusos e elementos de fixação, conforme estas instruções, pode resultar em riscos eléctricos.

## USO

A coifa é fabricada para ser utilizada na versão aspirante, com exaustão externa do ar, ou filtrante, com recirculação interna.



### Versão aspirante

Os vapores são evacuados para o exterior por meio de um tubo de descarga fixado á flange de conexão que se encontra sobre o exaustor.

O diâmetro do tubo de descarga deve ser equivalente ao diâmetro do anel de conexão.

Na parte horizontal o tubo deve ter uma leve inclinação para cima (cerca de 10°) de modo a poder transportar o ar para fora mais facilmente.

Se o exaustor for dotada de filtros de carvão ativo, estes deverão ser tirados.

Conectar a coifa ao tubos e orifícios de descarga de parede com diâmetro equivalente à saída de ar (flange de união).

O uso de tubos ou orifícios de descarga de parede com diâmetro inferior pode provocar a diminuição da performance de aspiração e um drástico aumento do ruído.

Não nos responsabilizamos a este respeito.

- ! Utilizar um tubo condutor com o comprimento não inferior ao indicado.
- ! Utilizar um tubo condutor com o menor número possível de curvas (ângulo máximo da curva: 90°C 90°).
- ! Evitar alterações drásticas da seção do tubo (diâmetro).
- ! Usar um tubo condutor com o interior mais liso possível.
- ! O material do tubo condutor deve ser aprovado e estar em conformidade com a lei.



### Versão filtrante

Deve ser utilizado um filtro de carvão ativo, disponível junto ao seu revendedor. O ar aspirado será desengordurado e desodorizado antes de ser reintroduzido no ambiente através da grelha superior.

## INSTALAÇÃO

A distância mínima entre a superfície de suporte dos recipientes sobre o fogão e a parte mais baixa da coifa não deve ser inferior a 50cm no caso de fogões elétricos e 65cm no caso de fogões a gás ou combinados.

Se as instruções de instalação do fogão a gás especificarem uma distância maior, deve-se levar em conta esta indicação.



### Conexão elétrica

A voltagem da rede elétrica deve corresponder à voltagem indicada na etiqueta das características situada no interior da coifa. Se dotada de ficha, conectar a coifa a uma tomada em conformidade com as normas vigentes posta em zona acessível, mesmo depois da instalação. Se não dotada de ficha (conexão direta à rede) ou a tomada não se encontra em zona acessível, mesmo depois da instalação, aplicar um interruptor bipolar em conformidade com a norma que assegure a desconexão completa da rede nas condições da categoria de sobretensão III, conformemente às regras de instalação.

Atenção! Antes de conectar novamente o circuito da coifa com a alimentação elétrica, verificar seu funcionamento, atentar sempre para que o cabo de rede esteja montado corretamente.

O exaustor está equipado com um cabo de alimentação especial; no caso do cabo ficar danificado, efectuar um pedido ao serviço de assistência técnica.

## Montagem

Produto com peso excessivo. A movimentação e a instalação do exaustor devem ser feitas por pelo menos duas ou mais pessoas.

Antes de iniciar a instalação:

- Verificar que o produto adquirido tenha dimensões adequadas para a área escolhida de instalação.
- Tirar o/s filtro/s de carvão ativado (\*) se fornecidos (ver também o parágrafo relativo). Este/s deve/m ser remontado/s somente caso se deseje utilizar a coifa na versão filtrante.
- Verificar que dentro da coifa não haja (por motivos de transporte) materiais extras (por exemplo envelopes com parafusos (\*), garantias (\*) etc.), eventualmente tirar e conservar.
- Se possível desconectar e deslocar a instalação solta ou fazer correr o vidro abrindo-o de modo a acessar mais facilmente a parede na parte traseira. Caso contrário, colocar uma cobertura espessa e protetiva sobre a bancada e o plano de cozimento para protegê-los contra danos ou entulho. Selecionar uma superfície plana para montar a unidade. Cobrir tal superfície com uma cobertura de proteção e colocar em seu interior todas as partes da coifa e as ferramentas.
- Além disso, verificar que nas proximidades da área de instalação da coifa (em área acessível também com a coifa montada) uma tomada elétrica se encontre a disposição e seja possível conectar-se a um dispositivo de descarga fumos para o externo (somente Versão aspirante).
- Executar todos os trabalhos de alvenaria necessários (por ex: instalação de uma tomada elétrica e/ou tubo para a passagem do tubo de descarga).

A coifa é dotada de buchas de fixação adequadas à maior parte das paredes/tetos. No entanto é necessário que um técnico qualificado faça sua instalação. A parede/teto deve ser suficientemente robusta para suportar o peso da coifa.

## FUNCIONAMENTO

Usar a potência de aspiração no caso de uma maior concentração de vapor de cozimento. Aconselhamos ligar a aspiração 5 minutos antes de iniciar a cozinhar e de deixá-la em funcionamento por aproximadamente 15 minutos após o término do cozimento.

### WHI661STX, WHI641ST, WHI961STX, WHI961ST, WHT961STX, WHT941ST



Para selecionar as funções do exaustor é suficiente tocar os comandos.

#### T1. **Stand by** (painel de controle desligado – todas as funções desabilitadas) / **ON** (painel de controle ligado)

**Nota:** Depois de aproximadamente um minuto de inutilização do exaustor (aspiração e luz) retornará automaticamente em stand/by.

#### T2. **ON/OFF luzes**

Apenas em alguns modelos (**veja o diagrama acima**):

pressionar várias vezes para selecionar a intensidade da luz desejada:

**L1:** pouca luz

**L2:** luce média

**L3:** luce alta

pressionar novamente para desligar as luzes.

#### T3. **ON/OFF Funcionamento automático**

O exaustor ajusta automaticamente a velocidade (potência) de aspiração 1 para aumentar, se as condições ambientais detectadas pelo sensor do exaustor exigem.

Em ausência de variações nas condições ambientais, após 10 minutos (se o exaustor já se encontra na velocidade (potência) de aspiração 1), o exaustor desliga-se automaticamente.

**Nota:** para garantir o uso adequado desta função efetuar antes a "Definição dos parâmetros para o Funcionamento automático" (ver parágrafo correspondente).

**Nota:** Durante o funcionamento automático, se o usuário age sobre outras funções que regulam a velocidade, a função de auto ventilação desliga-se automaticamente.

#### T4. **Seleção manual da velocidade (potência) de aspiração:**

**L4:** velocidade (potência) de aspiração 1

**L5:** velocidade (potência) de aspiração 2

**L6:** velocidade (potência) de aspiração 3

pressionar novamente para desligar o exaustor (OFF).

**Nota:** a seleção manual exclui todas as outras funções definidas relativa à aspiração.

#### T5. **ON/OFF** velocidade (potência) de **aspiração intensiva "POWER BOOST"** (temporizada)

**Nota:** Após 5 minutos de funcionamento, o exaustor retorna ao estado precedente.

#### T6\*. **(Apenas em alguns modelos) ON/OFF** velocidade (potência) de **aspiração intensiva "POWER BOOST x 2"** (temporizada)

**Nota:** Após 5 minutos de funcionamento, o exaustor retorna ao estado precedente.

#### T7. **ON/OFF** modalidade de funcionamento **"Troca de ar"**

Acada 50 minutos de inatividade, se acende a velocidade (potência) de aspiração 1 por 10 minutos

#### T8. **ON/OFF Desligamento retardado** da velocidade (potência) de aspiração (cerca de 30 minutos)

**Nota:** esta função é disponível nas velocidades selecionáveis com a tecla **T4**.

#### T9. **Indicador e reset saturação filtros**

A tecla se acende automaticamente em luz fixa, quando for necessário efetuar a manutenção do filtro de gordura.

A tecla se acende automaticamente com a luz piscando, quando for necessário efetuar a manutenção do filtro de carvão.

Após a realização da manutenção, com o exaustor desligado e a tecla ativada, pressionar a tecla por mais de 3 segundos

para fazer o reset do indicador de saturação do filtro, repetir a operação se necessário (por exemplo, se ambos os filtros estiverem saturados).

#### **Ativação do indicador de saturação do filtro de carvão**

O indicador de saturação do filtro de carvão está normalmente desativado. Para ativá-lo, proceder da seguinte forma: Com o display aceso (ON) e a aspiração desligada (OFF) pressionar contemporaneamente as teclas **T8** e **T9** por mais de 3 segundos, a tecla **T9** se acenderá com luz fixa por cerca de 5 segundos, para indicar a ativação bem sucedida. Para desativar, repetir a operação, a tecla **T9** irá piscar por cerca de 5 segundos, para indicar a ativação bem sucedida.

#### **Regulação dos parâmetros para o Funcionamento automático**

Para garantir um uso adequado do funcionamento automático, efetuar a "Calibração do exaustor" e a "Seleção da placa de fogão".

##### **Calibração do exaustor**

Com o display aceso (ON) e a aspiração desligada (OFF), pressionar a tecla **T4** por 5 segundos.

A velocidade (potência) de aspiração 2 começa a funcionar e a tecla **T4** pisca, para indicar que está iniciando a calibração do exaustor, que durará por cerca de 15 minutos.

**Nota:** para interromper a calibração, pressionar a tecla **T4** por 5 segundos; a calibração será invalidada e deverá ser repetida posteriormente.

##### **Seleção da placa de fogão**

Com o display aceso (ON) e a aspiração desligada (OFF), pressionar a tecla **T3** por 5 segundos.

##### **Modelo com 2 níveis de potência intensiva T5 (POWER BOOST) e T6 (POWER BOOST x2)**

As teclas **T3**, **T5** e **T6** se acendem.

Pressionar a tecla **T5** em caso de placa de fogão à gás – a tecla piscará para indicar a seleção bem sucedida. Pressionar a tecla **T6** em caso de placa de fogão elétrico - a tecla piscará para indicar a seleção bem sucedida.

##### **Modelo com 1 nível de potência intensiva T5 (POWER BOOST)**

As teclas **T3**, **T7** e **T8** se acendem.

Pressionar a tecla **T7** em caso de placa de fogão à gás – a tecla piscará para indicar a seleção bem sucedida. Pressionar a tecla **T8** em caso de placa de fogão elétrico - a tecla piscará para indicar a seleção bem sucedida.

## **MANUTENÇÃO**

**Atenção! Antes de qualquer operação de limpeza ou manutenção, desconectar a coifa da rede elétrica tirando o plugue da tomada ou desligando o interruptor geral da alimentação elétrica.**

### **Limpeza**

O exaustor deve ser limpo frequentemente, interna e externamente (pelo menos com a mesma frequência com a qual se efectua a manutenção dos filtros antigorduras).

Para a limpeza use um pano umedecido com detergentes líquidos neutros. Evite o uso de produtos contendo abrasivos.

#### **NÃO UTILIZE ÁLCOOL!**

**Atenção:** O não cumprimento das instruções fornecidas para a limpeza do aparelho e para a limpeza ou substituição do filtro pode provocar riscos de incêndio.

O fabricante não se responsabiliza por danos causados ao motor ou decorrentes de incêndio, provocados por uma manutenção inadequada ou pelo não cumprimento das indicações de segurança citadas neste manual.

### **Filtro antigordura**

#### **Capta as partículas de gordura derivantes do cozimento.**

O filtro de gordura deve ser limpo uma vez por mês com detergentes não agressivos. O filtro pode ser lavado manualmente ou em máquina de lavar louça a baixas temperaturas e com ciclo breve.

O filtro metálico para a gordura pode perde cor com as lavagens na máquina da louça, mas suas características de filtração não se alteram.

Para desmontar o filtro anti gordura puxe o puxador de libertação com mola.

### **Filtro de carvão ativo (só para a versão filtrante)**

**Retém os odores desagradáveis produzidos durante a preparação de alimentos.**

A saturação do filtro de carvão activado se verifica após um uso mais ou menos prolongado em função do tipo de cozinha e da regularidade da limpeza do filtro de gorduras. Em todo caso, é necessário substituir o cartucho no máximo cada 4 meses.

NÃO pode ser lavado ou regenerado.

### **Substituição das lâmpadas**

A coifa é dotada de um sistema de iluminação baseada na tecnologia LED.

Os LED garantem uma iluminação melhor e uma duração de até 10 vezes maior que as lâmpadas tradicionais e economizam 90% de energia elétrica.

Para a substituição contactar o serviço de assistência técnica.

**Výrobce odmítá převzít jakoukoliv odpovědnost za případné závady, škody nebo vznícení digestoře, které byly způsobeny nedodržением těchto předpisů.** Digestoře je projektován pro odsávání dýma par přivaření a je určen pouze k domácím účelům. Digestoř může mít odlišný vzhled od ilustrací na výkresech této příručky, nicméně návod k použití, údržba a montáž zůstávají nezměněny.

- ! Je důležité uchovat si tuto příručku, abyste ji mohli konzultovat v jakémkoliv okamžiku. V případě prodeje, postoupení či stěhování si zajistíte, aby zůstala společně s přístrojem.
- ! Přečtěte si pozorně návod: obsahuje důležité informace o instalaci, užití a bezpečnosti.
- ! Neměňte elektrickou či mechanickou úpravu výroku anebo vývodního zařízení.
- ! Před instalací zařízení zkontrolujte, zda některá ze součástí není poškozena. V opačném případě kontaktujte prodejce a nepokračujte v instalaci.

**Poznámka:** detaily označené symbolem “(\*)” jsou volitelné doplňky, dodávané pouze pro některé modely nebo součástky, které je nutné dokoupit.



### VÝMĚNA ŽÁROVEK

**Pozor!** Nenapojte přístroj na elektrickou síť, dokud nebyla zcela dokončena jeho instalace.

Před provedením jakéhokoliv úkonu čištění nebo údržby, je třeba odpojit kryt od elektrické sítě tak, že se odpojí od zásuvky nebo vypnutím hlavního vypínače obytné jednotky.

Přívěsch instalačních a údržbových pracích použijte pracovní rukavice.

Přístroj není určen k používání pro děti nebo pro osoby se sníženými fyzickými, smyslovými nebo mentálními schopnostmi, které s ním nemají zkušenost a neznají ho. Tyto osoby mohou s přístrojem zacházet pouze tehdy, kdy jsou pod dohledem odborného personálu nebo jsou speciálně vyškoleny k jeho použití osobou odpovědnou za jejich bezpečnost.

Děti musí být pod dohledem, aby si s přístrojem nehrály. Nikdy nepoužívejte kryt bez správně namontované mříže!

Kryt nesmí být NIKDY používán jako odkládací plocha. Může se tak stát pouze ve specificky uvedených případech.

Místnost musí být vybavena dostatečnou ventilací, v případě, že je kuchyňský kryt používán současně s jinými přístroji s plynovým spalováním nebo spalováním jinými palivy.

Odsávaný vzduch nesmí být odváděn do odvodu používaného pro odpad kouř přístrojů na plynové spalování nebo spalování jiných paliv.

Je přísně zakázáno vařit jídla s volným plamenem pod krytem.

Použití otevřeného plamene je škodlivé pro filtry a může se stát příčinou požárů, je tedy třeba se mu vyhnout v každém případě.

Smažení je třeba provádět pouze za stálé kontroly, aby nenastala situace, kdy se olej přehřeje a dojde k jeho vznícení. Přístupné části se mohou značně rozpálit, pokud jsou používány současně s varným zařízením.

Pokud se týká technických a bezpečnostních opatření, která je třeba zaujmout při odvádění kouře, je třeba úzce dodržovat normy místních odpovědných orgánů.

Kryt je třeba často čistit jak vnitřně, tak z vnějšku (ALE SPONĚJEDNOU ZAMĚSÍC), je třeba v každém případě dodržovat vše, co je uvedeno v návodu k údržbě popsaném v tomto manuálu.


Nedodržování norem čištění krytu a výměny a čištění filtrů se může stát příčinou požárů.

Nepoužívejte činně nechte digestoř bez řádně nastavených svídek a nevystavujte se tak nebezpečí elektrického výboje.

Výrobce se zříká jakékoliv odpovědnosti za eventuální nepřijemnosti, škody nebo požáry způsobené na přístroji, které jsou následkem nedodržování pokynů uvedených v tomto manuálu.

Tento spotřebič je označen v souladu s evropskou směrnicí 2002/96/ES o likvidaci elektrického a elektronického zařízení (WEEE). Zajištěním správné likvidace tohoto výrobku pomůžete zabránit případným negativním důsledkům na životní prostředí a lidské zdraví, ke kterým by nevhodnou likvidací tohoto výrobku mohlo dojít.



Symbol  na výrobku nebo na dokumentech přiložených k výrobku udává, že tento spotřebič nepatří do domácího odpadu. Spotřebič je nutné odvézt do sběrného místa pro recyklaci elektrického a elektronického zařízení. Likvidace musí být provedena v souladu s místními předpisy o ochraně životního prostředí, které se týkají likvidace odpadu. Podrobnější informace o zpracování,

rekuperaci a recyklaci tohoto výrobku zjistíte u příslušného místního úřadu, služby pro likvidaci domovního odpadu nebo v obchodě, kde jste výrobek zakoupili.

Přístroj byl navržen, testován a vyroben v souladu s:

1. Bezpečnost: EN/IEC 60335-1; EN/IEC 60335-2-31, EN/IEC 62233.
2. Výkonost: EN/IEC 61591; ISO 5167-1; ISO 5167-3; ISO 5168; EN/IEC 60704-1; EN/IEC 60704-2-13; ISO 3741; EN 50564; IEC 62301.
3. EMC: EN 55014-1; CISPR 14-1; EN 55014-2; CISPR 14-2; EN/IEC 61000-3-2; EN/IEC 61000-3-3.

(Osobitý mezinárodní výbor pro rádiové rušení, pozn. překl)

Doporučení pro správné použití s cílem snížit dopad na životní prostředí:

Zapněte digestoř na minimální rychlost, když začnete s vařením a nechte ji běžet několik minut poté, co jste vaření ukončili. Zvyšte rychlost pouze v případě nadměrného množství kouře nebo páry a použijte podpornou rychlost (i) jenom v extrémních situacích. Vyměňte uhlíkový filtr (y), je-li to nutné pro udržování účinnosti snižování zápachu. Vyčistěte tukový filtr (y), je-li to nutné pro udržování jeho účinnosti. Použijte maximální průměr potrubního systému, jak je uvedeno v tomto návodu, pro optimalizaci účinnosti a minimalizaci hluku.

**POZOR!** Pokud instalace šroubů úchytných zařízení není provedena v souladu s tímto návodem, hrozí nebezpečí úrazu elektrickým proudem.

## POUŽITÍ

Digestoře možné použít s odsáváním mimo místnost, nebo s recirkulačním filtrem pro čištění vzduchu v místnosti.



### Odsávání mimo místnost

Páry jsou vyváděny mimo místnost odtahovým potrubím upevněného na spojovací přírubě. Průměrotahového potrubí se musí rovnat průměru spojovacího prstence.

**Pozor!** Odtahové potrubí není součástí vybavení a je třeba ho zakoupit.

Horizontální část odtahového potrubí musí mít lehký sklon směrem nahoru (přibližně 10°), tak aby vzduch mohl být odváňen směrem ven snadněji.

Jestliže je digestoř vybavena filtry s uhlíkem, musejí být vyňaty.

Napojte digestoř na odtahové potrubí se stejným průměrem jako vývod vzduchu (spojovací příruba). Použití odtahového potrubí s menším průměrem způsobí snížení výkonu a zvýšení hluku.

Za to výrobce odmítá jakoukoliv zodpovědnost.

- ! Použijte co nejkratší odtahové potrubí.
- ! Použijte odtahové potrubí s co nejmenším počtem záhybů (maximální úhel záhybu: 90°).
- ! Vyhněte se zásadním změnám sekce vedení odtahu.
- ! Použijte odtahové potrubí s co nejhladším vnitřním povrchem.
- ! Materiál použitý pro odtahové potrubí musí odpovídat platným normám.



### Odsávání s recirkulací

Odsávaný vzduch bude před návratem do místnosti zbaven tuku a pachů. K použití digestořev této verzi je nutné instalovat dodatečný systém filtrování na základě aktivních uhlíků.

## INSTALACE

Minimální vzdálenost mezi podporou nádoby na varné ploše a nejnižší částí digestořev nesmí být menší než 50 cm v případě elektrických sporáků a 65 cm v případě plynových či smíšených sporáků.

Pokud návod na instalaci varného zařízení na plyn doporučuje větší vzdálenost, je třeba se tímto pokynem řídit.





## Elektrické připojení

Síťové napětí musí odpovídat napětí uvedenému na štítku s charakteristikami umístěnému uvnitř krytu. Pokud je kryt vybaven přípojkou, stačí jej zapojit do zásuvky odpovídající stávajícím normám, která se nachází ve snadno dosažitelném prostoru i po provedené montáži. Pokud kryt není vybaven přípojkami (přímé připojení k síti) nebo se zásuvka nenachází ve snadno dosažitelném prostoru i po provedené montáži, je třeba použít dvojpólový vypínač odpovídající normám, který zaručí úplné odpojení od sítěv podmínkách kategorie přepětí III, v souladu s pravidly instalace.

Pozor! Dříve než opět napojíte obvod digestoře na síťové napájení a ověříte správné fungování, zkontrolujte si vždy, že síťový kabel byl správně namontován.

Digestoře je vybavena speciálním napájecím kabelem; v případě poškození kabelu vyžádejte si ho u servisní služby.

## Instalace

Výrobek o velké hmotnosti, manipulace a instalace digestoře by měla být prováděna alespoň dvěma nebo více osobami.

Před zahájením instalace:

- Zkontrolujte, zda má zakoupený výrobek vhodné rozměry pro zvolený prostor instalace.
- Odložte filtry s aktivním uhlím – jsou-li dodány (viz příslušný odstavec). Je třeba je namontovat zpět, pokud je to možné, nebo je odložit na bezpečné místo. Je třeba je namontovat zpět, pokud je to možné, nebo je odložit na bezpečné místo.
- Zkontrolujte, zda se uvnitř odsavače nenachází (z přepravních důvodů) materiál příslušenství (například sáčky se šrouby, záruky atd.), případně je vyjměte a uschovejte.
- Pokud je to možné, odpojte a odstraňte nábytek nacházející se pod a kolem prostoru instalace za účelem získání lepšího přístupu ke stropu/stěně, na který/ou má být odsavač nainstalován. Dále je třeba v rámci možnosti co nejlépe ochránit nábytek a všechny součásti potřebné pro instalaci. Zvolte si rovný povrch a pokryjte jej ochrannou fólií, na kterou uložíte odsavač součástí příslušenství.
- Dále zkontrolujte, zda je v blízkosti prostoru instalace odsavače (v prostoru přístupném i po montáži odsavače) dostupná zásuvka elektrického rozvodu a zda bude možné provést připojení zařízení na odvádění kouřem směrem ven (platí pouze pro odsávací verzi).
- Proveďte všechny potřebné zednické práce (např.: instalaci zásuvky elektrického rozvodu a/nebo realizaci otvoru pro průchod kouřové trubky).

Digestoře dodávána se speciálními hmoždinkami, které jsou vhodné pro zavěšení do většiny stropních konstrukcí. Přesto by mělo být provedeno zavěšení kvalifikovaným odborným pracovníkem, který rozhodne, zda jsou tyto hmoždinky vhodné pro místní typ a materiál stropní konstrukce. Zároveň zkontrolujte únosnost stropu pro digestoř.

## PROVOZ

V případě velmi intenzivní koncentrace kuchyňských par použijte maximální sací výkon. Doporučuje se zapnout digestoř 5 minut před zahájením vaření a vypnout ji cca 15 minut po ukončení vaření.

Pro nastavení funkcí digestoře stlačte tlačítka ovladačů.

### WHI661STX, WHI641ST, WHI961STX, WHI961ST, WHT961STX, WHT941ST

T1	T2	T3	T4	T5	T6*	T7	T8	T8

**T1. Stand by** (vypnutý ovládací panel - všechny funkce jsou vypnuté) / **ON** (zapnutý ovládací panel)

**Poznámka:** Po přibližně jedné minutě nepoužívání digestoře (odsávání a světla) se digestoř automaticky vrátí do režimu stand/by.

**T2. ON/OFF světla**

Pouze u některých modelů (viz výkres nahoře): opakovaně stiskněte až do nastavení požadované intenzity světla.

L1: nízká intenzita

**L2:** střední intenzita

**L3:** vysoká intenzita

znovu stiskněte pro vypnutí světel.

### **T3. ON/OFF Automatický režim**

Digestoř automaticky nastaví rychlost (výkon) odsávání 1 pro zvýšení intenzity, pokud to okolní podmínky zaznamenané snímačem digestoře vyžadují.

Pokud v okolním prostředí nejsou zaznamenány žádné změny, po 10 minutách (pokud je digestoř již v režimu rychlosti (výkonu) odsávání 1) se digestoř vypne.

**Poznámka:** pro správné použití této funkce nejdříve proveďte "Nastavení parametrů automatického režimu" (viz příslušný odstavec).

**Poznámka:** Pokud během automatického režimu uživatel reguluje rychlost prostřednictvím jiných funkcí, funkce automatického větrání se deaktivuje.

### **T4. Manuální nastavení rychlosti (výkonu) odsávání:**

**L4:** rychlost (výkon) odsávání 1

**L5:** rychlost (výkon) odsávání 2

**L6:** rychlost (výkon) odsávání 3

znovu stiskněte pro vypnutí digestoře (OFF).

**Poznámka:** manuální nastavení deaktivuje všechny ostatní funkce odsávání.

### **T5. ON/OFF rychlost (výkon) intenzivního odsávání "POWER BOOST" (načasované)**

**Poznámka:** Po 5 minutách provozu se digestoř vrátí do původního stavu.

### **T6\*. (Pouze u některých modelů) ON/OFF rychlost (výkon) intenzivního odsávání "POWER BOOST x 2" (načasované)**

**Poznámka:** Po 5 minutách provozu se digestoř vrátí do původního stavu.

### **T7. ON/OFF funkční režim "Výměna vzduchu"**

Po každých 50 minutách nečinnosti se zapne rychlost (výkon) odsávání 1 na 10 minut.

### **T8. ON/OFF Zpožděné vypnutí rychlosti (výkonu) odsávání (přibližně 30 minut)**

**Poznámka:** tato funkce je dostupná pro rychlosti nastavitelné tlačítkem T4.

### **T9. Ukazatel a reset zanesení filtrů**

Tlačítko se automaticky rozsvítí a nepřerušovaně svítí, pokud je nutné provést údržbu tukového filtru. Tlačítko se automaticky rozsvítí a bliká, pokud je nutné provést údržbu uhlíkového filtru.

Po provedení údržby s vypnutou digestořa aktivním tlačítkem stiskněte tlačítko na více než 3 vteřiny pro provedení resetu ukazatele zanesení filtrů a v případě potřeby úkon zopakujte (například v případě zanesení obou filtrů).

**Aktivace ukazatele zanesení uhlíkového filtru.**

Ukazatel zanesení uhlíkového filtru je za normálních okolností deaktivován. Pro aktivaci postupujte následujícím způsobem:

Se zapnutým displejem (ON) a vypnutým odsáváním (OFF) stiskněte současně tlačítka **T8** a **T9** na více než 3 vteřiny, tlačítko **T9** se rozsvítí a bude nepřerušovaně svítit přibližně 5 vteřin pro upozornění na aktivaci.

Pro deaktivaci zopakujte stejný postup, tlačítko **T9** bude blikat přibližně 5 vteřin pro upozornění na deaktivaci.

## **Nastavení parametrů automatického režimu**

Pro správné použití automatického režimu proveďte "Seřízení digestoře" a "Výběr varné plochy".

### **Seřízení digestoře**

Se zapnutým displejem (ON) a vypnutým odsáváním (OFF) stiskněte tlačítko **T4** na 5 vteřin.

Rychlost (výkon) odsávání 2 se aktivuje a tlačítko **T4** začne blikat, což znamená, že byl zahájen cyklus seřizování digestoře, který trvá přibližně 15 minut.

**Poznámka:** pro přerušování seřizování stiskněte **T4** na 5 vteřin, seřizování bude zrušeno a bude nutné tento úkon zopakovat.

### **Výběr varné desky**

Se zapnutým displejem (ON) a vypnutým odsáváním (OFF) stiskněte tlačítko **T3** na 5 vteřin.

Model se 2 stupni intenzivního výkonu **T5** (POWER BOOST) a **T6** (POWER BOOST x 2)

Tlačítka **T3**, **T5** a **T6** se rozsvítí.

Stiskněte tlačítko **T5** pokud se jedná o plynovou varnou desku - tlačítko bude blikat pro upozornění na provedené nastavení.  
Stiskněte tlačítko **T6** pokud se jedná o elektrickou varnou desku - tlačítko bude blikat pro upozornění na provedené nastavení.  
Model s 1 stupněm intenzivního výkonu **T5 (POWER BOOST)**

Tlačítka **T3, T7 a T8** se rozsvítí.

Stiskněte tlačítko **T7** pokud se jedná o plynovou varnou desku - tlačítko bude blikat pro upozornění na provedené nastavení.  
Stiskněte tlačítko **T8** pokud se jedná o elektrickou varnou desku - tlačítko bude blikat pro upozornění na provedené nastavení.

## ÚDRŽBA

**Pozor!** Před jakoukoliv operací čištění či údržby odpojte digestoř od elektrické sítě, vyjměte zástrčku nebo vypněte hlavní spínač bytu.

### Čištění

Digestoř musí být často čistěna, jak uvnitř tak zevně (alespoň stejně často jako je prováděna údržba filtrů proti mastnotám). Pro čištění je třeba použít látku navlhčenou denaturovaným líhem nebo neutrálními tekutými čisticími prostředky. Nepoužívejte prostředky obsahující brusné látky.

#### **NEPOUŽÍVEJTE ALKOHOL!**

**Pozor:** nedodržení norem čištění přístroje a vyměňování filtrů by mohlo vést k požárům. Doporučujeme tedy dodržovat návod k použití.

Výrobce odmítá jakoukoliv zodpovědnost za škody na motoru, požáry způsobené nesprávnou údržbou či nedodržením výše uvedeného upozornění.

### Tukový filtr

Zadržuje částice tuku uvolňující se při vaření.

Tukový filtr se musí 1 x do měsíce vyčistit.

Je možné jej čistit ručně jemným mycím prostředkem nebo v kuchyňské myčce při nejvyšší teplotě kratším programem. Demontáž tukového filtru je znázorněna - zatlačte na západku filtru.

### Filtr s aktivním uhlíkem (jen u filtrační verze)

Tento filtr pohlcuje nepříjemné pachy vznikající při vaření.

Saturace filtru s uhlíkem nastane po více čiméně dlouhém užití, tj. závisí na typu kuchyně a pravidelném čištění filtru proti mastnotám. V každém případě je nutné nahradit patronu maximálně jednou za 4 měsíce.

NEMŮŽE být umýván či regenerován.

### Výměna žárovek

Digestoř je vybavena osvětlovacím systémem založeným na technologii DIOD.

DIODY zaručují optimální osvětlení, s trvanlivostí až 10 krát delší než tradiční svítilna a umožňují úspory 90% elektrické energie.

Pro výměny se obraťte na servisní službu.

**Ezen kézikönyv utasításait szigorúan be kell tartani.** Az itt feltüntetett utasítások be nem tartásából származó bármilyen hiba, kár vagy tüzesettel kapcsolatban a gyártó felelősséget nem vállal. A páraelszívó a főzési pára és füst elszívására szolgál, kizárólag háztartási használatra.

**Az elszívó esztétikai megjelenésében eltérhet a jelen kézikönyv ábráin szereplőtől, de a használati, karbantartási és felszerelési utasítások nem változnak.**

- ! Fontos, hogy ezt a kézikönyvet megőrizze, hogy bármikor tájékozódhasson belőle. Eladás, átadás vagy költözés esetén gondoskodjon arról, hogy a kézikönyv a terméket kísérje.
- ! Az útmutatásokat figyelmesen olvassa el: fontos tájékoztatások találhatók köztük a telepítésre, a használatra és a biztonságra vonatkozóan.
- ! Ne módosítsa a termék elektromos vagy mechanikai rendszerét, vagy a kivezetőcsöveket.
- ! A berendezés beszerelésének megkezdése előtt győződjön meg róla, hogy minden alkatrész sérülésmentes-e. Ellenkező esetben forduljon a viszonteladóhoz és ne szerelje fel a berendezést.

**Megjegyzés:** A (\*) jellel jelzett alkatrészek extrák, csak bizonyos modellekhez járnak, illetve a készülékkel nem szállított, megvásárolandó alkatrészek.



### FIGYELMEZTETÉS

**Figyelem!** A készüléket mindaddig ne kösse be az elektromos hálózatba, amíg a beszerelést teljesen be nem fejezte. Takarítás vagy karbantartás előtt minden esetben kösse ki az elszívót az elektromos hálózatból a villásdugó kihúzása vagy a lakás főbiztosítékának lecsapása révén.

Valamennyi üzembe helyezési és karbantartási művelethez használjon védőkesztyűt.

A készülék nem arra készült, hogy gyermekek, vagy csökkent fizikai vagy értelmi képességekkel rendelkező, tapasztalatok és ismeretek híján levő emberek használják, hacsak nem a biztonságukért felelős személy felügyelete alatt, vagy ha ez a személy a készülék használatát megtanította.

Ügyeljenek a kisgyermekekre, nehogy a készülékkel játszanak. Az elszívót a fém zsírszűrő (rács) nélkül soha ne használja!

A konyhai páraelszívót SOHA nem szabad lerakó felületnek használni, kivéve, ha kifejezetten fel van tüntetve ez a lehetőség.

A helyiségnek elegendőszellőzéssel kell rendelkeznie, amennyiben a konyhai elszívót gáz és más tüzelőanyaggal működtetett készülékekkel egyidőben használják.

Az elszívott levegőt nem szabad olyan kéménybe, füstcsőbe vezetni, amelyet gáz vagy más tüzelőanyagok égéstermékeinek elvezetésére használnak.

Az elszívó alatt szigorúan tilos flambírozott ételeket készíteni.

A nyílt láng használata károsítja a filtereket, tűzveszélyt okozhat, ezért minden esetben kerülni kell. Bőzsiradékból sütni csak ellenőrzés mellett szabad, nehogy a túlhevült olaj vagy zsír meggyulladjon. Főzés közben a felszálló forró levegő a készülék háza felmelegítheti!

A füstelvezetésre vonatkozó műszaki és biztonsági intézkedések tekintetében szigorúan be kell tartani a helyi illetékes hatóságok előírásait.

Az elszívót gyakran kell tisztogatni, mind belülről, mind kívülről. (LEGALÁBB HAVONTA EGYSZER, minden esetben betartva ezen kézikönyvben kifejezetten előírt karbantartási utasításokat.)

Az elszívó tisztántartására, valamint a filterek cseréjére és tisztítására vonatkozó előírások be nem tartása tűzveszélyt okoz. A páraelszívót ne használja szabályosan beszerelt izzólámpa nélkül, mert áramütés veszélye léphet fel.

A kézikönyvben szereplő utasítások be nem tartásából következő kellemetlenségekért, károkért vagy tüzesetekért a gyártó nem vállal felelősséget.

A készüléken található jelzés megfelel az elektromos és elektronikus berendezések hulladékairól szóló 2002/96/EK európai irányelvben (WEEE) foglalt előírásoknak.

A hulladékká vált termék szabályszerű elhelyezésével Ön segít elkerülni a környezettel és az emberi egészséggel kapcsolatos azon esetleges negatív következményeket, amelyeket a termék nem megfelelő hulladékkezelése egyébként okozhatna.



A terméken vagy a termékhez mellékelte dokumentumokon feltüntetett jelzés arra utal, hogy ez a termék nem kezelhető háztartási hulladékként. Ehelyett a terméket a villamos és elektronikus berendezések újrahasznosítását végző telephelyek valamelyikén kell leadni.

Kiselejtezőskor a hulladékeltávolításra vonatkozó helyi környezetvédelmi előírások szerint kell eljárni.

A termék kezelésével, hasznosításával és újrahasznosításával kapcsolatos bővebb tájékoztatásért forduljon a lakóhelye szerinti polgármesteri hivatalhoz, a háztartási hulladékok kezelését végző társasághoz vagy ahhoz a bolthoz, ahol a terméket vásárolta.

A berendezést a következő szabványoknak megfelelően tervezték, gyártották, és ellenőrizték:

1. Biztonság: EN/IEC 60335-1; EN/IEC 60335-2-31, EN/IEC 62233.
2. Teljesítmény: EN/IEC 61591; ISO 5167-1; ISO 5167-3; ISO 5168; EN/IEC 60704-1; EN/IEC 60704-2-13; ISO 3741; EN 50564; IEC 62301.
3. Elektromágneses összeférhetőség (EMC): EN 55014-1; CISPR 14-1; EN 55014-2; CISPR 14-2; EN/IEC 61000-3-2; EN/IEC 61000-3-3.

A megfelelő használatot és a környezetre gyakorolt káros hatás mérséklését elősegítő javaslatok: Az elszívót a minimum sebességen kapcsolja be akkor, amikor a főzést megkezdi, és hagyja néhány percig üzemelni még azt követően is, hogy a főzést befejezte. A berendezést csak akkor kapcsolja nagyobb sebességfokozatra, ha a főzés közben nagy mennyiségű füst vagy gőz keletkezik, és csak akkor használja az intenzív sebességet, ha arra ténylegesen szükség van. Cserélje ki a szén szűrőket akkor, amikor a berendezés jelzi ennek szükségességét, így biztosíthatja, hogy a készülék hatékonyan nyeli el a szagokat. A megfelelő szűrőképesség biztosítása érdekében cserélje ki a zsírszűrőt akkor, amikor a berendezés erre figyelmeztet. A hatékonyság növelése és a zajszint csökkentése érdekében tanácsos a jelen útmutató által megadott maximális csőátmérőket alkalmazni.

**FIGYELEM!** A csavarok és rögzítőeszközök nem előírás szerinti behelyezése áramütést okozhat.

## HASZNÁLAT

Az elszívót úgy tervezték, hogy kivezetett üzemmódban a szabadba történő kibocsátással, vagy filteres, keringtetett üzemmódban működhessen.



### Kivezetett üzemmód

A gőzök kivezetése a gyűjtőkarimához rögzített elvezetőcsövön történik.

Az elvezetőcsőátmérője az összekötőgyűrűátmérőjével azonos kell legyen. **Figyelem!** Kivezetőcsőnincs a csomagban, külön kell azt megvenni.

A horizontális részen a csőnyhe felfelé vezetőívvel (kb. 10°) kell rendelkezzen, hogy a levegőt minél könnyebben kivezethesse. Amennyiben az elszívó szénfilteres, szükséges annak kiemelése.

Csatlakoztassa a páraelszívót a levegőkimenettel (csatlakozó karima) azonos átmérőjű kivezetőcsőhöz.

A kisebb átmérőjű cső használata az elszívás hatásfokának csökkenését és a készülék zajszintjének drasztikus növekedéséhez vezet.

Ezért ezzel kapcsolatban felelősséget nem vállalunk.

- 1! Minimális hosszúságú csővezetékét használjon.
- 2! A csővezeték a lehető legkevesebb hajlással rendelkezzen (maximális hajlásszög: 90°).
- 3! Kerülje a csődeformálódását.
- 4! A használandó csőbelseje a lehető legsimább legyen.
- 5! A csőanyaga az előírásban elfogadottaknak megfelelő legyen.



## Keringtetett üzemmód

Az elszívott levegőszirtalanításra, majd szagtalanításra kerül, mielőtt a terembe visszaáramoltatásra kerülne. Az elszívó ilyen üzemmódban való használatához szükséges további, aktív szén alapú szűrőrendszer installálása.

## FELSZERELÉS

A főzőkészülék felülete és a konyhai szagelszívó legalsó része közötti minimális távolság nem lehet kisebb, mint 50cm elektromos főzőlap, és 65cm gáz vagy vegyes tüzelésű főzőlap esetén.

Ha a gázfőzőlap beszerelési utasításában ennél nagyobb távolság szerepel, azt kell figyelembe venni.



## Villamos bekötés

A hálózati feszültségnek azonosnak kell lennie a konyhai páraelszívó belsejében elhelyezett műszaki adattáblán feltüntetett feszültséggel. Ha az elszívó rendelkezik villásdugóval, csatlakoztassa egy hozzáférhető helyen elhelyezett, az érvényben lévő szabványoknak megfelelő dugaszoló aljzathoz, akár a beszerelést követően is. Ha nem rendelkezik csatlakozódugóval (közvetlen csatlakozás a hálózathoz) vagy a dugaszoló aljzat nem hozzáférhető, szereljen fel egy szabványos, kétpólusú megszakítót akár a beszerelést követően is, amely III. túláram-kategória esetén biztosítja a hálózatról való teljes leválasztását, a telepítési szabályoknak megfelelően.

**Figyelem!** mielőtt az elszívó áramkörét visszaköti a hálózatba és ellenőrzi, hogy az elszívó helyesen működik-e, mindig ellenőrizze azt is, hogy a hálózati vezeték beszerelése szabályos-e.

Az elszívó speciális kábellel rendelkezik, melynek sérülése esetén cseréjét kérje a szakszerviz szolgáltatótól.

## Felszerelés

Nagy súlya miatt a készülék mozgatását és üzembe helyezését legalább két vagy több személynek kell végeznie. PMielőtt a telepítést elkezdéné:

- Ellenőrizze, hogy a megvásárolt termék a kiválasztott telepítési helynek megfelelő méretű-e.
- Vegye le az aktív szénes filtert/filtereket (\*) ha van a gépen (lásd a vonatkozó bekezdést is). Ezt csak akkor kell visszaszerelni, ha az elszívót keringtetett üzemmódban kívánja használni.
- Ellenőrizze, hogy az elszívó belsejében nem maradtak-e (szállítási igények miatt) tartozékok (például csavarokat tartalmazó zacskók (\*), garanciaokmány (\*) stb.) ha igen, vegye ki és őrizze meg.
- Ha lehetséges, az elszívó felszerelési helye alatt és környezetében bontsa ki és távolítsa el a bútorokat, hogy jobban hozzáférhessen a falhoz/mennyezethez, ahová az elszívót telepíteni fogja. Ha nem lehet, a bútorokat és a szerelés környezetét amennyire lehetséges, takarja le. Válasszon ki egy sík felületet, takarja le, és erre rakja le az elszívót és a hozzá tartozó kiegészítőket.
- Ellenőrizze továbbá, hogy az elszívó telepítési zónájában (olyan helyen, amely azután is hozzáférhető, hogy az elszívót felszerelték), van-e egy villamos csatlakozó aljzat, és a füstelvezetéshez lehet-e csatlakozni egy kültérbe vezető készülékhez (csak kivezetett üzemmódnál).
- Végezze el az összes szükséges kőművesmunkát (pl. csatlakozó aljzat telepítése, kivezetőcsőszámára falnyílás készítése).

Az elszívót a legtöbb falhoz/mennyezethez alkalmas rögzítőpiplikkel láttuk el. Mindazonáltal szakembert kérdezzen meg arról, alkalmasak -e az anyagok az adott falhoz/mennyezethez. A falnak/mennyezetnek elegendően erősnek kell lennie, hogy az elszívó súlyát megtartsa.

## MŰKÖDÉSE

Amikor a konyhában különösen nagy a pára koncentráció, használja a nagyobb sebességet. Javasoljuk, hogy főzés előtt 5 perccel kapcsolja be az elszívót, és a főzés befejezése után 15 perccig működtesse tovább.

### WHI661STX, WHI641ST, WHI961STX, WHI961ST, WHT961STX, WHT941ST



Az elszívó funkcióinak kiválasztásához elegendő megérintenie a vezérlőgombokat.

#### T1. **Stand by** (kikapcsolt vezérlőpanel - minden funkció kikapcsolva) / **ON** (bekapcsolt vezérlőpanel)

**Megjegyzés:** Ha az elszívót körülbelül egy percig nem használja (elszívás és világítás), az automatikusan a stand/by módra áll vissza.

#### T2. **Világítás ON/OFF**

Csak némelyik modellnél (lásd az ábrát fent):

nyomja meg többször, míg a kívánt erősségű világítást el nem éri:

**L1:** gyenge fényerősség

**L2:** közepes fényerősség

**L3:** nagy fényerősség

a világítás lekapcsolásához ismételten nyomja meg.

#### T3. **ON/OFF Automata működés**

Az elszívó automatikusan a 1. elszívás sebességre (teljesítményre) áll, melyet növel, ha a szenzor által érzékelt környezeti feltételek úgy kívánják.

A környezeti feltételek állandósága esetén 10 perc eltelté után (amennyiben az elszívó már az 1. elszívó sebesség (teljesítmény) fokozatban van), az elszívó kikapcsol.

**Megjegyzés:** ennek a funkciónak a helyes használatához először végezze el az "Automata működés paramétereinek beállítását" (lásd a vonatkozó bekezdést).

**Megjegyzés:** Az automata működés során, amennyiben a felhasználó a sebességet szabályozó egyéb funkciókat használja, az automatikus szellőztetés funkciója kikapcsol.

#### T4. **Elszívási sebesség (teljesítmény) kiválasztása:**

**L4:** 1. elszívási sebesség (teljesítmény)

**L5:** 2. elszívási sebesség (teljesítmény)

**L6:** 3. elszívási sebesség (teljesítmény)

az elszívó lekapcsolásához (OFF) ismételten nyomja meg.

**Megjegyzés:** a kézi választás minden egyéb, az elszívás beállítását érintő funkciót kizár.

#### T5. **ON/OFF intenzív "POWER BOOST" elszívás sebesség** (teljesítmény) (időkorlátozott)

**Megjegyzés:** Az 5 perc működési időleltelével az elszívó visszaáll az előzőleg beállított sebességre.

#### T6\*. **(Csak egyes modelleknél) ON/OFF intenzív "POWER BOOST x2" elszívás sebesség** (teljesítmény) (időkorlátozott)

**Megjegyzés:** Az 5 perc működési időleltelével az elszívó visszaáll az előzőleg beállított sebességre.

#### T7. **ON/OFF "légcseré"** üzemmód

Minden 50 perc inaktivitás után az 1. elszívó sebesség (teljesítmény) kapcsol be, 10 percre.

#### T8. **ON/OFF elszívás sebesség** (teljesítmény) késleltetett kikapcsolás (cca 30 perc).

**Megjegyzés:** ez a funkció a T4 gombbal választható sebességi fokozatnál érhető el.

#### T9. **Szűrőteltettség kijelzés újraállítás**

A gomb automatikusan kigyullad és fixen világít, amikor a zsírszűrőtisztítása szükséges. A gomb automatikusan kigyullad és villog, amikor a szénzsűrőtisztítása szükséges.

A karbantartás elvégzése után, kikapcsolt elszívónál és aktív gombnál a szűrőteltettség kijelzővisszaállításához tartsa lenyomva a gombot több mint 3 másodpercig, ismételve meg a műveletet, amennyiben szükséges (ha például mindkét

szűrőteltített).

### **Aszénfilter telítettség kijelzőaktiválása**

Aszénfilter telítettség kijelzőáltalában deaktivált. Aktiválásához az alábbiak szerint járjon el:

Bekapcsolt (ON) kijelzőn és kikapcsolt (OFF) elszívásnál tartsa a **T8** és **T9** gombokat egyszerre lenyomva több mint 3 másodpercig. A **T9** ekkor kigyullad és fixen világít körülbelül 5 másodpercig annak jeléül, hogy az aktiválás megtörtént. Deaktiválásához ismételje meg a műveletet, ekkor a **T9** gomb mintegy 5 másodpercig tartó villogása jelzi a deaktiválás megtörténtét.

### **Az automata működés paramétereinek beállítása**

Az automata működés helyes használatához végezze el az "Elszívó kalibrálását" és a "Főzőlap kiválasztását".

#### **Az elszívó kalibrálása**

Bekapcsolt (ON) kijelzőn és kikapcsolt (OFF) elszívás mellett tartsa lenyomva a **T4** gombot 5 másodpercig.

A 2. elszívás sebesség (teljesítmény) működésbe lép és a **T4** gomb villogni kezd annak jeléül, hogy az elszívó kalibrálása megkezdődött, mely mintegy 15 percig tart.

**Megjegyzés:** a kalibrálás megszakításához tartsa lenyomva a **T4** gombot 5 másodpercig; ezzel a kalibrálást érvényteleníti, így azt meg kell majd ismételnie.

#### **Főzőlap kiválasztása**

Bekapcsolt (ON) kijelzőn és kikapcsolt (OFF) elszívás mellett tartsa lenyomva a **T3** gombot 5 másodpercig.

#### **Két intenzív fokozattal T5 (POWER BOOST) és T6 (POWER BOOST x 2) rendelkezőmodell**

A **T3**, **T5** és **T6** gombok kigyulladnak.

Gáz főzőlap esetén nyomja meg a **T5** gombot - a gomb villogni kezd annak jeléül, hogy a kiválasztás megtörtént. Elektromos főzőlap esetén nyomja meg a **T6** gombot - a gomb villogni kezd annak jeléül, hogy a kiválasztás megtörtént.

#### **Egy intenzív fokozattal T5 (POWER BOOST) rendelkezőmodell**

A **T3**, **T7** és **T8** gombok kigyulladnak.

Gáz főzőlap esetén nyomja meg a **T7** gombot - a gomb villogni kezd annak jeléül, hogy a kiválasztás megtörtént. Elektromos főzőlap esetén nyomja meg a **T8** gombot - a gomb villogni kezd annak jeléül, hogy a kiválasztás megtörtént.

## **KARBANTARTÁS**

Figyelem! Takarítás vagy karbantartás előtt minden esetben kösse ki az elszívót az elektromos hálózatról a villásdugó kihúzása vagy a lakás főbiztosítékának lecsapása révén.

### **Tisztítás**

Az elszívót gyakran kell tisztítani, mind belülről, mind kívülről (legalább olyan gyakran, mint a zsírszűrőfilterek tisztítását). A tisztításhoz használjon semleges folyékony mosószerrel átitatott nedves ruhát. Kerülje a súrolószert tartalmazó mosószerek használatát.

### **NE HASZNÁLJON ALKOHOLT!**

**Figyelem!** Az elszívó tisztán tartására, valamint a filterek cseréjére vonatkozó előírások be nem tartása tűzveszélyt okoz. Ezért felhívjuk figyelmét, hogy tartsa be az utasításokat.

A helytelen karbantartás, vagy a fent említett utasítások be nem tartása miatt a motorban esetleg bekövetkező károk vagy tüzesetek miatt semmiféle felelősséget nem vállalunk.

### **Zsírszűrőfilter**

Visszatartja a főzésből eredő zsírrészecskéket.

Havonta egyszer nem agresszív tisztítószerezrel, kézzel vagy mosogatógépben, alacsony hőfokon és rövid ciklussal el kell mosogatni.

Mosogatógépben történő mosogatás a zsírszűrőelszíneződését okozhatja, de ez nem változtat hatékonyságán. A zsírszűrőfilter



leszereléséhez húzza meg a rugós horgot.

### **Szénfilter (csak keringtetett változat esetén)**

Magában tartja a főzésbőlszármazó kellemetlen szagokat.

A szénfilter telítődése többé vagy kevésbé hosszú időalatt történik meg, a tűzhely típusától és a zsírszűrőtisztogatásának rendszerességétől függően. Mindenképpen cserélni kell a betétet legalább négyhavonként.

NEM lehet kimosni vagy regenerálni

### **Égőcsere**

Az elszívó LED technológiára épülővilágítási rendszerrel van felszerelve.

A LEDEK optimális megvilágítást biztosítanak, a hagyományos lámpák élettartamánál 10-szer nagyobb élettartammal rendelkeznek, mindemellett 90%-os elektromos energia megtakarítást tesznek lehetővé.

Izzócsere esetén forduljon a szakszervízhez.

**Strogo se pridržavajte uputstava koje donosi ovaj priručnik.** Otklanjamo bilo kakvu odgovornost za eventualne nezgode, smetnje ili požar na aparatu koji proizlaze iz nepoštivanja uputstava koje donosi ovaj priručnik. Kuhinjska napa ima funkciju usisavanja dima i pare za vrijeme kuhanja te je namijenjena samo kućanskoj uporabi.

**Vanjski izgled kuhinjske nape se može ponešto razlikovati od onog što smo opisali i ilustrirali u crtežima ovog priručnika, ali u svakom slučaju uputstva za uporabu, održavanje iste i instalacija ostaju nepromijenjena.**

- ! Važno je sačuvati ovaj priručnik da biste ga mogli konzultirati u svakom trenutku. U slučaju da prodate ovaj proizvod, poklonite ili da se preselite uvjerite se da on bude uvijek zajedno sa proizvodom.
- ! Pažljivo pročitajte uputstva: u njima se nalaze važne informacije o instalaciji, uporabi i sigurnosti.
- ! Ne izvršavajte nikakve mehaničke ili električne varijacije (izmjene) na proizvodu ili na cijevima za izbacivanje.
- ! Prije nego što počnete s instalacijom aparata, uvjerite se da nijedna komponenta nije oštećena. U suprotnom slučaju, kontaktirajte trgovca i ne nastavljajte s instalacijom.

**Napomena:** Pojediniosti koje su označene znakom "(\*)" su opcionalni pribor koji se daje samo s određenim modelima ili pojediniosti koje se ne prilažu jer ih trebate kupiti.



### UPOZORENJA

**Pozor!** Ne priključujte aparat na električnu mrežu sve dok niste kompletno završili sa instaliranjem.

Prije bilo kakvog čišćenja ili održavanja, iskopčajte kuhinjsku napu s električne mreže vadeći utikač ili isključujući općikućni prekidač/skopku.

Ovaj aparat nije namijenjen uporabi od strane djece ili osoba koje imaju smanjene fizičke, mentale ili osjetne sposobnosti, i kojima nedostaje iskustva i saznanja osim ako oni nisu nadgledani i obučeni kako upotrebljavati aparat od osoba koje su odgovorne za njihovu sigurnost.

Trebate paziti na djecu da se ne igraju s aparatom.

Na upotrebljavajte nikada kuhinjsku napu bez da je pregrada ili mrežica pravilno montirana!

Ne upotrebljavajte NIKADA napu kao podlogu na koju ćete polagati predmete ukoliko to nije jasno naglašeno.

Prostorija treba imati dovoljno provjetranje, kada je kuhinjska napa upotrebljavana istovremeno s drugim aparatima na plinski pogon ili na drugo gorivo.

Zrak koji se usisava ne smije biti proveden u cijev koja se koristi za izbacivanje dimova koje proizvode ostali aparati na plinski pogon ili drugo gorivo.

Strogo se zabranjuje pripremanje hrane na plamenu ispod nape.

Korištenje nekontroliranog plamena je štetno za filtre te može izazvati požar, u svakom slučaju bi ga trebalo izbjegavati. Držite pod kontrolom postupak pri prženju kako biste izbjegli da se pregrijano ulje zapali.

Neki dijelovi se mogu znatno zagrijati kada se koriste zajedno sa aparatima za kuhanje.


Što se tiče tehničkih mjera kojih se treba pridržavati s obzirom na dimove, strogo se pridržavajte pravilnika nadležnih lokalnih vlasti.

Kuhinjska napa se treba često čistiti i prati i izvana i iznutra (BAREM JEDANPUT NAMJESEC, poštivajte sve ono što je navedeno u uputstvima za održavanje koje donosi ovaj priručnik).

Ne poštivanje propisa o čišćenju nape i zamjene i čišćenja filtra povećava opasnost od požara.

Ne upotrebljavajte niti ostavljajte kuhinjsku napu bez da ste pravilno montirali lampe jer postoji rizik od električnog udara. Otklanjamo bilo kakvu odgovornost radi eventualnih nepravilnosti, štete ili požara koje bi mogao izazvati aparat a koje proizlaze iz nepoštivanja uputstava koje donosi ovaj priručnik.

Ovaj aparat je označen u skladu s Europskim pravilima 2002/96/EC, Waste Electrical and Electronic Equipment (WEEE). Provjerite jeste li odveli na otpad ovaj proizvod u skladu s lokalnim pravilima, korisnik doprinosi sprečavanju i uklanjanju eventualnih negativnih posljedica za okolinu i za zdravlje.

Ovaj simbol  na proizvodu ili na dokumentaciji koja ga prati govori da ovaj proizvod ne smije tretiran kao ostali kuhinjski otpad

nego treba biti odveden na odgovarajući centar gdje se odbacuju električni i elektronski uređaji. Odbacite takve uređaje tako da se pridržavate lokalnih pravila za uklanjanje otpadaka. Za dobijanje daljnjih informacija o odbacivanju ovakvih aparata, obratite se lokalnim uredima, sabirnim mjestima za sakupljanje otpada ili trgovini u kojoj ste kupili ovaj proizvod.

Aparati dizajnirani, testirani i proizvedeni u skladu sa:

1. Sigurnosnim propisima: EN/IEC 60335-1; EN/IEC 60335-2-31, EN/IEC 62233.
2. Propisima o performansama: EN/IEC 61591; ISO 5167-1; ISO 5167-3; ISO 5168; EN/IEC 60704-1; EN/IEC 60704-2-13; ISO 3741; EN 50564; IEC 62301.
3. EMC: EN 55014-1; CISPR 14-1; EN 55014-2; CISPR 14-2; EN/IEC 61000-3-2; EN/IEC 61000-3-3.

Savjeti za ispravnu uporabu u cilju smanjenja utjecaja na okoliš: Uključite kuhinjsku napu na minimalnu brzinu kada počnete s kuhanjem i držite je uključenom još nekoliko minuta nakon završenog kuhanja. Povećajte brzinu samo u slučaju velike količine dima i pare i koristite pojačanu brzinu (e) samo u ekstremnim situacijama. Zamijenite ugljen filter/e samo kada je to potrebno da biste održali učinkovitost smanjenja neugodnih mirisa. Očistite filter(e) za odstranjivanje masnoće kada je to potrebno za održavanje dobre učinkovitosti tog istog filtera. Koristite maksimalni promjer sustava dimovoda navedenog u ovom priručniku da biste optimizirali učinkovitost i smanjili buku.

**UPOZORENJE!** Neinstaliranje vijaka i zakovica u skladu s ovim uputama može stvoriti rizik od električne opasnosti.

## KORIŠTENJE

Kuhinjska napa je napravljena kako bi se koristila u usisnoj verziji s vanjskim pražnjenjem (evakuacijom) ili pomoću filtra koji kruži u unutrašnjosti prostorije.



### Verzija za isisivanje

Para se izbacuje vani uz pomoć cijevi za odsis koja se pričvršćuje za spojnu priрубnicu. Dijametar cijevi za odsis treba biti jednak dijimetru karike za povezivanje. Upozorenje! Cijev za odsis nije priložena s opremom te se treba kupiti.

U vodoravnom dijelu, cijev se treba lagano podizati prema gore (otprilike 10°) na način da izbací što je lakše moguće zrak prema vani.

Ako je kuhinjska napa opremljena karbonskim filterima, oni se trebaju ukloniti.

Povežite kuhinjsku napu i otvore za izbacivanje na zidu s istim promjerom otvora za zrak (spojna priрубnica).

Korištenje cijevi i otvora za izbacivanje na zidu koje imaju manji promjer će smanjiti sposobnost usisavanja te će dovesti do znatnog povećanja buke.

Stoga otklanjamo bilo koju odgovornost u svezi onoga što smo gore naveli.

- ! Koristite cijev koja ima minimalnu neophodnu duljinu.
- ! Koristite cijev koja ima minimalni mogući broj zavoja (maksimalni kut zavoja: 90°).
- ! Izbjegavajte drastične promjene dijametara cijevi.
- ! Koristite cijevi koje imaju što je moguće gladu unutrašnjost.
- ! Materijal od kojeg je napravljena cijev treba biti odobren propisima.



### Filtracijska verzija

Usisavani zrak će se očistiti od masnoća te će se ponovno vratiti u prostoriju. Da biste koristili kuhinjsku napu u ovoj verziji potrebno je instalirati dodatni sustav za filtraciju na osnovi aktivnih karbonskih filtera.

## Postavljanje

Minimalna udaljenost između podloge za posude na uređaju za kuhanje i najnižeg dijela kuhinjske nape ne smije biti niža od 50cm kada se radi o električnim štednjacima, a 65cm u slučaju plinskih štednjaka ili mješovitih.

Ukoliko uputstva za instalaciju aparata na plin govore da je potrebno održavati veću udaljenost, trebate ih se pridržavati.



## Povezivanje s električnom strujom

Napon mreže treba odgovarati naponu koji je naveden na etiketi karakteristika koji se nalazi u unutrašnjosti kuhinjske nape. Ukoliko ima utikač, povežite kuhinjsku napu s jednim utikačem koja je u skladu s propisima na snazi i koji je postavljen na pristupačnom mjestu čak i nakon instalacije. Ako nije opremljen utikačem (direktno povezivanje s mrežom) ili utikač nije postavljen na pristupačnom mjestu, čak i nakon instalacije postavite dvopolan prekidač koji je u skladu s propisima i koji osigurava kompletno iskopčavanje s mreže u uvjetima kategorije br.3 o previsokom naponu, u skladu s pravilima o instalaciji.

Upozorenje! Prije nego što ponovno povežete kružni put kuhinjske nape s napajanjem mreže te provjerite pravilno funkcioniranje, uvijek dobro kontrolirajte je li kabl mreže bio pravilno montiran.

Kuhinjska napa je opremljena specijalnim kabelom za napajanje; u slučaju da dođe do oštećenja kabela možete ga zatražiti i dobiti od Tehničke potpore.

## Montaža

Radi se o proizvodu koji ima ogromnu težinu, pokretanje i instalaciju tog proizvoda trebaju obaviti barem dvije ili više osoba.

Prije nego što počnete s postavljanjem:

- Provjerite da li proizvod koji ste kupili ima dimenzije koje su prikladne zoni koju ste odabrali.
- Uklonite aktivni/e karbonski/e filter/e ukoliko je/su priložen/i (vidi i paragraf koji se odnosi na to). On/i se treba/ju ponovo montirati samo ukoliko koristite kuhinjsku napu u verziji koja filtrira.
- Provjerite da se u unutrašnjosti nape ne nalaze ( radi praktičnijeg prijevoza opremni materijal (na primjer vrećice s vijcima, garancije itd), to eventualno uklonite i sačuvajte.
- Ukoliko je moguće razdvojite i uklonite namještaj koji je ispod ili u blizini zone na koju se postavlja kuhinjska napa kako bi se olakšao pristup stropu ili zidu na koji se postavlja napa. Ukoliko to nije moguće, zaštitite na najbolji mogućinačin namještaj i sve ono što bi moglo biti oštećeno prilikom postavljanja nape. Izaberite ravnu površinu i pokrijte je zaštitnim pokrivačem jer ćete tamo prisloniti kuhinjsku napu i opremni materijal.
- Uvjerite se da se u blizini zone u kojoj ćete instalirati kuhinjsku napu (u zoni u kojoj je moguć pristup i kad ste završili s montiranjem nape) nalazi i utikača za struju i da je moguće povezati se s uređajem za izbacivanje dimova vani (samo Usisna verzija).
- Obavite sve potrebne zidarske radove ( na primjer: instaliranje jednog utikača za struju i/ili otvora za prolazak ispušne cijevi).

Kuhinjska napa ima komadiće za pričvršćivanje koji su prikladni za skoro sve zidove ili stropove. Pored svega toga je potrebno se obratiti kvalificiranom stručnjaku koji će utvrditi prikladnost materijala vrsti zida ili stropa. Zid ili strop treba biti dovoljno čvrst kako bi podnio težinu kuhinjske nape.

## FUNKCIONIRANJE

Upotrebljavajte veću brzinu u slučaju velikog prisustva pare u kuhinji. Savjetujemo da uklju čite usisavanje 5 minuta prije nego što počnete s kuhanjem i da ostavite da djeluje nakon što ste završili s kuhanjem za još otprilike 15 minuti.

### WHI661STX, WHI641ST, WHI961STX, WHI961ST, WHT961STX, WHT941ST

T1	T2	T3	T4	T5	T6*	T7	T8	T8

Za odabir funkcija kuhinjske nape, dovoljno je dotaknuti odgovarajuće tipke.

**T1. Stanje mirovanja** (upravljačka plo ča ugašena – sve funkcije onemogućene) / **ON** (upravljačka plo ča uključena)

Napomena: Nakon otprilike jedne minute nekorištenja kuhinjske nape (usisa rasvjete), ona će se automatski prebaciti u stanje mirovanja.

**T2. Uključivanje/Isključivanje rasvjete (ON/OFF)**

Samo za određene modele (**vidi crtež gore**):

pritisnite više puta dok ne izaberete željenu jačinu rasvjete:

**L1:** slaba rasvjeta

**L2:** srednja rasvjeta

**L3:** jaka rasvjeta

Pritisnite još jednom kako bi ste isključili rasvjetu.

#### **T3. ON/OFF Automatski rad**

Kuhinjska napa automatski postavlja brzinu (snagu) usisa 2 koja će se povećati ukoliko to zahtijevaju uvjeti okoliša otkriveni putem senzora nape.

Ukoliko se uvjeti okoliša ne promijene, nakon 10 minuta (ako je napa već postavljena na brzinu (snagu) usisa 1), napa će se isključiti.

**Napomena:** Kako bi se osiguralo pravilno korištenje ove funkcije, potrebno je prvo pokrenuti "Postavljanje parametara za Automatski rad" (vidi odgovarajuće poglavlje).

**Napomena:** Tijekom automatskog rada, ukoliko korisnik djeluje na druge funkcije za podešavanje brzine, funkcija automatske ventilacije će se isključiti.

#### **T4. Ručni odabir brzine (snage) usisa:**

**L4:** brzina (snaga) usisa 1

**L5:** brzina (snaga) usisa 2

**L6:** brzina (snaga) usisa 3

Pritisnite još jednom kako bi ste isključili kuhinjsku napu (OFF).

**Napomena:** ručni odabir isključuje svaku drugu postavljenu funkciju glede usisa.

#### **T5. ON/OFF brzina (snaga) intenzivnog usisa "POWER BOOST" (vremenski ograničenog)**

**Napomena:** Nakon 5 minuta rada, kuhinjska napa će se vratiti u prijašnje stanje.

#### **T6\*. (Samo za određene modele) Uključivanje/isključivanje (ON/OFF) brzine (snage) intenzivnog usisa "POWER BOOST x 2" (vremenski ograničena)**

**Napomena:** Nakon 5 minuta rada, kuhinjska napa se automatski vraća u prijašnje stanje.

#### **T7. ON/OFF način rada "Izmjena zraka"**

Svakih 50 minuta mirovanja, automatski se uključuje brzina (snaga) usisa 1 na 10 minuta.

#### **T8. Uključivanje/isključivanje (ON/OFF) Odgođenog isključivanja brzine (snage) usisa (oko 30 minuta) Napomena: ova funkcija je dostupna za brzine koje se mogu odabrati putem tipke T4.**

#### **T9. Indikator i reset filtera zasićenja**

Tipka se automatski uključuje i svijetli bez prekida kada je potrebno obaviti održavanje na filteru masti. Tipka se automatski uključuje i trepće kada je potrebno obaviti održavanje na ugljenom filteru.

Nakon obavljanja održavanja, dok je napa isključena a tipka u funkciji, pritisnite tipku na dulje od 3 sekunde kako biste pokazatelj zasićenja filtera vratili u početno stanje, ponovite radnju ako je potrebno (na primjer, ako su oba filtera bila zasićena).

#### **Aktiviranje pokazatelja zasićenja ugljenog filtera**

Pokazatelj zasićenja ugljenog filtera u normalnim je uvjetima isključen. Kako biste ga aktivirali, postupite kako slijedi: Uključite prikazni zaslon (ON) i isključite usis (OFF), pritisnite u isto vrijeme tipke **T8** i **T9** dulje od 3 sekunde, tipka **T9** će se uključiti i svijetliti bez prekida otprilike 5 sekundi kako bi ukazala da aktivacija uspješno izvršena.

Za isključivanje, ponovite radnju, tipka **T9** treperit će otprilike 5 sekundi kako bi ukazala da je dezaktivacija uspješno izvršena.

### **Postavljanje parametara za Automatski rad**

Kako bi se osiguralo pravilan automatski rad, potrebno je izvršiti "Kalibraciju kuhinjske nape" i "Izbor grijaće površine".

#### **Kalibracija kuhinjske nape**

Uključite prikazni zaslon (ON) i isključite usis (OFF), pritisnite u isto vrijeme tipke **T4** i **T5** na 5 sekundi.

Brzina (snaga) usisa 2 će se uključiti a tipka **T4** treperit će kako bi ukazala da je započela kalibracija kuhinjske nape, koja će trajati

otprilike 15 minuta. Napomena: za prekidanje kalibracije, pritisnite tipku **T4** na 5 sekundi; kalibracija će biti poništena, te će se morati ponoviti.

### **Izbor grijače površine**

Uključite prikazni zaslon (ON) i isključite usis (OFF), pritisnite tipku **T3** na 5 sekundi.

#### **Model sa 2 stupnja intenzivne snage T5 (POWER BOOST) i T6 (POWER BOOST x 2)**

Tipke **T3**, **T5** i **T6** će se uključiti.

Pritisnite tipku **T5** u slučaju plinske grijače ploče – tipka će treperiti kako bi ukazala na uspješni odabir. Pritisnite tipku **T6** u slučaju električne grijače ploče - tipka će treperiti kako bi ukazala na uspješni odabir.

#### **Model s 1 stupnjem intenzivne snage T5 (POWER BOOST)**

Tipke **T3**, **T7** i **T8** će se uključiti.

Pritisnite tipku **T7** u slučaju plinske grijače ploče – tipka će treperiti kako bi ukazala na uspješni odabir. Pritisnite tipku **T8** u slučaju električne grijače ploče - tipka će treperiti kako bi ukazala na uspješni odabir.

### **Održavanje**

**Upozorenje!** Prije bilo kakvog postupka čišćenja ili održavanja, iskopčajte kuhinjsku napu od napajanja strujom na način da izvadite utičnicu ili isključite opciprekidačku.

### **Čišćenje**

Kuhinjska napa se treba često čistiti (barem isto tako često kao i filtri za uklanjanje masnoće), u unutrašnjosti i izvana. Koristite ovlaženu krpu s neutralnim deterdžentima u tekućem stanju.

Izbjegavajte uporabu proizvoda koji bi mogli grebati.

#### **NE KORISTITE ALKOHOL!**

**Pozor:** Nepoštivanje pravila o čišćenju aparata i pravila o zamjeni filtera povećava rizik od požara. Stoga se preporučuje poštivanje sugeriranih uputstava.

Otklanjamo bilo kakvu odgovornost za eventualne kvarove na motoru, požar izazvan neodgovarajućim održavanjem ili nepoštivanjem navedenih upozorenja.

### **Filter za masnoću**

Zadržava čestice masnoće koje se stvaraju prilikom kuhanja.

Taj filter morate čistiti jednom mjesečno, upotrijebivši neagresivne deterdžente, bilo ručno ili u stroju za pranje posuđa, u kojem slučaju morate izabrati program pranja s kratkim ciklusom i na niskoj temperaturi.

Ako ga perete u stroju za posuđe, možda ćete opaziti manju promjenu ili gubitak boje, što ni u kom slučaju ne utječe na učinkovitost filtra.

Da biste skinuli filter za uklanjanje masnoće povucite ručicu na opruge koja se otkvači.

### **Karbonski filter (samo za filtracijsku verziju)**

Zadržava neugodne mirise koji se stvaraju prilikom kuhanja.

Zasićenje karbonskog filtra se pojavljuje poslije manje-više produljene uporabe s obzirom na tip kuhinje i na urednost u čišćenju filtera za uklanjanje masnoće. U svakom slučaju je potrebno zamijeniti kartušu barem svaka četiri mjeseca.

NE može se niti oprati, niti obnoviti.

### **Zamjena Lampe**

Kuhinjska napa je opremljena sustavom rasvjete koji se bazira na tehnologiji INDIKACIONIH SVJETALA.

INDIKACIONA SVJETLA garantiraju optimalnu rasvjetu te trajnost 10 puta veću od tradicionalnih lampi a omogućuju i uštedu od 90% električne energije.

U svezi sa zamjenom, obratite se tehničkoj potpori.

## IT - CAPPAASPIRANTE

Attenersi strettamente alle istruzioni riportate in questo manuale. Si declina ogni responsabilità per eventuali inconvenienti, danni o incendi provocati all'apparecchio derivati dall'inosservanza delle istruzioni riportate in questo manuale. La cappa è concepita per l'aspirazione dei fumi e vapori della cottura ed è destinata al solo uso domestico.

La cappa può avere estetiche differenti rispetto a quanto illustrato nei disegni di questo libretto, comunque le istruzioni per l'uso, la manutenzione e l'installazione rimangono le stesse.

! È importante conservare questo manuale per poterlo consultare in ogni momento. In caso di vendita, di cessione o di trasloco, assicurarsi che resti insieme al prodotto.

! Leggere attentamente le istruzioni: ci sono importanti informazioni sull'installazione, sull'uso e sulla sicurezza.

! Non effettuare variazioni elettriche o meccaniche sul prodotto o sulle condotte di scarico.

! Prima di procedere nell'installazione dell'apparecchio verificare che tutti i componenti non siano danneggiati. In caso contrario contattare il rivenditore e non proseguire con l'installazione.

**Nota:** I particolari contrassegnati con il simbolo "(\*)" sono accessori opzionali forniti solo in alcuni modelli o particolari non forniti, da acquistare.



### AVVERTENZE

**Attenzione!** Non collegare l'apparecchio alla rete elettrica finché l'installazione non è totalmente completata.

Prima di qualsiasi operazione di pulizia o manutenzione, disinserire la cappa dalla rete elettrica togliendo la spina o staccando l'interruttore generale dell'abitazione.

Per tutte le operazioni di installazione e manutenzione utilizzare guanti da lavoro

L'apparecchio non è destinato all'utilizzo da parte di bambini o persone con ridotte capacità fisiche sensoriali o mentali e con mancata esperienza e conoscenza a meno che essi non siano sotto la supervisione o istruiti nell'uso dell'apparecchiatura da una persona responsabile per la loro sicurezza.

I bambini devono essere controllati affinché non giochino con l'apparecchio. Mai utilizzare la cappa senza griglia correttamente montata!

La cappa non va MAI utilizzata come piano di appoggio a meno che non sia espressamente indicato.

Il locale deve disporre di sufficiente ventilazione, quando la cappa da cucina viene utilizzata contemporaneamente ad altri apparecchi a combustione di gas o altri combustibili.

L'aria aspirata non deve essere convogliata in un condotto usato per lo scarico dei fumi prodotti da apparecchi a combustione di gas o di altri combustibili.

È severamente vietato fare cibi alla fiamma sotto la cappa.

L'impiego di fiamma libera è dannoso ai filtri e può dar luogo ad incendi, pertanto deve essere evitato in ogni caso. La frittura deve essere fatta sotto controllo onde evitare che l'olio surriscaldato prenda fuoco.

Quando il piano di cottura è in funzione le parti accessibili della cappa possono diventare calde.

Per quanto riguarda le misure tecniche e di sicurezza da adottare per lo scarico dei fumi attenersi strettamente a quanto previsto dai regolamenti delle autorità locali competenti.

La cappa va frequentemente pulita sia internamente che esternamente (ALMENO UNA VOLTA AL MESE, rispettare comunque quanto espressamente indicato nelle istruzioni di manutenzione riportate in questo manuale).

L'inosservanza delle norme di pulizia della cappa e della sostituzione e pulizia dei filtri comporta rischi di incendi. Non utilizzare o lasciare la cappa priva di lampade correttamente montate per possibile rischio di scossa elettrica.

Si declina ogni responsabilità per eventuali inconvenienti, danni o incendi provocati all'apparecchio derivati dall'inosservanza delle istruzioni riportate in questo manuale.

Questo apparecchio è contrassegnato in conformità alla Direttiva Europea 2002/96/EC, Waste Electrical and Electronic Equipment (WEEE). Assicurandosi che questo prodotto sia smaltito in modo corretto, l'utente contribuisce a prevenire le potenziali conseguenze negative per l'ambiente e la salute.



Il simbolo  sul prodotto o sulla documentazione di accompagnamento indica che questo prodotto non deve essere trattato

come rifiuto domestico ma deve essere consegnato presso l'idoneo punto di raccolta per il riciclaggio di apparecchiature elettriche ed elettroniche. Disfarsene seguendo le normative locali per lo smaltimento dei rifiuti. Per ulteriori informazioni sul trattamento, recupero e riciclaggio di questo prodotto, contattare l'idoneo ufficio locale, il servizio di raccolta dei rifiuti domestici o il negozio presso il quale il prodotto è stato acquistato.

Apparecchiatura progettata, testata e realizzata nel rispetto delle norme sulla:

- Sicurezza: CEI/EN 60335-1; CEI/EN 60335-2-31, CEI/EN 62233.
- Prestazione: CEI/EN 61591; ISO 5167-1; ISO 5167-3; ISO 5168; CEI/EN 60704-1; CEI/EN 60704-2-13; ISO 3741; EN 50564; CEI 62301.
- EMC: EN 55014-1; CISPR 14-1; EN 55014-2; CISPR 14-2; CEI/EN 61000-3-2; CEI/EN 61000-3-3.

Suggerimenti per un corretto utilizzo al fine di ridurre l'impatto ambientale: Quando iniziate a cucinare, accendere la cappa alla velocità minima, lasciandola accesa per alcuni minuti anche dopo il termine della cottura. Aumentare la velocità solo in caso di grandi quantità di fumo e vapore, utilizzando la funzione booster solo in casi estremi. Per mantenere ben efficiente il sistema di riduzione degli odori, sostituire, quando è necessario, il/i filtro/i carbone. Per mantenere ben efficiente il filtro del grasso, pulirlo in caso di necessità. Per ottimizzare l'efficienza e minimizzare i rumori, utilizzare il diametro massimo del sistema di canalizzazione indicato in questo manuale.

**ATTENZIONE!** La mancata installazione di viti e dispositivi di fissaggio in conformità di queste istruzioni può comportare rischi di natura elettrica.

## UTILIZZAZIONE

La cappa è realizzata per essere utilizzata in versione aspirante ad evacuazione esterna o filtrante a ricircolo interno.



### Versione aspirante

I vapori vengono evacuati verso l'esterno tramite un tubo di scarico fissato alla flangia di raccordo. Il diametro del tubo di scarico deve essere equivalente al diametro dell'anello di connessione. Attenzione! Il tubo di evacuazione non è fornito e va acquistato. Nella parte orizzontale, il tubo deve avere una leggera inclinazione verso l'alto (10° circa) in modo da poter trasportare l'aria verso l'esterno più facilmente.

Se la cappa è provvista di filtri al carbone, questi devono essere tolti.

Collegare la cappa a tubi e fori di scarico a parete con diametro equivalente all'uscita d'aria (flangia di raccordo).

L'utilizzo di tubi e fori di scarico a parete con diametro inferiore determinerà una diminuzione delle prestazioni di aspirazione ed un drastico aumento della rumorosità.

Si declina perciò ogni responsabilità in merito.

- ! Usare un condotto lungo il minimo indispensabile.
- ! Usare un condotto con minor numero di curve possibile (angolo massimo della curva: 90°).
- ! Evitare cambiamenti drastici di sezione del condotto.
- ! Usare un condotto con l'interno più liscio possibile.
- ! Il materiale del condotto deve essere approvato normativamente.



### Versione filtrante

L'aria aspirata verrà sgrassata e deodorata prima di essere riconvogliata nella stanza. Per utilizzare la cappa in questa versione è necessario installare un sistema di filtraggio aggiuntivo a base di carboni attivi.

## INSTALLAZIONE

La distanza minima fra la superficie di supporto dei recipienti sul dispositivo di cottura e la parte più bassa della cappa da cucina deve essere non inferiore a 50cm in caso di cucine elettriche e di 65cm in caso di cucine a gas o miste.

Se le istruzioni di installazione del dispositivo di cottura a gas specificano una distanza maggiore, bisogna tenerne conto.





## Collegamento Elettrico

La tensione di rete deve corrispondere alla tensione riportata sull'etichetta caratteristiche situata all'interno della cappa. Se provvista di spina allacciare la cappa ad una presa conforme alle norme vigenti posta in zona accessibile anche dopo l'installazione. Se sprovvista di spina (collegamento diretto alla rete) o la spina non è posta in zona accessibile, anche dopo installazione, applicare un interruttore bipolare a norma che assicuri la disconnessione completa della rete nelle condizioni della categoria di sovratensione III, conformemente alle regole di installazione.

**Attenzione!** Prima di ricollegare il circuito della cappa all'alimentazione di rete e di verificarne il corretto funzionamento, controllare sempre che il cavo di rete sia stato montato correttamente.

La cappa è provvista di un cavo alimentazione speciale; in caso di danneggiamento del cavo, richiederlo al servizio assistenza tecnica.

## Montaggio

Prodotto dal peso eccessivo, la movimentazione e installazione della cappa deve essere fatta da almeno due o più persone.

Prima di iniziare con l'installazione:

- Verificare che il prodotto acquistato sia di dimensioni idonee alla zona di installazione prescelta.
- Togliere il/i filtro/i al carbone attivo se forniti (vedi anche paragrafo relativo). Questo/i va/nno rimontato/i solo se si vuole utilizzare la cappa in versione filtrante.
- Verificare che all'interno della cappa non vi sia (per motivi di trasporto) materiale di corredo (ad esempio buste con viti, garanzie etc) , eventualmente va tolto e conservato.
- Se possibile scollegare e rimuovere i mobili sottostanti ed intorno l'area di installazione (parete o soffitto) della cappa in modo da avere una migliore accessibilità. Altrimenti proteggere per quanto possibile i mobili e tutte le parti interessate all'installazione. Scegliere una superficie piatta da coprire con una protezione dove poi appoggiare la cappa e i particolari a corredo.
- Verificare inoltre che in prossimità della zona di installazione della cappa (in zona accessibile anche con cappa montata) sia disponibile una presa elettrica e sia possibile collegarsi ad un dispositivo di scarico fumi verso l'esterno (solo Versione aspirante).
- Eseguire tutti i lavori di muratura necessari (ad es.: installazione di una presa elettrica e/o foro per il passaggio del tubo di scarico).

La cappa è dotata di tasselli di fissaggio adatti alla maggior parte di pareti/soffitti. E' tuttavia necessario interpellare un tecnico qualificato per accertarvi sull'idoneità dei materiali a seconda del tipo di parete/soffitto. La/il parete/soffitto deve essere sufficientemente robusto da sostenere il peso della cappa.

## FUNZIONAMENTO

Usare la velocità maggiore in caso di particolare concentrazione di vapori di cucina. Consigliamo di accendere l'aspirazione 5 minuti prima di iniziare a cucinare e di lasciarla in funzione a cottura terminata per altri 15 minuti circa.

### WHI661STX, WHI641ST, WHI961STX, WHI961ST, WHT961STX, WHT941ST

T1	T2	T3	T4	T5	T6*	T7	T8	T8

Per selezionare le funzioni della cappa è sufficiente sfiorare i comandi.

**T1. Stand by** (pannello di controllo spento - tutte le funzioni disabilitate) / **ON** (pannello di controllo acceso)

**Nota:** Dopo un minuto circa di inutilizzo della cappa (aspirazione e luci) questa ritorna automaticamente in stand/by.

**T2. ON/OFF luci**

Solo su alcuni modelli (**vedi disegno in alto**):

premere più volte fino a selezionare l'intensità di luce desiderata:

**L1:** luce bassa

**L2:** luce media

**L3:** luce alta

premere ancora per spegnere le luci.

### **T3. ON/OFF Funzionamento automatico**

La cappa imposta immediatamente la velocità (potenza) di aspirazione 1 per aumentare se le condizioni ambientali rilevate dal sensore della cappa lo richiedono.

In assenza di variazioni delle condizioni ambientali, dopo 10 minuti (se la cappa è già in velocità (potenza) di aspirazione 1), la cappa si spegne.

**Nota:** per un uso corretto di questo funzione eseguire prima la "Regolazione dei parametri per il Funzionamento automatico" (vedi paragrafo relativo).

**Nota:** Durante il funzionamento automatico se l'utente agisce sulle altre funzioni che regolano la velocità, la funzione auto ventilazione si disattiva.

### **T4. Selezione manuale velocità (potenza) di aspirazione:**

**L4:** velocità (potenza) di aspirazione 1

**L5:** velocità (potenza) di aspirazione 2

**L6:** velocità (potenza) di aspirazione 3

premere ancora per spegnere la cappa (OFF).

**Nota:** la selezione manuale esclude ogni altra funzione impostata relativa all'aspirazione.

### **T5. ON/OFF velocità (potenza) di aspirazione intensiva "POWER BOOST" (temporizzata)**

**Nota:** Dopo 5 minuti di funzionamento la cappa ritorna allo stato precedente.

### **T6\*. (Solo in alcuni modelli) ON/OFF velocità (potenza) di aspirazione intensiva "POWER BOOST x 2" (temporizzata)**

**Nota:** Dopo 5 minuti di funzionamento la cappa ritorna allo stato precedente.

### **T7. ON/OFF modalità di funzionamento "Ricambio aria"**

Ogni 50 minuti di inattività si accende la velocità (potenza) di aspirazione 1 per 10 minuti.

### **T8. ON/OFF Spegnimento ritardato della velocità (potenza) di aspirazione (circa 30 minuti)**

**Nota:** questa funzione è disponibile per le velocità selezionabili con il tasto **T4**.

### **T9. Indicatore e reset saturazione filtri**

Il tasto si accende automaticamente a luce fissa quando è necessario eseguire la manutenzione del filtro grassi.

Il tasto si accende automaticamente a luce lampeggiante quando è necessario eseguire la manutenzione del filtro carbone.

Dopo aver eseguito la manutenzione, a cappa spenta e tasto attivo, premere il tasto per più di 3 secondi per eseguire il reset dell'indicatore di saturazione filtri, ripetere l'operazione se necessario (ad esempio nel caso siano saturati entrambi i filtri).

#### **Attivazione dell'indicatore della saturazione filtro carbone**

L'indicatore della saturazione filtro carbone è normalmente disattivato. Per attivarlo procedere come segue:

A display acceso (ON) e aspirazione spenta (OFF) premere contemporaneamente i tasti **T8** e **T9** per più di 3 secondi, il tasto **T9** si accende a luce fissa per circa 5 secondi ad indicare l'avvenuta attivazione.

Per disattivarlo, ripetere l'operazione, il tasto **T9** lampeggerà per circa 5 secondi ad indicare l'avvenuta disattivazione.

## **Regolazione dei parametri per il Funzionamento automatico**

Ai fini di un uso corretto del funzionamento automatico eseguire la "Calibrazione della cappa" e la "Selezione del piano di cottura".

### **Calibrazione della cappa**

A display acceso (ON) e aspirazione spenta (OFF), premere il tasto **T4** per 5 secondi.

La velocità (potenza) di aspirazione 2 inizia a funzionare ed il tasto **T4** lampeggia ad indicare che ha avuto inizio la calibrazione della cappa che durerà per 15 minuti circa.

**Nota:** per interrompere la calibrazione premere **T4** per 5 secondi; la calibrazione risulterà invalidata, e dovrà quindi essere ripetuta.

## Selezione del piano di cottura

A display acceso (ON) e aspirazione spenta (OFF), premere il tasto **T3** per 5 secondi.

### Modello con 2 livelli di potenza intensiva **T5 (POWER BOOST)** e **T6 (POWER BOOST x 2)**

I tasti **T3**, **T5** e **T6** si accendono.

Premere il tasto **T5** nel caso di piano di cottura a gas - il tasto lampeggia ad indicare l'avvenuta selezione. Premere il tasto **T6** nel caso di piano di cottura elettrico - il tasto lampeggia ad indicare l'avvenuta selezione.

### Modello con 1 livello di potenza intensiva **T5 (POWER BOOST)**

I tasti **T3**, **T7** e **T8** si accendono.

Premere il tasto **T7** per nel caso il piano di cottura a gas - il tasto lampeggia ad indicare l'avvenuta selezione. Premere il tasto **T8** per nel caso il piano di cottura elettrico - il tasto lampeggia ad indicare l'avvenuta selezione.

## MANUTENZIONE

**Attenzione! Prima di qualsiasi operazione di pulizia o manutenzione, disinserire la cappa dalla rete elettrica togliendo la spina o staccando l'interruttore generale dell'abitazione.**

### Pulizia

La cappa va frequentemente pulita (almeno con la stessa frequenza con cui si esegue la manutenzione dei filtri grassi), sia internamente che esternamente. Per la pulizia usare un panno inumidito con detersivi liquidi neutri.

Evitare l'uso di prodotti contenenti abrasivi. **NON UTILIZZARE ALCOOL!**

**Attenzione:** L'inosservanza delle norme di pulizia dell'apparecchio e della sostituzione dei filtri comporta rischi di incendi. Si raccomanda quindi di attenersi alle istruzioni suggerite.

Si declina ogni responsabilità per eventuali danni al motore, incendi provocati da un'impropria manutenzione o dall'inosservanza delle suddette avvertenze.

### Filtro antigrasso

**Trattiene le particelle di grasso derivanti dalla cottura.**

Il filtro antigrasso metallico deve essere pulito una volta al mese con detersivi non aggressivi, manualmente oppure in lavastoviglie a basse temperature ed a ciclo breve.

Con il lavaggio in lavastoviglie il filtro antigrasso metallico può scolorirsi ma le sue caratteristiche di filtraggio non cambiano assolutamente.

Per smontare il filtro grassi tirare la maniglia di sgancio a molla.

### Filtro ai carboni attivi (Solo per Versione Filtrante)

**Trattiene gli odori sgradevoli derivanti dalla cottura.**

La saturazione del filtro carbone si verifica dopo un uso più o meno prolungato a seconda del tipo di cucina e della regolarità della pulizia del filtro grassi. In ogni caso è necessario sostituire la cartuccia al massimo ogni quattro mesi. NON può essere lavato o rigenerato

### Sostituzione Lampade

La cappa è dotata di un sistema di illuminazione basato sulla tecnologia LED.

I LED garantiscono una illuminazione ottimale, una durata fino a 10 volte maggiore delle lampade tradizionali e consentono di risparmiare il 90% di energia elettrica.

Per la sostituzione rivolgersi al servizio assistenza tecnica.

## RO - HOTĂASPIRANTĂ

**Urmăriți de aproape instrucțiunile conținute în acest manual.** Producătorul își declină orice responsabilitate în cazul daunelor sau incendiilor provocate aparatului și derivate dintr-o utilizare incorectă și din nerespectarea instrucțiunilor conținute în acest manual. Hota a fost proiectată pentru aspirarea gazelor arse și vaporilor rezultați în urma coacerii și este destinat doar utilizării casnice.

**Hota poate fi din punct de vedere estetic diferită față de cea ilustrată în desenele acestui manual, totuși instrucțiunile de utilizare, întreținere și instalare rămân aceleași.**

! Este important să păstrați acest manual pentru a-l putea consulta în orice moment. În caz de vânzare, cesiune sau mutare, asigurați-vă că acesta rămâne împreună cu produsul.

! Citiți cu atenție instrucțiunile: există informații importante privind instalarea, utilizarea și siguranța.

! Nu efectuați modificări de tip electric sau mecanic asupra produsului sau asupra țevilor de evacuare.

! Înainte de instalarea aparatului, verificați dacă toate componentele nu sunt deteriorate. În caz contrar, contactați furnizorul și nu continuați cu instalarea.

**Notă:** Părțile contrasemnate de simbolul "(\*)" sunt accesoriile furnizate numai pentru câteva modele sau sunt părți care nu sunt în dotatie și trebuie să fie cumpărate.



### Avertismente

**Atenție:** Nu conectați aparatul la rețeaua electrică până când nu ați terminat de montat toată instalația.

Înainte de orice intervenție de curățenie și întreținere, deconectați hota de la rețeaua electrică, scoțând ștecherul sau deconectând întrerupătorul general al locuinței.

Pentru toate operațiile de instalare și întreținere utilizați măsuri de protecție.

Aparatul nu este destinat pentru a fi folosit de către copii sau persoane cu capacități fizice senzoriale și mentale reduse sau care nu au experiența și cunoștințele adecvate, numai în cazul în care acestea sunt sub supraveghere sau le sunt date instrucțiunile de folosire a aparatului de către o persoană responsabilă cu siguranța acestora.

Copiii trebuie să fie supravegheați pentru a fi siguri că nu joacă cu aparatura. Nu folosiți niciodată hota fără montajul corect al grilei!

Hota nu trebuie folosită NICIODATĂ ca suprafață de așezare numai în cazul în care este indicat în mod specific.

Localul trebuie să fie destul de ventilat, când hota de bucătărie se folosește împreună cu alte aparate cu combustie de gaz sau alți combustibili.

Aerul aspirat nu trebuie să treacă prin-o conductă folosită pentru eliminarea fumului produs de aparatele cu combustie de gaz sau alți combustibili.

Este absolut interzis pregătirea sub hotă a mâncărilor cu flămă.

Folosirea flăcării libere poate dăuna filtrelor și poate crea incendii, așadar trebuie evitată în orice caz. Friptura trebuie făcută sub control pentru a evita ca uleiul prea încălzit să se aprindă.

Părțile componente cu care am putea intra în contact se pot încălzi considerabil în momentul în care se folosesc împreună cu aparatura pentru pregătirea mâncării.

În ceea ce privește măsurile tehnice și de siguranță care trebuie să fie adoptate pentru evacuarea fumurilor este strict necesar să respectați regulamentele în vigoare și să apelați la autoritățile competente locale.

Hota trebuie să fie curățată atât în interior cât și în exterior (CEL PUȚIN ODATĂ PE LUNĂ, respectând în mod expresiv toate indicațiile redată în instrucțiunile de întreținere reproduse în acest manual)

Nerespectarea normelor de curățare a hotei precum și înlocuirea sau necurățarea filtrelor poate crea riscuri de incendii. Nu folosiți niciodată hota fără montajul corect al becurilor pentru a nu crea riscuri de scurtcircuit.

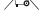
Firma își declină orice responsabilitate pentru eventualele pagube, daune sau incendii provocate de aparatură care provin din nerespectarea instrucțiunilor redată în acest manual.

Acest aparat este marcat în conformitate cu Directiva Europeană 2002/96/CE referitoare la Deșeurile de Echipament Electric și Electronic (WEEE).

Asigurându-vă că acest produs este eliminat în mod corect, contribuiți la prevenirea potențialelor consecințe negative asupra

mediului înconjurător și sănătatea persoanelor, consecințecare ar putea fi provocate de aruncarea necorespunzătoare la gunoi a acestui produs.



Simbolul  de pe produs, sau de pe documentele care însoțesc produsul, indică faptul că acesta nu poate fi aruncat împreună cu deșeurile menajere. Trebuie predat la punctul de colectare corespunzător, pentru reciclarea echipamentului electric și electronic.

Aruncarea la gunoi a aparatului trebuie făcută în conformitate cu normele locale pentru eliminarea deșeurilor.

Pentru informații mai detaliate privind eliminarea, valorificarea și reciclarea acestui produs, vă rugăm să contactați administrația locală, serviciul de eliminare a deșeurilor menajere sau magazinul de unde ați cumpărat produsul.

Aparat proiectat, testat și fabricat în conformitate cu:

1. Siguranță: EN/IEC 60335-1; EN/IEC 60335-2-31, EN/IEC 62233.
2. Randament: EN/IEC 61591; ISO 5167-1; ISO 5167-3; ISO 5168; EN/IEC 60704-1; EN/IEC 60704-2-13; ISO 3741; EN 50564; IEC 62301.
3. EMC: EN 55014-1; CISPR 14-1; EN 55014-2; CISPR 14-2; EN/IEC 61000-3-2; EN/IEC 61000-3-3.

Recomandări pentru o utilizare corespunzătoare în scopul reducerii impactului asupra mediului: Când începeți să gătiți, porniți hota la viteză minimă și lăsați-o să funcționeze timp câteva minute după ce ați terminat de gătit. Măriți viteza în cazul cantităților mari de fum sau vapori și utilizați viteza/ele sporită/e doar în cazuri extreme. Înlocuiți filtrul/ele de carbon, atunci când este necesar, pentru a menține o eficiență optimă de reducere a mirosului. Curățați filtrul/ele de grăsime, atunci când este necesar, pentru a menține o eficiență optimă a filtrului. Utilizați diametrul maxim al sistemului de conducte indicat în acest manual pentru a optimiza eficiența și pentru a reduce la minimum nivelul de zgomot.

**ATENȚIE!** Neinstalarea șuruburilor sau dispozitivelor de fixare în conformitate cu aceste instrucțiuni poate comporta riscuri de natură electrică.

## Utilizarea

Hota a fost realizată pentru a fi utilizată în versiunea aspirantă cu evacuare externă sau în versiunea filtrantă cu riciclu intern.



### Versiunea aspirantă

Vaporii sunt evacuați către exterior prin intermediul unui tub de evacuare fixat la flanșa de racord. Diametrul tubului de evacuare trebuie să fie echivalent cu diametrul inelului de conexiune. Atenție! Tubul de evacuare nu se furnizează în dotare; acesta trebuie achiziționat.

În partea orizontală, tubul trebuie să aibă o înclinare ușoară în sus (circa 10°) pentru a putea transporta mai ușor aerul către exterior.

Dacă hota este prevăzută cu filtre de carbon, acestea trebuie să fie scoase.

Racordată hota la cablurile și orificiile de evacuare prin perete cu diametru egal cu ieșirea aerului (flanșa de racord). Utilizarea tuburilor și orificiilor de evacuare la perete cu diametrul mai mic va determina o diminuare a prestațiilor de aspirare și o creștere drastică a zgomotului.

Se declină în să orice responsabilitate în acest sens.

- 1! Folosiți un tub de lungime minimă indispensabilă.
- 2! Folosiți un tub cu un număr cât mai mic de curbe posibil (unghiul maxim al curbei: 90°).
- 3! Evitați schimbările drastice de secțiune ale tubului.
- 4! Folosiți un tub cu interiorul cât mai neted posibil.
- 5! Materialul tubului trebuie să fie aprobat conform normei.



## Versiunea filtrantă

Aerul aspirat va fi degresat și dezodorizat înainte de a fi reorientat în cameră. Pentru a utiliza hota în această versiune este necesar să instalezi un sistem de filtrare suplimentar pe bază de carbon activ.

### Instalarea

Distanța minimă între suprafața suportului recipientelor pe dispozitivul de gătit și partea de jos a hotei nu trebuie să fie mai mică de 50 cm în cazul mașinilor de gătit electrice, și de 65 cm în cazul mașinilor de gătit cu gaz sau mixte. Dacă instrucțiunile dispozitivului de gătit cu gaz specifică o distanță mai mare, este necesar să ții cont de aceasta.



### Conexarea Electrică

Tensiunea din rețea trebuie să corespundă cu tensiunea la care se referă eticheta situată în interiorul hotei. Dacă este prevăzută cu ștecher de conexiune la o priză conform cu normele în vigoare, poziționată într-o zonă accesibilă după instalare. Dacă nu este prevăzută cu ștecher (conexiunea este direct la rețea) sau ștecherul nu este poziționat într-o zonă accesibilă după instalare, aplicați un întrerupător bipolar la normă care să asigure deconectarea completă de la rețea în condițiile categoriei de suprațensiune III, conform regulilor de instalare.

Atenție! Înainte de a efectua conectarea circuitului hotei la alimentația din rețea și de a verifica funcționarea corectă, controlează totdeauna dacă cablul a fost montat în mod corect.

Hota este prevăzută cu un cablu de alimentare special; în cazul deteriorării acestuia, apelează la serviciul de asistență tehnică.

### Montarea

Produs cu greutate mare, deplasarea și instalarea hotei trebuie efectuate de cel puțin două sau mai multe persoane. Informații preliminare pentru instalare:

- Verifică dacă produsul cumpărat are dimensiuni și volum adecvat zonei de instalare alese.
- Scoateți filtrul/filtrele de carbon activ dacă sunt furnizate (a se vedea paragraful relativ). Acesta/aceste vor fi instalate numai dacă se utilizează hota în versiunea filtrantă.
- Verifică în interiorul hotei să nu fie (pentru motive de transport) materiale de echipament (de exemplu: pungi cu șuruburi, garanția etc.), eventual săle scoate și săle păstrați.
- Dacă este posibil dezlegați și mișcați mobila în jurul ariei de instalare a hotei, în modul de a avea o cât mai bună accesibilitate la peretele unde va fi instalată hota. Dacă nu se poate, protejați pe cât posibil mobila și toate părțile care interesează instalarea. Alegeți suprafața plană și acoperiți-o cu o protecție unde apoi veți pune hota și echipamentul special.
- Verifică în apropierea zonei de instalare a hotei (în zona accesibilă chiar cu hota montată) să fie o priză electrică și dacă este posibil să fie conectată la un dispozitiv de evacuare a fumului spre extern (numai pentru versiunea aspirantă).
- Executați toate lucrările necesare de zidărit (de exemplu instalarea unei prize electrice și/sau orificiilor pentru trecerea tubului de evacuare).

Hota este dotată cu dibluri de fixare adecvate pentru toți pereții/tavane. Este necesar, totuși, să cereți parerea unui tehnician specialist pentru a se asigura de calitatea materialelor și felul de perete sau tavan. Peretele/tavanul trebuie să fie destul de gros pentru a putea susține greutatea hotei.

### Funcționarea

Se recomandă viteza crescută, în special în cazul unei concentrații mari de vapori în bucătărie. Vă sfătuim să lăsați să aspire 5 minute înainte de a demara procesul de coacere și de a lăsa în funcțiune, la închiderea procesului de coacere, pentru încă 15 minute (aproximativ).

## WHI661STX, WHI641ST, WHI961STX, WHI961ST, WHT961STX, WHT941ST



Pentru a selecta funcțiile hotei este suficient să atingeți comenzile.

### T1. **Stand by** (panou de control oprit – toate funcțiile dezabilitate) / **ON** (panou de control în funcțiune)

**Notă:** După circa un minut de inutilizare (aspirație și iluminat), hota revine în mod automat în stand/by.

### T2. **ON/OFF iluminat**

Numai pentru anumite modele (**vezi desenul de deasupra**):

apăsăți în mod repetat până când selecționați intensitatea luminoasă dorită:

**L1:** lumină redusă

**L2:** lumină medie

**L3:** lumină intensă

Apasați din nou pentru a stinge luminile.

### T3. **ON/OFF Funcționare automată**

Hota reglează automat viteza (puterea) de aspirație 1 pentru creștere dacă condițiile de mediu detectate de senzorul hotei solicită acest lucru.

În absența variațiilor condițiilor ambientale, după 10 minute (dacă hota este deja în viteza (puterea) de aspirație 1), hota se stinge.

**Notă:** pentru utilizarea corectă a acestei funcții, executați mai întâi "Reglajul parametrilor pentru Funcționare automată" (vezi paragraful aferent).

**Notă:** Pe durata funcționării automate, dacă utilizatorul acționează asupra altor funcții care reglează viteza, funcția auto ventilație se dezactivează.

### T4. **Selecționare manuală viteză (puterea) de aspirație:**

**L4:** viteza (puterea) de aspirație 1

**L5:** viteza (puterea) de aspirație 2

**L6:** viteza (puterea) de aspirație 3

Apasați din nou pentru a stinge hota (OFF).

**Notă:** selecționarea manuală exclude orice altă funcție reglată referitoare la aspirație.

### T5. **ON/OFF viteza (puterea) de aspirație intensivă "POWER BOOST" (temporizată)**

**Notă:** După 5 minute de funcționare, hota revine la starea precedentă.

### T6\*. **(Doar anumite modele) ON/OFF viteza (puterea) de aspirație intensivă "POWER BOOST x 2" (temporizată)**

**Notă:** După 5 minute de funcționare, hota revine la starea precedentă.

### T7. **ON/OFF mod de funcționare "Improspătare aer"**

La fiecare 50 minute de inactivitate, se pornește viteza (puterea) de aspirație 1 pentru 10 minute.

### T8. **ON/OFF Oprește întârziată vitezei (puterii) de aspirație (circa 30 minute)**

**Notă:** această funcție este disponibilă pentru vitezele selecționabile cu tasta T4.

### T9. **Indicator și resetare saturație filtre**

Tasta se aprinde automat cu lumină constantă când este necesară efectuarea întreținerii filtrului anti-grăsimi. Tasta se aprinde automat cu lumină clipitoare când este necesară efectuarea întreținerii filtrului cu carbon.

După efectuarea întreținerii, cu hota oprită și tasta activă, țineți apăsată tasta pentru mai mult de 3 secunde pentru a efectua resetarea indicatorului de saturație filtre; repetați operațiunea dacă este necesar (de exemplu în cazul în care sunt saturate ambele filtre).

#### **Activarea indicatorului de saturație filtru cu carbon**

Indicatorul de saturație filtru cu carbon este în mod normal dezactivat. Pentru a-l activa, procedați în modul următor:

Cu display-ul în funcțiune (ON) și aspirația oprită (OFF), apăsați simultan tastele **T8** și **T9** pentru mai mult de 3 secunde; tasta **T9** se aprinde cu lumină constantă pentru circa 5 secunde, pentru a indica activarea.

Pentru a-l dezactiva, repetați operațiunea; tasta **T9** va clipi pentru circa 5 secunde pentru a indica dezactivarea.

## Reglarea parametrilor pentru Funcționare automată

Pentru utilizarea corectă a funcționării automate, efectuați "Calibrarea hotei" și "Selecționarea plitei de gătit".

### Calibrarea hotei

Cu display-ul în funcțiune (ON) și aspirația oprită (OFF), apăsați tasta **T4** pentru 5 secunde.

Viteza (puterea) de aspirație 2 începe să funcționeze și tasta **T4** clipește pentru a indica faptul că a început calibrarea hotei care va dura circa 15 minute.

**Notă:** pentru a întrerupe calibrarea, apăsați **T4** pentru 5 secunde; calibrarea va fi invalidată și va trebui deci să fie repetată.

### Selectarea plitei de gătit

Cu display-ul în funcțiune (ON) și aspirația oprită (OFF), apăsați tasta **T3** pentru 5 secunde.

### Modelul cu 2 nivele de putere intensivă **T5 (POWER BOOST)** și **T6 (POWER BOOST x 2)**

Tastele **T3**, **T5** și **T6** se aprind.

Apăsați tasta **T5** în cazul plitei de gătit cu gaz – tasta clipește pentru a indica efectuarea selecției. Apăsați tasta **T6** în cazul plitei de gătit electrice - tasta clipește pentru a indica efectuarea selecției.

### Modelul cu 1 nivel de putere intensivă **T5 (POWER BOOST)**

Tastele **T3**, **T7** și **T8** se aprind.

Apăsați tasta **T7** în cazul plitei de gătit cu gaz – tasta clipește pentru a indica efectuarea selecției. Apăsați tasta **T8** în cazul plitei de gătit electrice - tasta clipește pentru a indica efectuarea selecției.

## Întreținerea

**Atenție!** Înainte de orice intervenție de curățenie și întreținere, deconectați hota de la rețeaua electrică, scoțând ștecherul sau deconectând întrerupătorul general al locuinței.

## Curățarea

Hota trebuie curățată frecvent (cel puțin cu aceeași frecvență cu care se curățază filtrele anti-grăsime), fie în interior cât și în exterior. Pentru curățare folosiți un material îmbibat cu detergenți lichizi neutri. Evitați folosirea produselor pe bază de abrazivi NU

### **FOLOȘIȚI ALCOOL!**

**Atenție:** Nerespectarea normelor de curățare a hotei și de înlocuire a filtrelor conduce la potențiale riscuri de incendii. Vă sfătuim să respectați îndeaproape instrucțiunile prezente în acest manual.

Producătorul își deține orice responsabilitate în cazul daunelor la motor sau incendiilor provocate aparatului și derivate dintr-o utilizare sau întreținere incorectă precum și din nerespectarea instrucțiunilor conținute în acest manual.

## Filtru anti-grăsime

Captează particulele de grăsime care apar în timpul pregătirii alimentelor.

Trebuie curățat o dată pe lună cu detergenți abrazivi, manual sau utilizând mașina de spălat vase, la temperaturi scăzute și folosind un program scurt.

Filtrul metalic anti-grăsime, spălat cu mașina de spălat vase se poate decolora, dar nu și va pierde caracteristicile de filtrare. Pentru demontarea filtrului trageți mânerul de prindere cu resort.

## Filtru de cărbune (numai pentru versiunea filtrantă)

Reține mirosurile neplăcute, derivate în urma procesului de coacere.

Saturația filtrului de cărbune depinde de folosirea mai mult sau mai puțin prelungită a tipului de mașina de gătit precum și de curățarea regulată a filtrului pentru grăsime. În orice caz, cartușul filtrului trebuie înlocuit cel mult la fiecare patru luni.

NU-l spălați sau refolosiți

## Înlocuirea becurilor

Hota este dotată cu un sistem de iluminare bazat pe tehnologia LED.

LEDURILE garantează o iluminare optimă, o durată de până la 10 ori mai mare față de becurile tradiționale și permit economisirea a 90% de energie electrică.

Pentru înlocuire adresați-vă serviciului de asistență tehnică.



### Изделие хозяйственно-бытового назначения.

Производитель снимает с себя всякую ответственность за неполадки, ущерб или пожар, которые возникли при использовании прибора вследствие несоблюдения инструкций, приведенных в данном руководстве. Вытяжка служит для всасывания дыма и пара при приготовлении пищи и предназначена только для бытового использования. **Вытяжка может иметь дизайн, отличающийся от вытяжки показанной на рисунках данного руководства, тем не менее, руководство по эксплуатации, техническое обслуживание и установка остаются те же.**

! Очень важно сохранить эту инструкцию, чтобы можно было обратиться к ней в любой момент. Если изделие продается, передается или переносится обеспечить, чтобы инструкция всегда была с ним.

! Внимательно прочитайте инструкцию. В ней находится важная информация по установке, эксплуатации и безопасности.

! Запрещается выполнять изменения в электрической или механической части изделия или в трубах рассеивания.

! Перед началом установки оборудования убедитесь в целостности и сохранности всех компонентов. При наличии любых повреждений обратитесь к поставщику и ни в коем случае не начинайте монтаж оборудования.

**Примечание:** принадлежности, обозначенные знаком “(\*)” поставляются по спецзапросу только к некоторым моделям или в случае необходимости в закупке деталей, которые не были поставлены.



### ВНИМАНИЕ!

**Внимание!** Не подключайте прибор к электрической сети, пока операции по установке полностью не завершены. Прежде чем приступить к операциям по очистке или уходу отсоедините вытяжку от сети, вынув вилку или выключив общий выключатель электрической сети.

Для выполнения всех операций по установке и уходу используйте рабочие перчатки.

Дети или взрослые не должны пользоваться вытяжкой, если по своему физическому или психическому состоянию не в состоянии этого делать, или если они не обладают знаниями и опытом необходимыми для правильного и безопасного управления прибором.

Не оставляйте детей без присмотра, чтобы они не играли с прибором.

Не используйте вытяжку, если решетка неправильно установлена!

Категорически запрещается использовать вытяжку в качестве опорной плоскости, если это специально не оговорено. Обеспечьте надлежащий воздухообмен помещения, когда Вы используете вытяжку в кухне одновременно с другими приборами на газу или на другом горючем.

Вытягиваемый воздух не должен выбрасываться наружу через воздуховод, используемый для выброса дымов от приборов с газовым сжиганием или с питанием другими горючими.

Категорически запрещается готовить блюда над пламенем, поскольку свободное пламя может повредить фильтры и стать причиной пожара; поэтому, воздерживайтесь от этого в любом случае.

Жаренье в большом количестве масла должно производиться под постоянным контролем, имея в виду, что перегретое масло может воспламениться.

При использовании вместе с прочими аппаратами для варки, открытые части прибора могут сильно нагреваться.

Что касается технических мер и условий по технике безопасности при отводе дымов, то придерживайтесь строго правил, предусмотренных регламентом местных компетентных властей.

Производите периодическую очистку вытяжки как внутри, так и снаружи (ПО КРАЙНЕЙ МЕРЕ, РАЗ В МЕСЯЦ с соблюдением условий, которые специально предусмотрены в инструкциях по обслуживанию данного прибора).

Несоблюдение инструкций по чистке вытяжки и по замене и чистке фильтров может стать причиной пожара.

Не используйте и не оставляйте вытяжку без правильно установленных лампочек в связи с возможным риском удара электрическим током.


Мы снимаем с себя всякую ответственность за неполадки, ущерб или сгорание прибора вследствие несоблюдения инструкций, приведенных в данном руководстве.

Данное изделие промаркировано в соответствии с Европейской директивой 2002/96/ЕС по утилизации

электрического и электронного оборудования (WEEE).

Обеспечив правильную утилизацию данного изделия, Вы сможете предотвратить потенциальные негативные последствия для окружающей среды и здоровья человека.



Символ  на самом изделии или сопроводительной документации указывает, что при утилизации данного изделия с ним нельзя обращаться как с обычными бытовыми отходами. Вместо этого, его следует сдавать в соответствующий пункт приемки электрического и электронного оборудования для последующей утилизации.

Сдача на слом должна производиться в соответствии с местными правилами по утилизации отходов.

За более подробной информацией о правилах обращения с такими изделиями, их утилизации и переработки обращайтесь в местные органы власти, в службу по утилизации отходов или в магазин, в котором Вы приобрели данное изделие.

Устройство разработано, испытано и изготовлено в соответствии с:

- Безопасность: EN/IEC 60335-1; EN/IEC 60335-2-31, EN/IEC 62233.
- Эксплуатационные характеристики: EN/IEC 61591; ISO 5167-1; ISO 5167-3; ISO 5168; EN/IEC 60704-1; EN/IEC 60704-2-13; ISO 3741; EN 50564; IEC 62301.
- ЭМС: EN 55014-1; CISPR 14-1; EN 55014-2; CISPR 14-2; EN/IEC 61000-3-2; EN/IEC 61000-3-3.

Предложения для правильного использования в целях снижения воздействия на окружающую среду: Включите вытяжной колпак на минимальной скорости, когда начинаете готовить, и оставьте его работать в течение нескольких минут после того, как закончите готовить. Увеличивайте скорость только в случае большого количества дыма и пара, и прибегайте к использованию повышенных скоростей только в экстремальных ситуациях. Заменяйте угольный фильтр(ы), когда это необходимо, для поддержания хорошей эффективности уменьшения запахов. Очищайте жировой/ые фильтр(ы), когда это необходимо, для поддержания хорошей эффективности жирового фильтра. Используйте максимальный диаметр системы воздуховодов, указанный в данном руководстве, для оптимизации эффективности и минимизации уровня шума.

**ВНИМАНИЕ!** Отсутствие установки винтов и устройств крепления в соответствии с этими инструкциями может повлечь за собой риски электрического характера.

## ПОЛЬЗОВАНИЕ

Вытяжка сконструирована для работы в режиме отвода воздуха наружу или рециркуляции воздуха.



### Исполнение с отводом воздуха

В этом режиме испарения выводятся наружу через гибкий трубопровод, подсоединенный к соединительному кольцу. Диаметр выводной трубы должен соответствовать диаметру соединительного кольца.

Внимание! Выводная труба не входит в комплект и должна быть приобретена отдельно.

В горизонтальной части труба должна быть немного приподнята кверху (примерно на 10°) так, чтобы воздух быстрее мог выходить наружу. Если вытяжка снабжена угольным фильтром, то уберите его

Подсоединить вытяжку к выводной трубе с диаметром соответствующим отверстию выхода воздуха (соединительный фланец).

Установка труб с меньшим диаметром даст уменьшение мощности всасывания воздуха и резкое увеличение уровня шума.

Производитель снимает с себя всякую ответственность по отношению выше сказанного.

- ! Использовать трубу с минимально необходимой длиной.
- ! Использовать трубу с наименьшим количеством изгибов (максимальный угол изгиба: 90°).
- ! Избегать резкого изменения сечения трубы.
- ! Внутренняя поверхность используемой трубы должна быть как можно более гладкой.
- ! Материал трубы должен соответствовать нормативам.



## Исполнение в режиме рециркуляции

Должен использоваться угольный фильтр, имеющийся в наличии у вашего дистрибутора. Втягиваемый воздух обезжиривается и дезодорируется перед тем, как вновь возвращается в помещение через верхнюю решетку.

### УСТАНОВКА

Расстояние нижней грани вытяжки над опорной плоскостью под сосуды на кухонной плите должно быть не менее 50 см – для электрических плит, и не менее 65 см для газовых или комбинированных плит.

Если в инструкциях по установке газовой плиты оговорено большее расстояние, то учтите это.



### Электрическое соединение

Напряжение сети должно соответствовать напряжению, указанному на табличке технических данных, которая размещена внутри прибора. Если вытяжка снабжена вилкой, подключите вытяжку к штепсельному разъему. Он должен отвечать действующим правилам и быть расположен в легкодоступном месте. Включить в розетку можно после установки. Если же вытяжка не снабжена вилкой (прямое подключения к сети), или штепсельный разъем не расположен в доступном месте, также и после установки, то используйте надлежащий двухполюсный выключатель, обеспечивающий полное размыкание сети при возникновении условий перенапряжения 3-ей категории, в соответствии с инструкциями по установке.

**Внимание!** прежде чем подключить к сети питания электрическую систему вытяжки и проверить исправное функционирование ее убедитесь в том, что кабель питания правильно смонтирован.

Вытяжка имеет специальный кабель электропитания; в случае повреждения кабеля, необходимо заказать его в службе по техническому обслуживанию.

### Установка

**Устройство отличается большим весом; для его переноски и установки требуется не менее двух человек.**

#### Перед началом монтажа:

- Проверьте, чтобы размеры приобретенного Вами изделия подходили к выбранному месту его монтажа.
- Снимите угольный фильтр/ы, если они имеются (смотрите также соответствующий раздел). Фильтр/ы устанавливаются обратно, только если Вы хотите использовать вытяжку в режиме рециркуляции.
- Проверьте, чтобы внутри вытяжки не оставалось предметов, помещенных туда на время ее транспортировки) (например, пакетиков с шурупами, листов гарантии и т.д.), если они имеются, выньте их и сохраните.
- По возможности отсоедините и отодвиньте кухонные элементы, расположенные под вытяжкой и рядом с зоной ее монтажа, для обеспечения более свободного доступа к потолку/стенам, к которым будет крепиться вытяжка. Если это невозможно, как можно тщательнее предохраните мебель и прочие предметы на время монтажа. Выберите ровную поверхность, покройте ее защитным покрытием и разложите на ней вытяжку и крепежные детали.
- Проверьте также, чтобы рядом с зоной монтажа вытяжки (в зоне, доступной также после монтажа вытяжки) имелась сетевая розетка и отверстие для дымохода, отводящее дым на улицу (только в режиме отвода).
- Выполните все необходимые работы (например: установка сетевой розетки и/или продельвание отверстия для дымоходной трубы).

Вытяжка снабжена дюбелями для крепления ее в большинстве стен/потолков. Однако, необходимо обратиться к квалифицированному технику и убедиться в том, что материалы пригодны для данного типа стены/ потолка. Стена/потолок должны обладать достаточной прочностью с учетом массы прибора.

## ФУНКЦИОНИРОВАНИЕ

Пользуйтесь интенсивным режимом работы вытяжки в случае особо высокой концентрации кухонных испарений. Мы рекомендуем включить вытяжку за 5 минут до начала процесса приготовления пищи и оставить ее включенной в течение 15 минут по окончании процесса.

### WHI661STX, WHI641ST, WHI961STX, WHI961ST, WHT961STX, WHT941ST

T1	T2	T3	T4	T5	T6*	T7	T8	T8
	 —————		 —————					

Чтобы выбрать функции вытяжки достаточно слегка коснуться команд.

- T1. Stand by** (панель контроля выключена – все функции отключены)/ **ВКЛ** (панель контроля включена)  
**Примечание:** После одной минуты не использования вытяжки (всасывание и свет) она автоматически возвратится в stand/by.
- T2. ВКЛ/ВЫКЛ свет**  
Только на некоторых моделях (**смотри рисунок вверху**):  
Нажимать много раз до выбора желаемой интенсивности света:  
**L1** : приглушенный свет  
**L2** : средний свет  
**L3** : яркий свет  
Нажать ещё раз, чтобы выключить свет.
- T3. ВКЛ/ВЫКЛ Автоматического режима работы**  
Вытяжка автоматически выбирает скорость (мощность) всасывания 1, если сенсоры вытяжки в среде засекут условия, при которых необходимо увеличение.  
Если отсутствуют изменения условий среды, после 10 минут (если вытяжка уже выставлена на скорость (мощность) всасывания 1), вытяжка выключится.  
**Примечание:** для правильного использования этой функции сначала выполнить "Установка параметров Автоматического режима работы" (смотри соответствующий параграф).  
**Примечание:** Если во время автоматического режима работы пользователь оказывает действие на другие функции, которые регулируют скорость, функция автоматического режима работы отключается.
- T4. Ручной выбор скорости (мощности) всасывания:**  
**L4** : скорость (мощность) всасывания 1  
**L5** : скорость (мощность) всасывания 2  
**L6** : скорость (мощность) всасывания 3  
Нажать ещё раз чтобы выключить вытяжку (ВЫКЛ).  
**Примечание:** ручной выбор выключает какую либо другую выставленную функцию, относящуюся к всасыванию.
- T5. ВКЛ/ВЫКЛ скорости (мощности) интенсивного всасывания "POWER BOOST"** (запрограммированное по времени)  
**Примечание:** После 5 минут работы вытяжка возвратится в предыдущее состояние.
- T6\*. (Только в некоторых моделях) ВКЛ/ВЫКЛ скорость (мощность) интенсивного всасывания "POWER BOOST x 2"** (запрограммированное по времени)  
**Примечание:** После 5 минут работы вытяжка возвратится в предыдущее состояние.
- T7. ВКЛ/ВЫКЛ способ работы "Воздухообмен".**  
Каждые 50 минут работы включится скорость (мощность) всасывания 1 на 10 минут.
- T8. ВКЛ/ВЫКЛ Замедленное выключение скорости (мощности) всасывания (приблизительно 30 минут)**  
**Примечание:** эта функция имеется в наличии для скоростей, которые выбираются кнопкой T4.
- T9. Индикатор и перезапуск насыщения фильтров**  
Кнопка включится автоматически фиксированным светом, когда необходимо провести обслуживание

фильтра жиров.

Кнопка включится автоматически мигающим светом, когда необходимо провести обслуживание фильтра активированного угля.

После проведения обслуживания, с выключенной вытяжкой и активной кнопкой, нажать кнопку больше чем на 3 секунды чтобы произвести перезапуск индикатора насыщения фильтров, повторить операцию если необходимо (например если насыщены оба фильтра).

#### **Активация индикатора насыщения фильтра активированного угля**

Индикатор насыщения фильтра активированного угля нормально деактивирован. Чтобы включить его следовать примеру:

С включённым дисплеем (ВКЛ) и выключенным всасыванием (ВЫКЛ) нажать одновременно кнопки **T8** и **T9** на больше чем 3 секунды, кнопка T9 включится фиксированным светом приблизительно на 5 секунд, чтобы показать произошедшую активацию.

Чтобы деактивировать, повторить операцию, кнопка **T9** будет мигать приблизительно 5 секунд, чтобы показать произошедшую деактивацию.

### **Регулировка параметров для Автоматического режима работы**

С целью правильной автоматической работы выполнить "Калибровку вытяжки" и "Выбор газовой варочной поверхности".

#### **Калибровка вытяжки**

С включенным дисплеем (ВКЛ) и выключенным всасыванием (ВЫКЛ), нажать кнопку **T4** на 5 секунд.

Скорость (мощность) всасывания 2 начнёт работать и кнопка **T4** мигает, чтобы указать, что началась калибровка вытяжки, которая будет происходить приблизительно 15 минут.

**Примечание:** чтобы прервать калибровку нажать **T4** на 5 секунд; калибровка будет признана недействительной и должна будет повториться.

#### **Выбор газовой варочной поверхности**

С включенным дисплеем (ВКЛ) и выключенным всасыванием (ВЫКЛ), нажать кнопку **T3** на 5 секунд.

#### **Модель с 2 уровнями интенсивной мощности T5 (POWER BOOST) и T6 (POWER BOOST x 2)**

Кнопки **T3**, **T5** и **T6** включатся.

Нажать кнопку **T5** в случаи газовой варочной поверхности – кнопка мигает, чтобы показать произошедший выбор.

Нажать кнопку **T6** в случаи электрической варочной поверхности – кнопка мигает, чтобы показать произошедший выбор.

#### **Модель с 1 уровнем интенсивной мощности T5 (POWER BOOST)**

Кнопки **T3**, **T7** и **T8** включатся.

Нажать кнопку **T7** в случаи газовой варочной поверхности – кнопка мигает, чтобы показать произошедший выбор.

Нажать кнопку **T8** в случаи электрической варочной поверхности – кнопка мигает, чтобы показать произошедший выбор.

## **УХОД**

**Внимание! Прежде чем выполнить любую операцию по чистке или техническому обслуживанию, отсоедините вытяжку от электросети, отсоединяя вилку или главный выключатель помещения.**

## **Очистка**

Вытяжка должна подвергаться частой очистке как внутри, так и снаружи (по крайней мере с той же периодичностью, что и уход за фильтрами для задержки жира). Для чистки используйте специальную тряпку, смоченную нейтральным жидким моющим средством. Не применяйте средства, содержащие абразивные материалы.

### **НЕ ПРИМЕНЯЙТЕ СПИРТ!**

**Внимание:** Не соблюдение правил чистки прибора и замены фильтров может привести к риску возникновения пожара. Поэтому рекомендуем соблюдать приведенные инструкции.

Снимается любая ответственность в связи с возможными повреждениями двигателя и с пожарами, возникшими вследствие неправильного ремонта или несоблюдения вышеописанных предупреждений.

## **Фильтры задержки жира**

### **Удерживает частицы жира, исходящие от плиты.**

Фильтр следует чистить ежемесячно неагрессивными моющими средствами, вручную или в посудомоечной машине при низкой температуре и экономичном цикле мытья.

При мытье в посудомоечной машине может иметь место некоторое обесцвечивание фильтра задержки жира, но его фильтрующая характеристика остается абсолютно неизменной.

Для снятия фильтра задержки жира потяните к себе подпружиненную ручку отцепления фильтра.

## **Угольный фильтр (только в режиме рециркуляции)**

### **Удаляет неприятные запахи кухни.**

Насыщение угольного фильтра происходит по истечении более или менее длительного периода эксплуатации, предопределяемого типом кухни и периодичностью очистки фильтров задержки жира. В любом случае, заменяйте картридж по крайней мере через каждые 4 месяца.

Угольный фильтр НЕ подлежит мойке или регенерации.

## **Замена ламп**

Вытяжка оборудована освещением на светодиодах LED.

Светодиоды обеспечивают оптимальное освещение, их срок службы в 10 раз превышает срок работы традиционных лампочек, и позволяют экономить 90% электроэнергии.

Для замены светодиодов обращаться в службу технического обслуживания.

### **ИНФОРМАЦИЯ О СРОКЕ СЛУЖБЫ**

Срок службы, установленный на данное изделие в соответствии с постановлением Правительства РФ № 720 от 16.06.97 - 10 лет со дня изготовления.



Официальный импортер и уполномоченное лицо в  
РФ: ООО "Гореньё БТ",  
119180, Москва, Якиманская наб., 4, стр. 1,  
Тел. 8-800-700-05-15

Произведено в Польше

## SK - ODSÁVAČPARY

**Prísne dodržiavajte pokyny uvedené v tomto návode.** Výrobca odmieta prevziať akúkoľvek zodpovednosť za prípadné poškodenie, poruchy, škody, alebo vznietenie odsávača, ktoré bolo spôsobené nedodržaním týchto predpisov. Odsávač pár slúži výhradne na odsávanie pár, dymu, pachov vzniknutých pri varení a je určený výhradne pre domáce použitie.

**Odsávačpary môže mať odlišný vzhľad ako je zobrazené na nákrese v tejto knižke, ale napriek tomu návody pre použitie, údržba a montáž ostávajú rovnaké.**

! Je dôležité uchovať si túto príručku, aby ste ju mohli použiť akokoľvek okamihu. V prípade predaja, postúpení či sťahovaní zaistíte, aby zostala spoločne s odsávačom pár.

! Pozorne si prečítajte návod: obsahuje dôležité informácie o inštalácii, použití a bezpečnosti.

! Nemeňte elektrickú či mechanickú úpravu výrobku alebo potrubie na odvod pár.

! Skôr než budete pokračovať s inštaláciou zariadenia, overte, všetky súčiastky činie sú poškodené. V opačnom prípade obráťte sa na predajcu a nepokračujte v inštalácii.

**Poznámka:** detaily označené symbolom “(\*)” sú voliteľné doplnky, dodávané iba pre niektoré modely alebo súčiastky, ktoré je nutné dokúpiť.



### UPOZORNENIA

**Upozornenie!** Nenapájajte spotrebič na elektrickú sieť, pokiaľ nebola úplne dokončená jeho inštalácia.

Skôr ako sa začne akákoľvek činnosť čistenia alebo údržby, odpojte odsávačpary od elektrickej siete odpojením zástrčky alebo vypnutím hlavného vypínača bytu.

Pri všetkých inštaláčnych a údržbárskych prácach používajte ochranné pracovné rukavice.

Spotrebič je určený na používanie osobami (vrátane detí) so zníženými fyzickými, zmyslovými alebo mentálnymi schopnosťami alebo s nedostatkom skúseností a vedomostí, pokiaľ im osoba zodpovedná za ich bezpečnosť neposkytuje dohľad alebo ich nepoučila o používaní spotrebiča.

Deti musia byť pod dohľadom, aby sa nehrali so zariadením. Nepoužívať NIKDY odsávačpary bez správne namontovanej mriežky!

Odsávačpary sa nesmie NIKDY používať ako oporná plocha, iba za predpokladu, že je to výslovne určené.

V prípade, že sa kuchynský odsávač používa súčasne s inými zariadeniami, ktoré sú v styku s plynom alebo inými horľavinami, miestnosť musí byť zariadená vhodnou ventiláciou.

Odsávací vzduch nesmie byť odvádzaný do toho istého odvodu, ktorý sa používa na odvod dymov, ktoré vylučujú zariadenia spaľujúce plyny alebo iné horľaviny.

Je prísne zakázané pod odsávačom pary pripravovať jedlá na plameni.

Použitie voľného plameňa poškodzuje filtre, čo môže byť príčinou vyvolania požiaru, preto sa ho v každom prípade treba vyvarovať.

Vyprážanie potravín sa musí vykonávať pod kontrolou a treba sa vyhnúť tomu, aby prepálený olej začal horieť. Pri použití spolu s varnými spotrebičmi, prístupové časti sa môžu značne zohriať.

Čo sa týka technických a bezpečnostných opatrení schválených pre odvod dymov, je potrebné dodržiavať sa presne predpismi stanovenými príslušnými miestnymi úradmi.

Odsávače potrebne často čistiť zvnútra tak aj zvonku (ASPOŇRAZ ZA MESIAC). V každom prípade je nutné dodržiavať všetko, čo je uvedené v návode na obsluhu.


Nedodržiavanie noriem čistenia odsávača a výmeny a čistenia filtrov sa môžu stať príčinou požiaru.

Nepoužívajte a nenechávajte digestor bez riadne nastavených svetidiel a nevystavujte sa tak nebezpečenstvu elektrického výboja.

Tento spotrebič je označený v súlade s európskou smernicou 2002/96/ES o likvidácii elektrického a elektronického zariadenia (WEEE).

Uistením sa, že tento výrobok bol po svojej životnosti odstránený správnym spôsobom, užívateľ prispieva k predchádzaniu možným negatívnym následkom pre životné prostredie a zdravie.



Symbol  výrobku alebo na jeho sprievodnej dokumentácii, upozorňuje, že s týmto výrobkom sa nesmie zaobchádzať ako s domácim odpadom, ale musí byť odovzdaný do príslušného miesta zberu pre recykláciu elektrických a elektronických prístrojov. Zbavíť sa ho riadením sa podľa miestnych zákonov o odstránení odpadkov. Kvôli dokonalejším informáciám o zaobchádzaní, znovuzískaní a recyklácii tohto výrobku, kontaktujte príslušné miestne úrady, služby pre zber domáceho odpadu alebo predajňu, v ktorej výrobok bol zakúpený.

Prístroj bol navrhnutý, testovaný a vyrobený v súlade s:

1. Bezpečnosť: EN/IEC 60335-1; EN/IEC 60335-2-31, EN/IEC 62233.
2. Výkonnosť: EN/IEC 61591; ISO 5167-1; ISO 5167-3; ISO 5168; EN/IEC 60704-1; EN/IEC 60704-2-13; ISO 3741; EN 50564; IEC 62301.
3. EMC: EN 55014-1; CISPR 14-1; EN 55014-2; CISPR 14-2; EN/IEC 61000-3-2; EN/IEC 61000-3-3.

(CISPR - Osobitný medzinárodný výbor pre rádiové rušenie, pozn. prekl.)

Odporúčania pre správne použitie s cieľom znížiť dopad na životné prostredie: Zapnite digestor na minimálnu rýchlosť, keď začnete s varením a nechajte ho bežať niekoľko minút po ukončení varenia. Zvýšte rýchlosť len v prípade veľkého množstva dymu a pary a použite podpornú rýchlosť (rýchlosti) len v extrémnych situáciách. Vymeňte uhlíkový filter (filtre), ak je to potrebné na udržiavanie dobrej účinnosti zníženia zápachu. Vyčistite tukový filter (filtre), ak je to potrebné na udržiavanie jeho účinnosti. Použite maximálny priemer potrubného systému, ako je uvedené v tomto návode, na optimalizáciu účinnosti a minimalizáciu hluku.

**POZOR!** Chýbajúca inštalácia skrutiek a upevňovacích zariadení v súlade s týmito pokynmi môže mať za následok ohrozenie elektrickým prúdom.

## POUŽÍVANIE

Digestor je možné použiť s odsávaním mimo miestnosť, alebo s recirkulačným filtrom pre čistenie vzduchu v miestnosti.



### Odsávací verzia

Výpary sú vypúšťané von prostredníctvom výfukového potrubia upevneného na spojovacej príruke. Priemer výfukového potrubia sa musí zhodovať s priemerom spojovacieho prstenca. Upozornenie! Odťahové potrubie nie je súčasťou výbavy a je nutné ho zakúpiť.

Na vodorovnej (horizontálnej) časti, potrubie musí mať mierny náklon smerom nahor (približne 10°), aby sa vzduch mohol ľahšie odvádzať smerom von.

Ak odsávačpary je vybavený uhlíkovými filtrami, tak tie musia byť vybraté.

Napojte digestor na odťahové potrubie s rovnakým priemerom ako vývod vzduchu (spojovacia príruka).

Použitie odvodových trubíc a otvorov do steny s menším priemerom má za následok zníženie odsávadovej výkonnosti a drastické zvýšenie hlučnosti.

V tejto zásluže sa vyhýba každej zodpovednosti.

- ! Používajte čo najkratšie odťahové potrubie.
- ! Používajte odťahové potrubie s čo najmenším počtom záhybov (maximálny uhol záhybu: 90°).
- ! Vyhnite sa zásadným zmenám sekcie vedenia odťahu.
- ! Používajte odťahové potrubie s čo najhladším vnútorným povrchom.
- ! Materiál použitý pre odťahové potrubie musí zodpovedať platným normám.



### Filtračná verzia

Odsávaný vzduch bude pred návratom do miestnosti zladený tukom a pachom. K použitiu digestora v tejto verzii je nutné inštalovať dodatočný systém filtrovania na základe aktívnych uhlíkov.

Nasatý vzduch sa pred znovu privodením do miestnosti najprv odmastí a sa zbaví zápachu. Aby sa mohol odsávačpary



používať v takejto verzii, je potrebné nainštalovať doplnujúci filtračný systém na základe aktívneho uhlia.

## MONTÁŽ

Minimálna vzdialenosť medzi podporou nádoby na varnej ploche a najnižšou časťou digestora nesmie byť menšia než 50cm v prípade elektrických sporákov, 65cm v prípade plynových číkombinovaných/zmiešaných sporákov.

Pokiaľ návod na inštaláciu varného zariadenia na plyn odporúča väčšiu vzdialenosť, je treba sa týmto pokynom riadiť.



### Elektrické napojenie

Sieťové napätie musí zodpovedať napätiu uvedenému na štítku s charakteristikami umiestnenom vo vnútri odsávača. Pokiaľ je odsávač vybavený prípojkou/vidlicou, stačí ju zapojiť do zásuvky zodpovedajúcej aktuálnym normám, ktorá sa nachádza v ľahko dosiahnuteľnom priestore aj po prevedenej montáži. Pokiaľ odsávač je vybavený prípojkami/vidlicou (priame pripojenie k sieti) alebo sa zásuvka nenachádza v ľahko dosiahnuteľnom priestore aj po prevedení montáže, je nutné použiť dvoj pólový vypínač zodpovedajúci normám, ktorý zaručí úplné odpojenie od siete v podmienkach kategórie prepätí III, v súlade s pravidlami inštalácie.

Upozornenie! Skôr než opäť napojíte obvod digestora na sieťové napájanie a overíte správne fungovanie, skontrolujte si vždy, že sieťový kábel bol správne namontovaný.

Digestor je vybavený špeciálnym napájacím káblom; v prípade poškodenia káblu si ho vyžiadajte u servisnej služby.

## Montáž

Výrobok má nadmernú hmotnosť, preto je nevyhnutné, aby ho prenášali a inštalovali aspoň dve alebo viac osôb. Pred začatím inštalácie:

- Skontrolujte, čímá zakúpený výrobok vhodné rozmery pre zvolený priestor inštalácie.
- Odložte filter/y s aktívnym uhlím – ak sa dodávajú (viď príslušný odstavec). Je potrebné ich namontovať späť v prípade, že hodláte používať odsávač vo filtračnej verzii.
- Skontrolujte, či sa vo vnútri odsávača nenachádza (z prepravných dôvodov) materiál príslušenstva (napríklad vrecká so šraubami, záruky atd.), prípadne ich vyberte a uschovajte.
- Pokiaľ je to možné, odpojte a odstráňte nábytok nachádzajúci sa pod a okolo priestoru inštalácie za účelom získania lepšieho prístupu k stopu/stene, na ktorý/ú má byť odsávač nainštalovaný. Ďalej je potrebné v rámci možnosti čo najlepšie ochrániť nábytok a všetky súčasti potrebné pre inštaláciu. Zvoľte si rovný povrch a pokryte ho ochrannou fóliou, na ktorú uложите odsávača súčasti príslušenstva.
- Ďalej skontrolujte, či je v blízkosti priestoru inštalácie odsávača (v priestore prístupnom aj po montáži odsávača) dostupná zásuvka elektrického rozvodu a či bude možné previesť pripojenie zariadenia na odvádzanie dymu smerom von (platí iba pre odsávaciu verziu).
- Preveďte všetky potrebné stavebné práce (napr.: inštaláciu zásuvky elektrického rozvodu a/alebo realizáciu otvoru pre priechod dymovej rúrky).

Odsávač pary je vybavený upevňovacími klinmi vhodnými pre väčšinu typov stien/stropov. Jednako je nevyhnutné poradiť sa s kvalifikovaným technikom, aby vám schválil spôsobilosť materiálov na základe akého typu je stena/strop. Stena/strop musí byť dostatočne mohutná, aby udržala hmotnosť odsávača pary.

## ČINNOSŤ

V prípade nazhromaždenia väčšieho množstva pary v kuchyni použite vyššiu rýchlosť. Odporúčame zapnúť odsávanie 5 minút pred začatím varenia a nechať ho v chode ešte približne ďalších 15 minút po ukončení varenia.

## WHI661STX, WHI641ST, WHI961STX, WHI961ST, WHT961STX, WHT941ST



Na výber funkcií odsávača pár sa stlačí dotknúť príkazov.

**T1. Stand by** (ovládací panel vypnutý – všetky funkcie vypnuté) / ON (ovládací panel zapnutý)

**Poznámka:** po približne minúte nepoužívania odsávania pár (odsávanie a osvetlenie) sa odsávač automaticky prepne do stand by.

**T2. ON/OFF osvetlenia**

Len v niektorých modeloch (**pozri nákres vyššie**):

Na výber požadovanej intenzity osvetlenia stlačte viackrát:

**L1:** slabé osvetlenie

**L2:** stredné osvetlenie

**L3:** vysoké osvetlenie

Po ďalšom stlačení sa osvetlenie vypne.

**T3. ON/OFF Automatická prevádzka**

Odsávač pár automaticky nastaví rýchlosť (výkon) odsávania 1 na vyššiu v prípade, že to vyžadujú podmienky prostredia zistené senzorom odsávača.

Pri nezmenených podmienkach prostredia sa odsávač pár (ak má odsávač pár nastavenú rýchlosť (výkon) odsávania 1) po 10 minútach vypne.

**Poznámka:** na správne použitie tejto funkcie je potrebné najskôr vykonať Nastavenie parametrov pre automatickú prevádzku (pozri príslušnú časť).

**Poznámka:** ak počas automatickej prevádzky užívateľ zmení iné funkcie, ktoré regulujú rýchlosť, funkcia automatickej ventilácie sa vypne.

**T4. Manuálny výber rýchlosti (výkonu) odsávania:**

**L4:** rýchlosť (výkon) odsávania 1

**L5:** rýchlosť (výkon) odsávania 2

**L6:** rýchlosť (výkon) odsávania 3

Po ďalšom stlačení sa odsávač pár vypne (OFF).

**Poznámka:** manuálny výber vylúči každú ďalšiu funkciu nastavenú pre odsávanie.

**T5. ON/OFF rýchlosť (výkon) intenzívneho odsávania „POWER BOOST“ (časované)**

**Poznámka:** po 5 minútach prevádzky sa odsávač pár vráti do predchádzajúceho stavu.

**T6\* (Len v niektorých modeloch) ON/OFF rýchlosť (výkon) intenzívneho odsávania „POWER BOOST x 2“ (časované)**

**Poznámka:** po 5 minútach prevádzky sa odsávač pár vráti do predchádzajúceho stavu.

**T7. ON/OFF režimu prevádzky „Výmena vzduchu“**

Po každých 50 minútach nečinnosti sa zapne rýchlosť (výkon) odsávania 1 na 10 minút.

**T8. ON/OFF Oneskorené vypnutie** rýchlosti (výkonu) odsávania (približne 30 minút)

**Poznámka:** táto funkcia je k dispozícii pre rýchlosti s možnosťou výberu pomocou tlačidla T4.

**T9. Kontrolka a reset nasýtenia filtrov**

Tlačidlo sa automaticky zapne so stálym svetlom v prípade, že sa vyžaduje údržba protitukového filtra. Tlačidlo sa automaticky zapne a svetlo bliká v prípade, že sa vyžaduje údržba uhlíkového filtra.

Po výkone údržby pri vypnutom odsávača aktívnom tlačidle stlačte tlačidlo na viac ako 3 sekundy a vykonajte reset kontroly nasýtenia filtrov. V prípade potreby úkon zopakujte (napríklad v prípade, že sú nasýtené obidva filtre).

**Aktivácia kontroly nasýtenia uhlíkového filtra**

Kontrolka nasýtenia uhlíkového filtra je bežne vypnutá. Na zapnutie postupujte takto:

Pri zapnutom displeji (ON) a vypnutom odsávaní (OFF) stlačte súčasne tlačidlá **T8** a **T9** na viac ako 3 sekundy, tlačidlo T9 sa zapne a zasvieti stále svetlo na približne 5 sekúnd, ktoré signalizuje aktiváciu.

Na vypnutie zopakujte úkon, tlačidlo **T9** bude blikáť na približne 5 sekúnd, čím signalizuje vypnutie.

Nastavenie parametrov pre automatickú prevádzku

S cieľom správneho používania automatickej prevádzky vykonajte „Kalibráciu odsávača pár“ a „Výber varnej dosky“.

### **Kalibrácia odsávača pár**

Pri zapnutom displeji (ON) a vypnutom odsávaní (OFF) stlačte tlačidlo **T4** na 5 sekúnd.

Rýchlosť (výkon) odsávania 2 začne fungovať a tlačidlo T4 bude blikať, čo signalizuje, že bola začatá kalibrácia odsávača pár, ktorá trvá približne 15 minút.

Poznámka: na prerušení kalibrácie stlačte **T4** na 5 sekúnd; kalibrácia bude neplatná a bude ju potrebné zopakovať.

### **Výber varnej dosky**

Pri zapnutom displeji (ON) a vypnutom odsávaní (OFF) stlačte tlačidlo **T3** na 5 sekúnd.

### **Model s 2 úrovňami intenzívneho výkonu T5 (POWER BOOST) a T6 (POWER BOOST x 2)**

Zapnú sa tlačidlá **T3, T5 a T6**.

V prípade plynovej varnej dosky stlačte tlačidlo **T5** – tlačidlo bude blikať, čo signalizuje výber. V prípade elektrickej varnej dosky stlačte tlačidlo **T6** – tlačidlo bude blikať, čo signalizuje výber.

### **Model s 1 úrovňou intenzívneho výkonu T5 (POWER BOOST)**

Zapnú sa tlačidlá **T3, T7 a T8**.

V prípade plynovej varnej dosky stlačte tlačidlo **T7** – tlačidlo bude blikať, čo signalizuje výber. V prípade elektrickej varnej dosky stlačte tlačidlo **T8** – tlačidlo bude blikať, čo signalizuje výber.

## **ÚDRŽBA**

Pred akokoľvek operáciou čistenia či údržby odpojte digestor od elektrickej siete, vyberte vidlicu zo zásuvky alebo vypnite hlavný spínačbytu.

## **Čistenie**

Odsávačpary sa pravidelne čistí zvonku aj zvnútra (aspoňrovnako častým opakovaním ako sa vykonáva údržba filtrov tuku).

Pri čistení je treba použiťlátku navlhčenú denaturovaným liehom alebo neutrálnymi tekutými čistiacimi prostriedkami. Nepoužívajte prostriedky obsahujúce brúsne látky.

### **NEPOUŽÍVAŤALKOHOL!**

**Upozornenie:** Nedodržanie noriem na čistenie zariadenia a výmenu filtrov predstavuje riziko požiaru. Odporúča sa preto dodržiavaťuvedené pokyny.

Výrobca odmieta akúkoľvek zodpovednosťza prípadné škody na motore, požiare vyvolané nesprávnou údržbou alebo nedodržaním vyššie uvedených upozornení.

## **Protitukový filter**

Udržiava častice tukov pochádzajúcich z varenia.

Musí by ťčistený jedenkrát za mesiac s neдрáždživými čistiacimi prostriedkami, ručne alebo v umývačke riadu s nízkou teplotou a s krátkym umývacím cyklom.

Umývaním v umývačke riadu, protitukový kovový filter môže vyblednúť,ale jeho filtračné vlastnosti sa tým vôbec nezmenia. Na odpojenie protitukových filtrov potiahnite za pružinový háčik.

## **Uhoľný filter (iba pre filtračnú verziu)**

Udržiava nepríjemné zápachy pochádzajúce z varenia.

Nasýtenie filtra s uhlíkom nastane po viac čimenej dlhom užívaní, tj. závisí na type kuchyne a pravidelnom čistení filtra proti mastnotám. V každom prípade je nutné nahradiťfilter približne raz za 4 mesiace. NEMÔŽE byťumývaný alebo regenerovaný.

## **Výmena žiaroviek**

Odsávačpary je vybavený systémom osvetlenia založenom na technológii LED.

Kontrolky LED zaručujú optimálne osvetlenie, trvanie až 10 krát dlhšie ako tradičné žiarovky a umožňujú ušetriť 90% elektrickej energie.

Pre výmenu, obrátiťsa na technický servis.

## SL - ODZRAČEVALNA NAPA

**Strogo se držite navodil iz tega priročnika.** Zavračamo vsakršno odgovornost za morebitne nepravilne, škodo ali požare na napravi, ki bi izvirali iz neupoštevanja navodil iz tega priročnika. Napa je zasnovana za odsesovanje dimnih plinov in pare, ki nastajajo pri kuhanju in je namenjena izključno za domačo uporabo.

**Napa se lahko po izgledu razlikuje od slik iz te knjižice, navodila za uporabo, vzdrževanje in namestitve pa so enaka.**

! Priročnik hranite v kraju, kjer si ga je mogoče kadarkoli pogledati. Če napravo prodate, odstopite ali premestite naj priročnik ostane vedno ob izdelku.

! Pozorno preberite navodila: saj navajajo pomembne informacije o namestitvi, uporabi in varnosti.

! Napravi ne spreminjajte električnih ali mehanskih lastnosti, ne posegajte v izpušne odvode.

! Pred namestitvijo naprave se prepričajte, da so vsi njeni sestavni deli nepoškodovani. Če ne bi bilo tako, pokličite pooblaščenega prodajalca in naprave ne nameščajte.

**Opomba:** detajli, označeni s simbolom "(\*)", so opcijski dodatki, ki so dobavljeni le z nekaterimi modeli ali niso dobavljeni, saj so razpoložljivi proti plačilu.



### OPOZORILA

**Pozor!** Ne priključujte naprave na električno omrežje, dokler inštalacija ni v celoti zaključena.

Pred vsakršnim čiščenjem ali vzdrževanjem, izključite napa iz električnega omrežja, tako da vtičizvlečete iz vtičnice ali izključite glavno vklopno stikalo.

Naprave naj ne uporabljajo otroci ali osebe z nižjimi fizičnimi, senzoričnimi ali umskimi sposobnostmi in osebe brez ustreznih izkušenj in znanja, razen pod nadzorom ali ob pomočiodgovorne osebe, ki poskrbi za njihovo varnost.

Otroke je treba imeti pod nadzorom, da se ne bi igrali z napravo. Nape nikoli ne uporabljajte, če rešetka ni pravilno nameščena!

Nape NIKOLI ne uporabljajte kot odlagalne površine, razen če je to izrecno dovoljeno.

Ko se kuhinjsko napa uporablja istočasno z drugimi napravami, ki delujejo na plin ali druga goriva, mora biti prostor dovolj prezračen.

Vsesani zrak se ne sme usmerjati v cevovod, ki služi kot odvod za pline, katere proizvajajo naprave, ki delujejo na plin ali druga goriva.

Pod napa je strogo prepovedana priprava flambiranih jedi.

Uporaba odprtega ognja je škodljiva za filtre in lahko povzroči požare, zato je treba uporabo slednjega v vsakem primeru prepovedati.

Cvrčje zahteva stalen nadzor, da se pregreto olje ne bi vnelo.

Ob istočasni uporabi pečice, se lahko dostopni deli močno segrejejo.

Kar zadeva tehnične in varnostne ukrepe za odvod dimov, se morate strogo držati predpisov pristojnih lokalnih oblasti.


Napa pogosto čistite tako zunaj kot znotraj (VSAJ ENKRAT MESEČNO, v vsakem primeru upoštevajte, kar izrecno narekujejo navodila za vzdrževanje v tem priročniku).

Neupoštevanje pravil čiščenja nape ter zamenjave in čiščenja filtrov predstavlja tveganje požarov.

Nape ne uporabljajte oziroma je ne puščajte z nepravilno nameščenimi žarnicami, saj obstaja tveganje električnega udara. Zavračamo vsakršno odgovornost za morebitne nepravilne, škodo ali požare na napravi, ki bi izvirali iz neupoštevanja navodil iz tega priročnika.

Ta naprava je označena skladno z Evropsko direktivo 2002/96/ES, Waste Electrical and Electronic Equipment (WEEE oziroma direktivo o odpadni električni in elektronski opremi). S pravilnim odlaganjem tega izdelka uporabnik prispeva k preprečevanju morebitnih negativnih posledic na okolje in zdravje.



Znak  na izdelku ali na priloženi dokumentaciji označuje, da se ga ne sme zavrečimmed komunalne odpadke, temveč odnesti na ustrezno zbirno mesto za recikliranje odpadne električne in elektronske opreme. Napravo zavrzite skladno z lokalnimi predpisi, ki veljajo na področju odlaganja odpadkov. Za dodatne informacije o ravnanju, ponovni uporabi in recikliranju tega izdelka se obrnite na ustrezno lokalno službo, zbirni center komunalnih odpadkov ali trgovino, kjer ste izdelek kupili.

Aparat je bil zasnovan, testiran in izdelan v skladu z:

1. Varnost: EN/IEC 60335-1; EN/IEC 60335-2-31, EN/IEC 62233.
2. Rezultati: EN/IEC 61591; ISO 5167-1; ISO 5167-3; ISO 5168; EN/IEC 60704-1; EN/IEC 60704-2-13; ISO 3741; EN 50564; IEC 62301.
3. EMC (EM združljivost): EN 55014-1; CISPR 14-1; EN 55014-2; CISPR 14-2; EN/IEC 61000-3-2; EN/IEC 61000-3-3.

Predlogi za pravilno uporabo, s katero lahko zmanjšate vpliv na okolje: Napo prižgite na minimalni moči ON ob začetku kuhanja, in jo pustite, naj deluje tudi nekaj minut po koncu kuhanja. Hitrost povečajte le takrat, ko je prisotno veliko dimov in pare, način(e) boost uporabite le v izjemnih situacijah. Ogleni(e) filter(re) po potrebi zamenjajte, ter tako ohranite učinkovitost pri odpravljanju neprijetnih vonjav. Maščobni(e) filter(re) očistite po potrebi, ter tako ohranite njegovo (njihovo) učinkovitost. Uporabite sistem cevi maksimalnih diametrov, naveden v tem priročniku, ter tako optimizirajte učinkovitost in zmanjšajte hrup.

**POZOR!** Če pri nameščanju vijakov in pritrdil ne upoštevate teh navodil, obstaja nevarnost poškodbe z električnim tokom.

## UPORABA

Napa je izdelana za uporabo v odzračevalni različici z zunanjim odvodom ali obtočni oz. filtracijski z notranjim obtokom.



### Odzračevalna različica

Hlapi so usmerjeni navzven po odvodni cevi, ki je pritrjena na priključno prirobnico. Premer odvodne cevi mora biti enak premeru spojnega obročka.

Pozor! Odvodna cev ni priložena napa in jo je potrebno kupiti ločeno.

V horizontalnem odseku mora biti cev rahlo nagnjena navzgor (približno 10°), tako da zrak lažje izhaja navzven. Če je napa opremljena z oglenimi filtri, je slednje potrebno odstraniti.

Povežite napa s cevmi in odprtini z vodoravnim odtokom enakega premera kot je premer izhoda za zrak (spojna prirobnica).

Uporaba cevi in odprtini z vodoravnim odtokom, ki imajo manjši premer, bo vplivala na zmanjšanje učinkov sesanja in močno povečala hrupnost.

Zato za tako delovanje odklanjamo vsakršno odgovornost.

- ! Cevovod naj bo dolg toliko, kolikor znaša najmanjša nujna dolžina.
- ! Cevovod naj ima čim manj krivin (največji kot upogiba: 90°).
- ! Izogibajte se izrazitim spremembam smeri cevovoda.
- ! Notranjost cevovoda naj bo čim bolj gladka.
- ! Material, iz katerega je izdelan cevovod, mora biti skladen z normativi.



### Obtočna različica

Iz vsesanega zraka so pred ponovnim vnosom in prostor odstranjeni maščoba in neprijetne vonjave. Pri uporabi nape v tej izvedbi je potrebno namestiti dodatni filter na osnovi aktivnega oglja.

## INŠTALACIJA

Minimalna razdalja med podporno površino posod na kuhalni površini in spodnjim delom nape za kuhinjske prostore ne sme biti manjša od 50cm pri električnih štedilnikih in 65cm pri plinskih ali mešanih štedilnikih.

Če je v navodilih za instalacijo plinskega kühalnika napisana večja razdalja, jo je treba tudi upoštevati.



### Električna povezava

Omrežna napetost mora ustrezati napetosti, navedeni na nalepki z lastnostmi, nameščeni v notranjosti nape. Če ima napa vtič, slednjega vstavite v vtičnico, ki je skladna z veljavnimi predpisi in se nahaja na takem mestu, ki bo dostopno tudi po vgradnji naprave. Če napa nima vtiča (neposredna povezava na omrežje) ali se vtič nahaja na takem mestu, ki po vgradnji naprave ne bi bilo dostopno, namestite dvopolno stikalo, skladno s predpisi, ki zagotavlja popoln izklop iz omrežja v pogojih prenapetostnega

razreda III, skladno s predpisi o inštalaciji.

**Pozor!** pred ponovnim priklopom tokokroga nape na omrežno napajanje in kontrolo pravilnega delovanja, vselej preverite, ali je omrežni kabel pravilno nameščen.

Napa ima poseben napajalni kabel. V primeru poškodb kabla lahko novega naročite pri servisni službi.

## Montaža

Napa je težka, zato sta za njeno premikanje in namestitev potrebni vsaj dve osebi.

Pred pričetkom namestitve:

- Preverite, ali dimenzije kupljenega izdelka ustrezajo izbranemu prostoru namestitve.
- Odstranite filter/e z aktivnim ogljem, če je/so priložen/i (glejte tudi ustrezni odstavek). Namestite ga/jih le, če želite uporabiti napa v odzračevalni različici.
- Prepričajte se, da v notranjosti nape (zaradi prevoznih razlogov) ni morebitnega priloženega materiala (na primer, ovojnice z vijaki, garancije itd.); če je, ga odstranite in shranite.
- Če je mogoče, razstavite in odstranite omarice, ki se nahajajo pod in okrog območja namestitve nape, tako da imate boljši dostop do stropa/stene, kamor bo napa nameščena. V nasprotnem primeru pa kolikor je mogoče zaščitite omarice in vse dele, kjer bo potekala namestitev. Izberite ravno površino in jo prekrijte z zaščito, kamor boste nato položili napa in priložene dele.
- Preverite tudi, da je v bližini območja namestitve nape (v predelu, ki je dostopen tudi z montirano napa) na razpolago električna vtičnica in da je mogoča povezava s sistemom za zunanji odvod dimov (samo pri odzračevalni različici).
- Izvedite vsa potrebna zidarska dela (npr.: namestitev električne vtičnice in/ali odprtine za prehod odvodne cevi).

Napi so priloženi pritrilni vložki, primerni za večji del sten/stropov. Vseeno pa se je treba obrniti na usposobljenega tehnika, ki vam bo potrdil ustreznost materialov glede na vrsto stene/stropa. Stena/Strop morata biti dovolj trdna, da lahko prenašata težo nape.

## DELOVANJE

V primeru posebno visoke koncentracije dimov v kuhinji uporabite najvišjo hitrost. Priporočamo vam, da prezračevanje vključite 5 minut pred pričetkom kuhanja in ga pustite delovati še približno 15 minut po končanem kuhanju.

### WHI661STX, WHI641ST, WHI961STX, WHI961ST, WHT961STX, WHT941ST



Za izbiro funkcij nape zadošča, da se dotaknete upravljalnih mehanizmov.

**T1. Stanje pripravljenosti** (upravljalna plošča izključena – vse funkcije onemogočene) / **ON** (upravljalna plošča vključena)  
**Opomba:** ko napa približno eno minuto ne uporabljate (odsosovanje in luči), se samodejno vrne na stanje pripravljenosti.

#### T2. ON/OFF luči

Samo pri nekaterih modelih (**glej sliko zgoraj**):

večkrat pritisnite tipko, da izberete želeno močluči:

**L1:** medla luč

**L2:** srednje močna luč

**L3:** močna luč

znova pritisnite za izklop luči.

#### T3. ON/OFF samodejnega delovanja

Napa samodejno poveča hitrost (moč) odsosovanja 1, če pogoji v prostoru, ki jih zaznava tipalo, vgrajeno v napa, tako zahtevajo.

Če se pogoji v prostoru ne spremenijo, se napa (če že deluje s hitrostjo (močjo) 1) po 10 minutah ugasne.

**Opomba:** za zagotovitev pravilne uporabe te funkcije, izvedite najprej "Nastavitev parametrov za samodejno delovanje" (glej ustrezni odstavek).

**Opomba:** Če uporabnik med samodejnim delovanjem uporablja druge funkcije, ki uravnavajo hitrost, se funkcija samodejnega odsesovanja izključi.

**T4. Ročna nastavitev hitrosti (moči) odsesovanja:**

**L4:** 1. stopnja hitrosti (moči) delovanja

**L5:** 2. stopnja hitrosti (moči) delovanja

**L6:** 3. stopnja hitrosti (moči) delovanja znova pritisnite za izklop nape (OFF).

**Opomba:** ročna nastavitev izključivse druge funkcije odsesovanja.

**T5. ON/OFF intenzivne stopnje hitrosti (moči) delovanja "POWER BOOST"** (s časovno nastavitvijo)

**Opomba:** po 5 minutah delovanja se napa vrne na predhodno nastavljeno hitrost (moč)delovanja.

**T6\*. (Samo pri nekaterih modelih) ON/OFF intenzivne stopnje hitrosti (moči) delovanja "POWER BOOST x 2"** (s časovno nastavitvijo)

**Opomba:** po 5 minutah delovanja se napa vrne na predhodno nastavljeno hitrost (moč)delovanja.

**T7. ON/OFF delovanja v načinu "odzračevanja"**

Vsaki 50 minut nedelovanja se vključi 1. stopnja hitrosti (moči) delovanja, na kateri naprava deluje 10 minut.

**T8. ON/OFF zakasnitve izklopa hitrosti (moči) delovanja (približno 30 minut)**

**Opomba:** ta funkcija je na voljo le pri hitrostih, ki jih je mogoče izbrati s tipko T4.

**T9. Indikator zasičenosti filtrov in njegova ponastavitev**

Lučka v tipki se samodejno prižge in stalno sveti v znak, da je potrebno o čistiti ali zamenjati maščobni filter. Lučka v tipki se samodejno prižge in utripa v znak, da je potrebno očistiti ali zamenjati ogljeni filter.

Ko ste očistili oziroma zamenjali filter in je napa ugasnjena, tipka pa omogočena, pritisnite tipko in jo zadržite pritisnjeno več kot 3 sekunde, da ponastavite indikator zasičenosti filtrov; po potrebo postopek ponovite (na primer, če sta zasičen oba filtra).

**Omogočenje indikatorja zasičenosti oglenega filtra**

Indikator zasičenosti oglenega filtra je običajno onemogočen. Za omogočenje indikatorja sledite naslednjemu postopku: Z vključenim zaslonom (ON) in ugasnjenim odsesovanjem (OFF) sočasno pritisnite tipki **T8** in **T9** ter ju zadržite pritisnjeni več kot 3 sekunde; lučka v tipki **T9** se prižge in stalno sveti približno 5 sekund v znak omogočenja indikatorja.

Če želite indikator onemogočiti, ponovite postopek; lučka v tipki **T9** približno 5 sekund utripa v znak onemogočenja indikatorja.

**Nastavitev parametrov za samodejno delovanje**

Za zagotovitev pravilnega samodejnega delovanja naprave, izvedite postopka "Umerjanje nape" in "Izbira kuhalne plošče".

**Umerjanje nape**

Z vključenim zaslonom (ON) in izključenim odsesovanjem (OFF) pritisnite tipko **T4** in jo zadržite pritisnjeno 5 sekund.

Napa začne delovati z 2. stopnjo hitrosti (moči) odsesovanja in lučka v tipki **T4** utripa v znak začetka umerjanja nape, ki bo trajalo približno 15 minut.

**Opomba:** za prekinitev umerjanja pritisnite tipko **T4** in jo zadržite pritisnjeno 5 sekund; umerjanje se prekliche in ga je treba ponoviti.

**Izbira kuhalne plošče**

Z vključenim zaslonom (ON) in izključenim odsesovanjem (OFF) pritisnite tipko **T3** in jo zadržite pritisnjeno 5 sekund.

**Model z 2 stopnjama intenzivne moči T5 (POWER BOOST) in T6 (POWER BOOST x 2)**

Lučke v tipkah **T3**, **T5** in **T6** se prižgejo.

V primeru plinske kuhalne plošče pritisnite tipko **T5** – lučka v tipki za čne utripati v znak uspešne izbire. V primeru električne kuhalne plošče pritisnite tipko **T6** – lučka v tipki začne utripati v znak uspešne izbire.

**Model z 1 stopnjo intenzivne moči T5 (POWER BOOST)**

Lučke v tipkah **T3**, **T7** in **T8** se prižgejo.

V primeru plinske kuhalne plošče pritisnite tipko **T7** – lučka v tipki za čne utripati v znak uspešne izbire. V primeru električne kuhalne plošče pritisnite tipko **T8** – lučka v tipki začne utripati v znak uspešne izbire.

## VZDRŽEVANJE

**Pozor!** Pred vsakršnim čiš čenjem ali vzdrževanjem izključite električno napajanje nape, tako da vtičizvlečete iz vtičnice ali izklopite glavno stikalo.

### Čiš čenje

Napa zahteva pogosto čiš čenje, tako zunaj kot znotraj.

Za čiš čenje uporabljajte krpo, navlaženo s tekočimi nevtralnimi detergenti.

Izogibajte se uporabi izdelkov, ki vsebujejo abrazivne snovi.

### **NE UPOBLJAJTE ALKOHOLA!**

**Pozor:** Neupoštevanje pravil za čiš čenje naprave in zamenjavo filtrov predstavlja tveganje požarov. Zato vam svetujemo, da sledite priporočenim navodilom.

Zavračamo vsakršno odgovornost za morebitno škodo na motorju in požare, ki bi bili posledica neprimerne vzdrževanja ali neupoštevanja zgornjih opozoril.

### **Maščobni filter**

Zaustavlja maščobne delce, ki nastajajo pri kuhanju.

Očistiti ga je treba enkrat mesečno z ne agresivnimi čistilnimi sredstvi, ročno ali v pomivalnem stroju pri nizki temperaturi in kratkim ciklom pranja.

S pranjem v pomivalnem stroju se maščobni filter lahko razbarva, toda njegove filtrirne značilnosti ostanejo nespremenjene. Za demontažo maščobnega filtra povlecite odklopno ročico na vzmet.

### **Ogleni filter (samo za obtočno različico)**

Zadržuje neprijetne vonjave, ki nastajajo pri kuhanju.

Ogleni filter je potrebno zamenjati po daljši uporabi, glede na tip kuhe ter redno čiš čenje maščobnega filtra. Vsekakor je potrebno zamenjati vložek najmanj vsake štiri mesece.

Filter ni niti pralen niti obnovljiv.

### **Zamenjava žarnic**

Napa ima sistem osvetlitve, ki temelji na LED tehnologiji.

LED lučke zagotavljajo optimalno osvetlitev in do 10-krat daljšo življenjsko dobo v primerjavi s klasičnimi žarnicami ter 90% prihranek električne energije.

Za zamenjavo žarnic se obrnite na poprodajno službo.



## SQ - OXHAK THITHËS

Zbatoni me përpikmëri udhëzimet e përshkruara në këtë manual. Shoqëria nuk mban përgjegjësi për pakujdesi, dëme apo zjarre të shkaktuara nga moszbatimi i rregullave të përshkruara në këtë manual. Oxhaku është projektuar vetëm për përdorim shtëpiak. Oxhaku mund të ketë pamje të ndryshme nga ajo e paraqitur në skemat e këtij libërthi , gjithësesi udhëzimet për përdorimin, mirëmbajtjen dhe instalimin janë të njëjtat.

- ! Është e rëndësishme të ruani këtë manual në mënyrë që të keni mundësi të konsultoheni me të në çdo moment në rast paqartësie. Në rast shitjeje, dhurimi, ose shpërnguljeje sigurohuni që të shoqërojë produktin.
- ! Lexoni me kujdes udhëzimet. Ka informacione të rëndësishme.
- ! Mos bëni ndryshime elektrike ose mekanike mbi produktin ose kabullin e shkarkimit.
- ! Para se te fillohet montimi i aparatit duhet te verifikohet se te gjithë pjeset nuk jane te demtuara. Ne rast te kundert kontaktoni shitesin dhe mos filloni ta montoni.

**Shënim:** Detajet e shënuara me simbolin “{\*}” janë aksesore të mundshëm me të cilët pajisen vetëm disa modele ose detaje që nuk janë dhënë, por duhen blerë.



### VËREJTJE

**Kujdes!** Mos e lidhni pajisjen me rrymën elektrike pa kryer plotësisht instalimin.

Përpara çdo veprimi pastrimi ose mirëmbajtjeje, shkëputeni oxhakun nga rryma elektrike duke hequr spinën ose duke ulur siguresës e përgjithshme të banesës.

Gjatë ë gjitha veprimeve montuese apo të mirëmbajtjes përdorni dorashka pune.

Pajisja nuk duhet të përdoret nga fëmijë ose nga persona që nuk janë në gjendje nga pikëpamja fizike, shqisore apo mendore, dhe që nuk kanë njohje dhe eksperiencë për përdorimin e pajisjes, në të kundërt duhet të mbikqyren ose të mësohen për përdorimin e saj nga një njeri i përgjegjshëm për sigurinë e tyre.

Fëmijët duhet të mbahen nën vëzhgim me qëllim që të mos luajnë me pajisjen. Mos e përdorni KURRË oxhakun nëse rrjeti i filtrave nuk është montuar siç duhet!

Oxhaku nuk duhet të përdoret KURRË si mbështetëse për të vendosur sende, veç në rast se janë të këshilluara posaçërisht. Kur oxhaku përdoret njëkohësisht me pajisje të tjera me gaz apo lëndë të tjera djegëse, ambjenti duhet të ajroset në mënyrë të mjaftueshme.

Ajri i thithur nuk duhet të dërgohet kurrë në një tubacion që përdoret për nxjerrjen e tymit të pajisjeve me djegje gazi apo lëndë të tjera djegëse. Është e ndaluar rreptësisht të gatuni me flakë poshtë oxhakat thithës.

Lënia e zjarrit të lirë mund të dëmtojë filtrat dhe mund të shkaktojë zjarr, prandaj duhet të mënjanohet patjetër. Skuqjet e produkteve ushqimore duhet të bëhen nën vëzhgim për të parandaluar zjarrin në rast tejnxehjeje të vajit. Kur suprina është duke punuar pjesët e oxhakat mund të nxehen.

Për sa i përket masave teknike dhe të sigurisë që duhet të zbatohen për nxjerrjen e tymit, duhet të zbatohen me përpikmëri rregulloret e ndërmarrjeve lokale kompetente.


Oxhaku duhet të pastrohet rregullisht si brenda ashtu edhe jashtë (TË PAKTËN NJË HERË NË MUAJ, duke respektuar rregullat e përshkruara në këtë manual)

Moszbatimi i këtyre rregullave të pastërtisë së oxhakat dhe të ndërrimit e pastrimit të filtrave të yndyrës përbën rrezik zjarri. Mos e përdorni oxhakun nëse llambat nuk janë të vendosura siç duhet për të mënjanoher kështu rrezikun e dridhjeve nga rryma elektrike. Shoqëria nuk mban përgjegjësi për pakujdesi, dëme apo zjarre të shkaktuara nga moszbatimi i rregullave të përshkruara në këtë manual.

Kjo pajisje është e pajisur me shenjën dalluese sipas direktivës evropiane 2002/96/CE për pajisjet elektrike dhe elektronike (waste electrical and electronic equipment- WEEE).

Duke u kujdesur për një eliminim të rregullt të pajisjes, ndihmoni në shmangjen e pasojave negative që mund të dëmtojnë ambjentin dhe shëndetin në rast përpunimi jo të duhur të pajisjes.



Shenja  e vendosur mbi pajisje apo në dokumentacionin përkatës, tregon se pajisja nuk mund të trajtohet si mbeturinë shtëpiake. Kështu ajo duhet të grumbullohet në qendrën e përcaktuar për riciklimin e pajisjeve elektrike dhe elektronike. Për

eliminimin e pajisjeve te tilla duhet të zbatohen rregullat vendore në fuqi për eliminimin e mbeturinave.

Për informacione më të hollëshme rreth trajtimit, grumbullimit dhe riciklmit të këtij produkti, ju lutem të lidheni me këshillin tuaj vendor, me shërbimin tuaj të eliminimit të mbeturinave shtëpiake ose me pikëshitjen ku keni blerë pajisjen.

Aparat i projektuar, testuar dhe prodhuar sipas:

- Siguria: EN/IEC 60335-1; EN/IEC 60335-2-31, EN/IEC 62233.
- Performanca: EN/IEC 61591; ISO 5167-1; ISO 5167-3; ISO 5168; EN/IEC 60704-1; EN/IEC 60704-2-13; ISO 3741; EN 50564; IEC 62301.
- EMC EN 55014-1; CISPR 14-1; EN 55014-2; CISPR 14-2; EN/IEC 61000-3-2; EN/IEC 61000-3-3.

Keshilla per nje perdorim korrekt per reduktimin ne impaktin ambjental:

Shtypni ON per te ndezur aspiratorin me nje shpejtesi minimale kur filloni te guzhinoni dhe e mbani te ndezur per disa minuta pasi te keni perfunduar guzhinimin. Shtoni shpejtesine vetem ne raste te nje sasie te madhe tymi dhe avulli dhe perdorni shpejtesine boost vetem ne raste ekstreme. Zevendesoni filtrin me karbon nese eshte e nevojshme te arrini reduktimin e ererave me efikasitet. Pastroni filtrin e yndyrnave nese doni te arrini thithjen e yndyrnave me efikasitet. Perdorni diametrin maksimal te kanalizimit te paraqitur ne manualin e udhezimeve per te maksimizuar efikasitetin dhe minimizuar zhurmen.

**Kujdes!** Mungesa e instalimit te vidave dhe te pajisjeve te fiksimit sipas ketyre udhezimeve mund te sjelle rreziqe te natyres elektrike.

## PËRDORIMI

Oxhaku thithës është realizuar për t'u përdorur në lloji thithës me nxjerrje të jashtme ajri ose filtuese me qarkullim të brendshëm.



### Lloji thithës

Avujt nxirren jashtë nëpërmjet një tubi shkarkimi të fiksuar në flanaxhën e rakordimit. Diametri i tubit të shkarkimit duhet të jetë i barabartë me diametrin e unazës lidhëse.

**Kujdes!** Tubi i evakuimit nuk përfshihet tek pajisjet ndaj duhet blerë.

Në pjesën horizontale, tubi duhet të ketë një përkulje të lehtë në pjesën e sipërme (rreth  $10^\circ$ ) në mënyrë që të mund ta transportojë ajrin jashtë lehtësisht.

Nëse oxhaku është i pajisur me filtra karboni, këta duhet të hiqen.

Lidheni oxhakun me tubat dhe vrimat e shkarkimit në mur me një diametër të barabartë me daljen e ajrit (flanaxhën e rakordimit).

Përdorimi i tubave dhe vrimave të shkarkimit në mur me diametër më të vogël seç duhet do të çojë në një ulje të fuqisë thithëse dhe në një rritje të madhe të zhurmës.

Përrjashtohemi nga çdo përgjegjësi për një rast të tillë.

- ! Perdorn nje kabëll sa më të shkurtër
- ! Përdor një kabëll me sa më pak kthesa (kendi i kthesës maksimumi  $90^\circ$ )
- ! Evitoni kthesat e forta te pjesëve të kabllit.
- ! Përdoni një kabëll që pjesën e brëndshme ta ketë sa më të lëmuar.
- ! Materiali i kabullit duhet të jetë sipas normativave të paracaktuara.



### Lloji filtrues

Ajri i thithur do të pastrohet e aromatizohet përpara se të rikthehet në dhomë. Për ta përdorur oxhakun në këtë version është e nevojshme të instalohet një sistem filtrimi i pajisur me bazë filtrash karboni.

## MONTIMI

Largësia minimale midis sipërfaqes mbështetëse të eneve mbi plakën e gatimit dhe pjesës më të poshtme të oxhakut thithës duhet të jetë jo më pak se 50cm në rastin e kuzhinave elektrike dhe jo më pak se 65cm në rastin e kuzhinave me gaz apo të

përziera.

Nëse udhëzimet e instalimit të pllakave të gatimit me gaz përcaktojnë një largësi më të madhe, duhet të mbahet gjithnjë parasysh.

## Lidhja Elektrike

Tensioni i rrymës duhet të përkojë me tensionin e treguar në etiketën e vendosur nga ana e brendshme e oxhakut. Nëse ka një spinë atëherë lidhni oxhakun me prizën në mur sipas rregullave në fuqi, të vendosur në një zonë të arritshme edhe pas instalimit. Nëse nuk ka asnjë spinë (me lidhje direkte ose me qark elektrik), ose nëse spina nuk gjendet në një zonë të arritshme, edhe pas instalimit, përdorni një çelës siguresë që garanton shkëputjen e plotë të oxhakut nga rryma elektrike në rast mbingarkese të kategorisë III, në zbatim të rregullave të montimit.

Kujdes! Përpara se të rrilidhni qarkun e oxhakut me rrymën elektrike dhe të verifikoni funksionimin e drejtë, kontrolloni gjithnjë që kabloja ushqyese të jetë montuar si duhet.

Oxhaku është i pajisur me një kavo ushqyese të veçantë; në rast dëmtimi të kavos, kërkohet një tjetër shërbimit të ndihmës teknike.

## Montimi

Produkt me peshe të madhe, levizja dhe instalimi i aspiratorit duhet bere te paktën nga dy o me shume persona. Përpara se të filloni instalimin:

- Verifikoni nëse produkti i blerë ka përmasat e duhura me zonën ku to të bëhet instalimi.
- Hiqni filtrin/at prej karboni aktiv nëse ekzistojnë (shihni dhe paragrafin përkatës).Ky/keto filtër/a do te rimontohet/en vetëm nëse do të përdoret oxhaku i llojit filtrues.
- Verifikoni që në brendësi të oxhakut të mos ketë (për arsye transporti), materiale ambalazhi (psh, zarfa me vida, garancia etj), sipas rastit hiqini dhe ruajini.
- Nëse është e mundur të hiqni dhe të lëvizni mobiljet ekzistuese përreth zonës ku do të montohet oxhaku në mënyrë që të ketë me shumë hapësirë midis murit dhe tavanit ku do të montohet oxhaku. Përndryshe mundohuni të ruani sa me shumë te jetë e mundur mobiljet dhe të gjitha pjesët që do të ndikohen nga instalimi. Zgjidhni një sipërfaqe të sheshtë, mbuloheni me një mbulesë në mënyrë që të mos dëmtohet, pastaj vendosni oxhakun dhe pjesët e ambalazhit.
- Verifikoni ndërkaq që në afërsi të zonës së instalimit të oxhakut (zonë që të jetë e përdorshme edhe kur të jetë oxhaku i montuar) të jetë e disponueshme një prizë elektrike e të jetë e mundur të lidhet me një paisje që shkarkon tymin jashtë (vetëm lloji thithës).
- Të ndiqen të gjitha punimet e nevojshme gjatë ndërtimit të murit (psh instalimin e një prize elektrike si dhe një vrimë që do të shërbeje për kalimin e tubës së shkarkimit.

Oxhaku është i pajisur me priza fiksuese, të përshtatshme për pjesën më të madhe të mureve dhe taveaneve. Është gjithsesi e rëndësishme të kontaktoni me një teknik të kualifikuar, për t'iu siguruar në lidhje me përshtatshmërinë e materialit me muret dhe tavanin. Muri ose tavani duhet të jenë të qëndrueshëm në mënyrë që të përballojnë peshën e oxhakut.

## FUNKSIONIMI

Përdorni shpejtësinë maksimale në rast përqëndrimi të veçantë të avujve të gatimit. Ju këshillojmë ta ndizni thithësin 5 minuta para se të filloni të gatuarit dhe ta lini të punojë për rreth 15 minuta pas përfundimit të gatimit.

### WHI661STX, WHI641ST, WHI961STX, WHI961ST, WHT961STX, WHT941ST

T1	T2	T3	T4	T5	T6*	T7	T8	T8
	 —————		 —————					

Per te seleksionuar funksionet e aspiratorit eshte e mjaftueshme te preken butonat.

**T1. Stand by** (paneli i kontrollit është i fikur – te gjithë funksionet nuk funksionojnë) / **ON** (paneli i kontrollit i ndezur ) Shenim: Mbas nje minuti te mos perdorimit te aspiratorit (thithje e drita) ky rikthehet automatikisht ne stand/by.

**T2. ON/OFF dritat**

### **Vetem ne disa modele (shiko figuren lart):**

shtyp shume here deri sa te seleksionosh intensitetin e drites se deshruar:

**L1:** drite te vogel

**L2:** drite mesatare

**L3:** drite e madhe Shtypni akoma per ta fikur.

### **T3. ON/OFF Funksionimi automatik**

Aspiratori programon automatikisht ngritjen shpejtesine(fuqine) e thithjes se aspiratorit 2 ne qofte se kushtet e ambientit te marre nga sensori i aspiratorit e kerkojne .

Ne mungese te ndryshimeve te kushteve te ambientit, mbas 10 minutash (ne qofte se aspiratori eshte duke funksionuar me shpejtesine(fuqine) thithse 1), aspiratori fiket.

**Shenim:** per nje perdorim korrekt te ketij funksioni beni perpara "Rregullimin e parametrave per funksionimin automatik" (shiko paragrafin e caktuar).

**Shenim:** Gjate funksionit automatik ne qofte se preken funksionet e tjera qe rregullojne shpejtesine,funksioni i auto-ventilimit fiket.

### **T4. Seleksionimi manual i shpejtesise(fuqise) se thithjes se aspiratorit:**

**L4:** shpejtesiaa (fuqia) thithse 1

**L5:** shpejtesia(fuqia) thithse 2

**L6:** shpejtesia(fuqia) thithse 3

mbaj te shtypur akoma per te fikur aspiratorin (OFF).

**Shenim:** seleksionimi manual perjashton te gjitha funksionet e tjera te percaktuar per thithjen e aspiratorit.

### **T5. ON/OFF shpejtesia(fuqia) e thithjes intensive "POWER BOOST" (e rregulluar ne kohe te percaktuar)**

**Shenim:** Mbas 5 minutash aspiratori rikthehet ne pozicionin e meparshem.

### **T6\*. (Vetem ne disa modele) ON/OFF shpejtesia (fuqia) e thithjes intensive "POWER BOOST x 2" (e rregulluar me kohe te percaktuar)**

**Shenim:** Mbas 5 minutash ne funksionim aspiratori rikthehet ne pozicionin .

### **T7. ON/OFF modalitë di funksionamento "Nderrim ajri"**

Ne çdo 50 minuta te mos perdorimit ndizet shpejtesia(fuqia) e thithjes 1 per 10 minuta.

### **T8. ON/OFF Fikje me vonese e shpejtesise (fuqise) thithese (per 30 minuta)**

**Shenim:** ky funksion eshte ne dispozicion per shpejtesite e seksionuara me butonin **T4**.

### **T9. Treguesi dhe rivendosja e mbushjes me yndyre te filtrit**

Butoni ndizet automatikisht me drite qe nuk lampexhon kur eshte e nevojshme te kryhet kontrolli i filtrit te yndyres. Butoni ndizet automatikisht me drite qe lampexhon kur eshte e nevojshme te behet kontrolli i filtrit prej karboni.

Mbasi eshte kryer nderrimi,me aspiratorin e fikur e butonin aktiv, shtypet butoni per me shume se 3 seconda per te bere rivendosjen e treguesit te mbushjes me yndyre te filtrit, perseritet operacioni se eshte e nevojshme (per shembull ne rast se jane te mbushur te dy filtratsiano).

#### **Aktivizimi i treguesit te mbushjes me yndyre te filtrit prej karboni**

Treguesi i mbushjes me yndyre te filtrit prej karboni normalisht nuk eshte aktiv. Per ta aktivizuar veproni si me poshte: Me display te ndezur (ON) e thithje te fikur (OFF) shtypen ne te njejten kohe butonat **T8** e **T9** per me shume se 3 seconda, butoni **T9** ndizet me drite te fiksuar per me shume se 5 seconda per te treguar qe u aktivizua.

Per mos venien ne aktivizim,perserit operacionin, butoni **T9** do te lampexhoje per 5 seconda per te treguar qe u realizua.

### **Regullimi i parametrave per funksionimin automatik**

Per nje perdorim te rregullt te funksionit automatik kryhet

"Calibrimi i aspiratorit " e l "Seleksionimi i vatrave te sobes".

### **Calibrimi i aspiratorit**

Me display te ndezur (ON) e thithje te fikur (OFF), shtypet butoni **T4** per 5 seconda.

Shpejtesia (fuqia)thithse 2 fillon te funksionoje butoni **T4** lampexhon per te treguar qe ka filluar kalibrimi i aspiratorit,qe dote zgjase 15 minuta.

**Shenim:** per te nderprere kalibrimin shtypet **T4** per 5 seconda; kalibrimi do te jete i paplotesuar, e keshtu qe duhet perseritur

### **Seleksioni i vatrave te sobes**

Me display te ndezur (ON) e thithje te fikur (OFF), shtypet butoni **T3** per 5 seconda.

### **Model me 2 nivele te fuqise intensive T5 (POWER BOOST) e T6 (POWER BOOST x2)**

Butonat **T3, T5 e T6** ndizen.

Shtyp **T5** ne rast te vatrave me gas – butoni lampexhon per te treguar qe u be seleksionimi i deshiruar.

Shtyp butonin **T6** ne rast te vatrave elektrike – butoni lampexhon per te treguar qe u realizua seleksionimi i deshiruar.

### **Modeli con 1 nivel te fuqise intensive T5 (POWER BOOST)**

Butonat **T3, T7 e T8** ndizen.

Shtyp **T7** ne rast te vatrave me gas – butoni lampexhon per te treguar qe u be seleksionimi i deshiruar.

Shtyp butonin **T8** ne rast te vatrave elektrike – butoni lampexhon per te treguar qe u realizua seleksionimi i deshiruar.

## **MIRËMBAJTJA**

**Kujdes!** Përpara çdo veprimi pastrimi ose mirëmbajtjeje, shkëputeni oxhakun nga rryma elektrike duke hequr spinën ose duke ulur siguresës e përgjithshme të banesës.

### **Pastrimi**

Oxhaku duhet të pastrohet herë pas here (të paktën me të njëjtën kohëzgjatje që kryehet mirëmbajtja e filtrave të yndyrës), si nga brenda ashtu edhe nga jashtë. Për pastrimin përdorni një leckë të njomë me ilaç larës të lëngët jogërryes.

Mos përdorni produkte që përmbajnë gërryese. **MOS PËRDORNIALKOL!**

**Kujdes:** Mosrespektimi i rregullave të pastërtisë së pajisjes dhe të zëvendësimit të filtrave përbën rrezik zjarri. Bëni kujdes që të zbatoni udhëzimet e dhëna.

Shoqëria nuk mban përgjegjësi për dëme të mundshme tek motorri, për zjarre të shkaktuara nga mosmirëmbajtja apo nga moszbatimi i vërejtjeve të mësipërme.

### **Filtri antiyndyrë**

**Thith avujt e yndyrës së gatimit.**

**Filtri antiyndyrë metalik** duhet të pastrohet një herë në muaj me detergjentë jo gërryes, me dorë ose me makinë larëse me temperaturë të ulët dhe me cikël të shkurtër.

Kur lahet në makinë larëse, filtri antiyndyrë metalik mund të çngjyroset, por karakteristikat e tij të filtrimit nuk ndryshojnë aspak.

Për çmontimin e filtrave të yndyrës tërhiqni dorezën me sustë të filtrit.

### **Filtri prej karboni aktiv (Vetëm për Llojin Fitrues)**

**Thith aromat e pakëndshme të gatimit.**

Blokimi i filtrit të karbonit vërehet pas një përdorimi pak a shumë të gjatë sipas llojit të kuzhinës dhe rregullsisë së pastrimit të filtrit të yndyrës. Sidoqoftë është e nevojshme të zëvendësohet të paktën çdo katër muaj.

NUK mund të lahet dhe të rivendoset.

### **Zëvendësimi i Llambave**

Aspiratori ka një sistem ndriçimi qe bazohet ne teknologjine LED.

LED garantojne nje ndriçim optimal, qe zgjat deri 10 here me shume se te llambave tradicionale dhe japin mundesine te kursehet 90% i energjise elektrike.

Per ndrrimin e aspirorit kontaktoni assistenzen teknike.

## SR - KUHINJSKA NAPA SA USIS

**Strogo se pridržavajte objašnjenja koje donosi ovaj priručnik.** Otklanjamo bilo kakvu odgovornost za eventualne neprilike, štetu ili požar izazvan na aparatu koji proizlazi od nepoštovanja uputstava koje donosi ovaj priručnik. Aspirator je projektovan da bi usisao paru i dim koji se stvaraju prilikom kuvanja i namenjen je za isključivo kućansku upotrebu.

Kuhinjska napa može imati drugačiji estetski izgled u odnosu na ono što se prikazuje na slikama u ovom priručniku, u svakom slučaju uputstva o upotrebi, održavanju i instalaciji ostaju nepromenjenima.

! Važno je da sačuvate ovaj priručnik da bi ga mogli konsultovati u svakom trenutku. U slučaju da prodate, poklonite ili premestite ovaj proizvod treba da se uverite da je priručnik uvek zajedno sa proizvodom.

! Pažljivo pročitajte uputstva: ona pružaju važne informacije o instalaciji, upotrebi i o sigurnosti.

! Ne obavljate varijacije/izmene bilo mehaničke bilo električne prirode na proizvodu ili na cevima za izbacivanje.

! Pre nego što počnete sa instalacijom aparata uverite se da nijedna komponenta nije oštećena. U suprotnom slučaju kontaktirajte proizvođača i nemojte nastaviti sa instalacijom.

**Napomena:** Pojednosti koje su obeležene simbolom "(\*)" su opcionalni pribor koji je priložen samo sa nekim modelima ili se radi o pojedinim delovima koji nisu priloženi, a koje treba da kupite.



### UPOZORENJA

**Pažnja!** Ne priključujte aparat na električnu mrežu sve dok niste potpuno završili sa instalacijom.

Pre bilo kakvog postupka održavanja ili čišćenja, iskopčajte kuhinjsku napu sa električne mreže na način da izvadite utikač ili tako da iskopčate opšti prekidačkoji imate u kućili stanu.

Deca ili ljudi sa smanjenim mentalnim, fizičkim ili senzornim sposobnostima i koja nemaju iskustva ili dovoljno znanja ne smeju da koriste ovaj aparat sem ako nisu pod kontrolom ljudi koji su odgovorni za njihovu bezbednost ili su od tih ljudi obučeni kako da upotrebljavaju ovaj aparat.

Obavezno kontrolišite decu kako se ne bi igrala sa aparatom.

Nikad ne koristite kuhinjsku napu bez da ste pravilno montirali rešetku!

Kuhinjska napa se ne sme NIKAD upotrebljavati kao površina za naslanjanje ili polaganje predmeta sem ako to nije jasno navedeno.

Prostorija u koju treba da postavite kuhinjsku napu mora da ima dobru ventilaciju kada se napa koristi zajedno sa drugim aparatima u prostoriji koji su na gasno sagorevanje ili neko drugo gorivo.

Usisavani vazduh se ne sme provoditi u cev koja se koristi za izbacivanje dimova koje proizvode aparati na gasno sagorevanje ili drugu vrstu goriva.

Strogo se zabranjuje pripremanje hrane na plamenu ispod kuhinjske nape.

Upotreba nekontrolisanog plamena je štetna za filtere i može da izazove požar, zato treba da se izbegava u svakom slučaju.

Prilikom prženja hrane kontrolišite da se prezagreano ulje ne zapali.

Delovi kojima je moguć pristup se mogu prilično zagrejati kada se koriste zajedno sa aparatima za kuvanje.

Što se tiče tehničkih i bezbednosnih mera koje se moraju provoditi s obzirom na izbacivanje dimova, strogo se pridržavajte pravilnika nadležnih lokalnih vlasti.

Kuhinjska napa se mora često čistiti bilo spolja bilo iznutra (BAREM JEDAN PUT MESEČNO, poštujući ono što je napisano u uputstvima o održavanju koje donosi ovaj priručnik).


Nepoštovanje pravila o čišćenju kuhinjske nape i zamene ili čišćenja filtera povećava mogućnost izbijanja požara. Ne koristite i ne ostavljajte kuhinjsku napu bez pravilno montirane lampe jer postoji rizik od električnog udara.

Otklanjamo bilo kakvu odgovornost za eventualne neprilike, štetu ili požar izazvan na aparatu koji proizlazi od nepoštovanja uputstava koje donosi ovaj priručnik.

Ovaj je aparat označen u skladu sa Evropskom Direktivom 2002/96/EC, Waste Electrical and Electronic Equipment (WEEE).

Proverite da li je ovaj proizvod odbačen na pravilan način jer na taj način korisnik pridonosi sprečavanju eventualnih negativnih posledica za zdravlje i za okolinu.



Simbol  na proizvodu ili na popratnoj dokumentaciji ilustruje da se ovaj proizvod ne sme tretirati kako kućni otpad nego treba

da se odloži na prikladnom sabirnom mestu za odbacivanje električnih i elektronskih aparata. Odložite ovaj otpad na način da se strogo pridržavate lokalnih pravilnika o odbacivanju smeća. Za dobijanje detaljnijih informacija o tretmanu, odbacivanju i ponovnom korištenju ovog proizvoda, stupite u kontakt sa prikladnim lokalnim ustanovama, službom za sakupljanje kućnog otpada i/ili sa prodavnicom u kojoj ste kupili ovaj proizvod.

Aparatidizajnirani, testproranizvedeniuskladusa:

1. Bezbednospropi: ENsima / IEC60335-1; EN / IEC60335-2-31, EN / IEC62233.
2. Propisimaperformansama: EN / IEC61591; ISO5167-1; ISO5167-3; ISO5168; EN / IEC60704-1; EN / IEC 60704-2-13; ISO3741; EN50564; IEC62301.
3. EMC: EN55014-1; CISPR14-1; EN55014-2; CISPR14-2; EN / IEC61000-3-2; EN / IEC61000-3-3.

Savjeti za pravilan rad i smanjiti utjecaj na okoliš: Uključite kapuljaču na najmanjoj brzini prije kuhanja i ostavite ga trčanje za nekoliko minuta nakon kuhanja. Povećajte brzinu samo kada veliki broj dima i pare i korištenje prednabijanje samo u ekstremnim slučajevima. Za održavajući visoku učinkovitost uklanjanja mirisa, ako je potrebno, uzeti zamjenu ugljena (ovi) filter (e). Za održavanje visoke učinkovitosti filtera masti, ako je potrebno, slijedite filter za čišćenje (e) masti.

Koristite maksimalni promjer zračnog sustava, opisan u uputama za optimiziranje performansi i umanjuje buku.

**PAŽNJA!** Nedostatak instalacije vijaka i zakovica prema ovim uputama mogu dovesti do rizik od električnog prirode.

## KORIŠTENJE

Kuhinjska napa je napravljena da bi se koristila u usisnoj verziji sa spoljašnjim izbacivanjem ili u filtracijskoj verziji sa unutrašnjim kruženjem.



### Usisna verzija

Para se izbacuje napolje uz pomoćcevi za izbacivanje koja je pričvršćena sa spojnom prirubnicom. Prečnik cevi za izbacivanje treba da bude isti kao i prečnik spojnog prstena.

Upozorenje! Cev za izbacivanje nije priložena i treba da je kupite.

U horizontalnom delu cev treba da ima lagani nagib prema gore (otprilike 10°) na taj način se što jednostavnije izbacuje vazduh napolje.

Ako je kuhinjska napa opremljena karbonskim filterima, treba da ih uklonite.

Povežite kuhinjsku napu sa cevima i rupama za ispuštanje kroz zid sa prečnikom koji je jednak izlazu za vazduh (spojna prirubnica).

Upotreba cevi i otvora za izbacivanje kroz zid sa manjim prečnikom dovodi do smanjivanja sposobnosti usisavanja i do drastičnog povećanja nivoa buke.

Zato otklanjamo sa sebe bilo koju odgovornost koja je posledica toga.

- ! Koristite cev koja ima minimalnu potrebnu dužinu.
- ! Koristite cev koja ima što manji mogućinagib (maksimalni nagib: 90°).
- ! Izbegavajte drastične promene prečnika cevi.
- ! Koristite cev koja ima što je moguće glađu unutrašnjost.
- ! Materijal od kojega je napravljena cev treba da bude odobren propisima.



### Filtracijska verzija

Usisavani vazduh se pročišćava od masnoća te se parfimira dezodorantom pre nego što se vrati u prostoriju. Da bi koristili kuhinjsku napu u ovoj verziji potrebno je da postavite dodatni sistem za filtraciju na bazi aktivnih karbona.

## INSTALACIJA

Minimalna udaljenost između površine koja služi da se postave posude na uređaj za kuvanje i najnižeg dela kuhinjske nape ne sme da bude manja od 50cm u slučaju da se radi o električnim kuhinjama i 65cm u slučaju da se radi o kuhinjama na gas ili mešovitim kuhinjama. Ukoliko uputstva za instalaciju uređaja za kuvanje na gas specificuju veću udaljenost, morate da se

pridržavate tih uputstava.



## Električno povezivanje

Napon mreže treba da odgovara naponu koji je naveden na etiketi karakteristika koja se nalazi u unutrašnjosti kuhinjske nape. Ukoliko postoji utikačpovežite kuhinjsku napu sa utičnicom koja je u skladu sa propisima na snazi i koja je postavljena na pristupačnom mestu čak i posle instalacije.

Ukoliko je kuhinjska napa bez utikača, (direktno povezivanje na mrežu) ili utičnica nije postavljena na pristupačnom mestu, čak i posle instalacije postavite dvopolni utikačkoi obezbeđuje kompletno isključenje sa mreže u uslovima kategorije previsokog napona III, u skladu sa pravilima o instalaciji.

**Upozorenje!** pre nego što ponovo povežete kuhinjsku napu sa električnom mrežom i kontrolišete pravilno funkcionisanje, proverite da li je kabl mreže montiran na pravilan način.

Kuhinjska napa je opremljena specijalnim kablom za napajanje; u slučaju da dođe do oštećenja kabla, zatražite ga od tehničke servisne službe.

## Montaža

Radi se o proizvodu koji ima veoma veliku težinu, pokretanje i instalaciju tog proizvoda treba da obave bar dva ili više lica.

Pre nego što počnete sa instalacijom :

- Proverite da proizvod kojeg ste nabavili ima odgovarajuće dimenzije u odnosu na zonu u kojoj ste ga odlučili postavljati.
- Izvadite aktivni/e karbonski/e filter/e ukoliko je/su priložen/i (konsultujte paragraf koji se odnosi na to). Istog/e treba da ponovo postavite samo ako želite da koristite kuhinjsku napu u filtracijskoj verziji.
- Kontrolišite da se u unutrašnjosti kuhinjske nape ne nalazi popratni materijal (na primer kese sa vjercima, garancije itd. koje su stavljene unutra zbog jednostavnijeg transporta, eventualno ih uklonite i sačuvajte).
- Ukoliko je moguće rasklopite i uklonite kuhinjski nameštaj koji se nalazi ispod mesta na kojem će se postavljati napa na način da imate jednostavniji pristup plafonu/zidu na kojem/oj će se montirati kuhinjska napa. U suprotnom slučaju zaštitite što je bolje moguće sve delove koji bi se mogli oštetiti prilikom montaže. Pronađite i pokrijte zaštitnim materijalom jednu ravnu površinu na koju ćete položiti kuhinjsku napu i ostale popratne delove.
- Kontrolišite da u blizini zone postavljanja kuhinjske nape (a u zoni u kojoj će biti mogućipristup i posle instalacije kuhinjske nape) postoji električna utičnica i da je moguće povezivanje sa uređajem za izbacivanje dima napolje (samo Usisna verzija).
- Obavite sve zidarske radove koji su potrebni (na pr.: instalacija električne utičnice i/ili rupe za prolaz izduvne cevi).

Kuhinjska napa je opremljena komadićima za pričvršćivanje koji su prikladni za skoro sve zidove/plafone. U svakom slučaju je potrebno da se obratite kvalifikovanom tehničaru kako bi proverio prikladnost materijala s obzirom na tip zida/plafona. Zid / plafon treba da bude dovoljno čvrst kako bi podnosio težinu kuhinjske nape.

## FUNKCIONISANJE

Uključite veću brzinu u slučaju da se radi o velikoj koncentraciji pare u kuhinji. Savetujemo da se uključuisavanje vazduha 5 minuta pre nego što počnete sa kuvanjem i da ostavite uključeno usisavanje otprilike 15 minuta posle završetka kuvanja.

### WHI661STX, WHI641ST, WHI961STX, WHI961ST, WHT961STX, WHT941ST

T1	T2	T3	T4	T5	T6*	T7	T8	T8

Da biste izabrali funkcije aspiratora, dovoljno je da dodirnete dugmad za kontrolu.

**T1. Pasivni režim** (kontrolna tabla isključena – sve funkcije onemogućene) / **ON** (kontrolna tabla uključena)

**Napomena:** Nakon otprilike jedan minut nekorišćenja aspiratora (usisavanja i svetla), on će automatski da se prebaci u pasivni režim (stand by).

**T2. Svetla ON/OFF**



Samo za neke modele (**vidi crtež gore više**):

pritisnite više puta dok ne izaberete željenu jačinu svetala:

**L1:** slaba svetla

**L2:** srednja svetla

**L3:** jaka svetla

Pritisnite još jedanput da biste ugasili svetla.

### **T3. ON/OFF Automatski rad**

Aspirator automatski postavlja brzinu (snagu) usisavanja 2 koja će da se poveća ako uslovi životne sredine koje je detektirao senzor aspiratora to zahtevaju.

Ako se uslovi životne sredine ne promene, nakon 10 minuta (ako je aspirator već postavljen na brzinu (snagu) usisa 1), aspirator će da se isključi.

**Napomena:** Da bi ste osigurali pravilno korišćenje ove funkcije, potrebno je najpre da pokrenete "Podešavanje parametara za Automatski rad" (vidi odgovarajući stavak).

**Napomena:** U toku automatskog rada, ako korisnik pokreće druge funkcije za podešavanje brzine, funkcija automatske ventilacije će da se isključi.

### **T4. Ručno biranje brzine (snage) usisavanja:**

**L4:** brzina (snaga) usisavanja 1

**L5:** brzina (snaga) usisavanja 2

**L6:** brzina (snaga) usisavanja 3

Pritisnite još jedanput da biste ugasili (OFF).

**Napomena:** ručno biranje ugasiće svaku drugu podešenu funkciju usisavanja.

### **T5. ON/OFF brzina (snaga) intenzivnog usisavanja "POWER BOOST" (tempirana)**

**Napomena:** Nakon 5 minuta rada, aspirator se vraća u prvotno stanje.

### **T6\*. (Samo za neke modele) ON/OFF brzine (snage) intenzivnog usisavanja "POWER BOOST x 2" (tempirana)**

**Napomena:** Nakon 5 minuta rada, aspirator će automatski da se vrati u prvotno stanje.

### **T7. ON/OFF režim "Izmena vazduha"**

Svakih 50 minuta neaktivnosti, automatski će da se uključi brzina (snaga) usisavanja 1 na 10 minuta.

### **T8. ON/OFF Odgođenog gašenja brzine (snage) usisavanja (otprilike 30 minuta)**

**Napomena:** ova funkcija je moguća za brzine koje mogu da se izaberu pritiskom na dugme T4.

### **T9. Pokazatelj i povratak u prvotno stanje zasićenja filtera**

Dugme se automatski uključuje i svetli bez prestanka kada treba da izvršite održavanje na filteru masnoće.

Dugme se automatski uključuje i treperi kada treba da izvršite održavanje na karbonskom filteru.

Posle izvršenja održavanja, dok je aspirator isključena a dugme aktivno, pritisnite dugme na duže od 3 sekunda da bi ste vratili indikator zasićenja filtera u prvotno stanje, ponovite operaciju ako je potrebno (na primer, ako su oba filtera bila zasićena).

#### **Aktiviranje indikatora zasićenja karbonskog filtera**

Indikator zasićenja karbonskog filter normalno je isključen. Da bi ga aktivirali, postupite na sledeći način:

Uključite ekran (ON) i isključite usisavanje (OFF), pritisnite u isto vreme dugmad **T8** i **T9** na duže od 3 sekunda, dugme T9 će da se uključi i da svetli bez prestanka otprilike 5 sekunda da pokaže da je aktivisanje bilo uspešno.

Da deaktivirate, ponovite operaciju, dugme **T9** će da treperi otprilike 5 sekunda da pokaže da je deaktivisanje bilo uspešno.

### **Podešavanje parametara za Automatski rad**

Kako bi osigurali pravilan automatski rad, treba da izvršite "Kalibraciju aspiratora" i "Izbor grejaće ploče".

#### **Kalibracija aspiratora**

Uključite ekran (ON) i isključite usisavanje (OFF), pritisnite u isto vreme dugmad **T4** i **T5** na 5 sekunda.

Brzina (snaga) usisavanja 2 će da se uključi a dugme **T4** treperi da pokaže da je počela kalibracija aspiratora, koja će da potraje otprilike 15 minuta.

**Napomena:** da prekinete kalibraciju, pritisnite dugme **T4** na 5 sekunda; kalibracija je poništena i mora da se ponovi.

## Izbor grejaće ploče

Uključite ekran (ON) i isključite usisavanje (OFF), pritisnite dugme **T3** na 5 sekunda.

**Model sa 2 stepena intenzivne snage T5 (POWER BOOST) i T6 (POWER BOOST x 2)**

Dugmad **T3**, **T5** i **T6** će da se uključe.

Pritisnite dugme **T5** u slučaju grejaće ploče na gas – dugme će da treperi da pokaže da ste uspešno izvršili izbor.

Pritisnite dugme **T6** u slučaju električne grejaće ploče - dugme će da treperi da pokaže da ste uspešno izvršili izbor.

**Model s 1 stepenom intenzivne snage T5 (POWER BOOST)**

Dugmad **T3**, **T7** i **T8** će da se uključe.

Pritisnite dugme **T7** u slučaju grejaće ploče na gas – dugme će da treperi da pokaže da ste uspešno izvršili izbor.

Pritisnite dugme **T8** u slučaju električne grejaće ploče - dugme će da treperi da pokaže da ste uspešno izvršili izbor.

## ODRŽAVANJE

**Upozorenje!** Pre bilo kakve operacije čišćenja ili održavanje, iskopčajte kuhinjsku napu od napajanja strujom na način da izvadite utikač iz utičnice ili tako da isključite opšti prekidač kuće ili stana.

### Čišćenje

Kuhinjska napa se mora često prati (barem toliko često koliko često održavate filter za uklanjanje masnoće), bilo iznutra bilo spolja. Za čišćenje koristite meku ovlaženu krpu i tečne neutralne deterdžente.

Izbegavajte upotrebu proizvoda koji grebu.

**NE UPOTREBLJAVAJTE ALKOHOL !**

**Upozorenje:** Nepoštovanje pravila o čišćenju aparata i pravila o zameni filtera povećava rizik od požara. Zato savetujemo da se pridržavate navedenih uputstava.

Otklanjamo bilo kakvu odgovornost za eventualna oštećenja izazvana na motoru, požar izazvan kao posledica nepravilnog održavanja ili od nepoštovanja navedenih upozorenja.

### Filter za uklanjanje masnoće

**Zadržava masne čestice koje su posledica kuvanja.**

Treba da se čisti jedan put na mesec sa neagresivnim deterdžentima, ručno ili u mašini za pranje posuđa na niskim temperaturama i uključujući kratak ciklus pranja.

Posle pranja u mašini za pranje posuđa metalni filter za uklanjanje masnoće može da izgubi boju (može da deluje isprano) ali njegove filtracijske karakteristike se neće nimalo promeniti.

Ako želite da izvadite filter za uklanjanje masnoće povucite ručicu za otkaćivanje koja ima oprugu.

### Aktivni karbonski filter (Samo za Filtracijsku Verziju)

**Zadržava neprijatne mirise koji su posledica kuvanja.**

Do zasićenja karbonskog filtera dolazi posle produžene upotrebe i zavisi od vrste kuhinje i od toga koliko često se prao filter za uklanjanje masnoće. U svakom je slučaju potrebno zameniti kartušu svaka 4 meseca.

NE može se prati ili obnavljati.

### Zamenjivanje Lampe

Kuhinjska napa je opremljena sistemom rasvete koja se bazira na LED tehnologiji.

LED garantuje optimalnu rasvetu, trajnost za 10 puta veću od tradicionalnih lampi i omogućuju uštedu električne energije za 90%.

Što se tiče njihove zamene obratite se tehničkom servisu.

## УК - ВИТЯЖНИЙ КОВПАК

**Чітко дотримуватися приведених в даному керівництві інструкцій.** Виробник знімає з себе всяку відповідальність за неполадки, збитки або пожежу, що може мати місце при використанні приладу внаслідок невиконання інструкцій, приведених в даному керівництві. Витяжний ковпак спроектований для всмоктування диму та пару, що утворюється під час приготування їжі та призначений лише для побутового використання.

**Кухонна витяжка може мати дизайн, що відрізняється від витяжки зображеної на малюнках цієї інструкції але в будь-якому випадку інструкції з монтажу, технічному обслуговування та експлуатації залишаються без змін.**

! Важливо зберегти ці інструкції для того, щоб можна було звернутися до них в будь-який час. У випадку продажу, передачі чи переїзду, переконатися в тому щоб інструкції були разом з виробом.

! Уважно прочитати інструкції: В них міститься важлива інформація з встановлення, використання та безпеки.

! Заборонено виконувати електричні чи механічні зміни у виробі чи у вивідних каналах.

! Перш ніж приступити до монтажу виробу перевірте чи всі компоненти не мають дефектів та не є пошкодженими.

У протилежному випадку звертатися в місце продажу та зупинити монтаж виробу.

**Примітка:** деталі, зазначені знаком "(\*)" постачаються по спеціальному замовленню лише до деяких моделей, або у випадку необхідності в закупці деталей, які не були поставлені.



### ПОПЕРЕДЖЕННЯ ПО БЕЗПЕЦІ

**Увага!** Не під'єднувати пристрій до електромережі поки установка повністю не завершена.

Перед виконанням будь-якої операції по чистці або ремонту, відключити ковпак від електромережі, виймаючи вилку або відключаючи основний вимикач приміщення.

Обладнання не призначено для використання з боку дітей або людей з обмеженими фізичними можливостями сприйняття або розумовими і з відсутністю досвіду і знань, за винятком випадків коли вони знаходяться під наглядом або навчені використовувати обладнання людиною, що відповідає за їх безпеку.

Не допускайте дітей до приладу без нагляду обладнання.

Не використовуйте витяжку, якщо решітка неправильно змонтована витяжний ковпак без правильно вмонтованої решітки!

Витяжка не повина використовуватись як опорна поверхня, лише у випадках коли ясно про це сказано.

В випадку використання витяжки разом з іншими пристроями на газі або інших горючих, приміщення має мати достатню вентиляцію. Повітря, що всмоктується не має бути направлено в витяжний канал, який використовується для викиду димів від роботи пристроїв на газі або інших горючих.

Суворо забороняється готувати удалити їжу під вогнем.

Використання вільного вогню є шкідливим для фільтрів і може викликати пожежу, отже необхідно уникати його використання у будь-якому випадку.

Смаження має відбуватися під контролем, щоб уникнути займання розігрітої олії.

Відкриті частини можуть сильно нагріватися коли використовуються разом з приладами для варіння.

Що ж стосується використання технічних правил та правил безпеки для викиду димів, то необхідно чітко дотримуватись нормативів, передбачених місцевими інстанціями.


Чищення витяжки має регулярно проводитися, як всередині, так і ззовні (НЕ МЕНШЕ ОДНОГО РАЗУ НА МІСЯЦЬ, в будь-якому випадку виконувати всі інструкції, що описані в цьому керівництві).

Недотримання норм очищення витяжки та заміни і очищення фільтрів може викликати ризик пожежі. не використовуйте і не залишайте без вірно вмонтованих ламп у зв'язку з можливим ризиком удару електричним струмом.

Не несеться жодної відповідальності за несправності, uszkodження та пожежі нанесені пристрою, що є наслідком недотримання порад, поданих в даній інструкції.

Даний виріб промаркований відповідно до Європейської директиви 2002/96/ЕС, утилізація електричного і електронного обладнання (WEEE). Забезпечуючи вірну утилізацію цього виробу, Ви допоможете попередити потенційні негативні наслідки для оточуючого середовища і здоров'я людини, котрі могли б мати місце в протилежному випадку.



Символ  на самому виробі або на супроводжуючому його документі вказує, що при утилізації цього виробу з ним не можна поводитися як зі звичайними побутовими відходами. Він має здаватися у відповідний пункт прийому електричного і електронного обладнання для подальшої утилізації. Здавання на злам повинно виконуватися згідно з місцевими правилами по утилізації відходів. Для більше детальної інформації про правила поводження з такими виробами, їх утилізації і переробки звертайтеся в місцеві органи влади, в службу по утилізації відходів, або в магазин, в якому Ви придбали даний виріб.

Прилад спроектовано, випробувано і виготовлено згідно з:

- Безпека: EN/IEC 60335-1; EN/IEC 60335-2-31, EN/IEC 62233.
- Експлуатаційні якості: EN/IEC 61591; ISO 5167-1; ISO 5167-3; ISO 5168; EN/IEC 60704-1; EN/IEC 60704-2-13; ISO 3741; EN 50564; IEC 62301.
- EMC: EN 55014-1; CISPR 14-1; EN 55014-2; CISPR 14-2; EN/IEC 61000-3-2; EN/IEC 61000-3-3.

Поради для правильної експлуатації та для зниження впливу на середовище: Вмикайте витяжку на мінімальну швидкість перед початком приготування їжі, і залишайте її працювати на декілька хвилин після закінчення приготування. Збільшуйте швидкість тільки у разі великої кількості диму і пару та використовуйте наддув тільки у крайніх випадках. Для підтримання високої ефективності видалення запахів, за необхідності, виконуйте заміну вугільного(-их) фільтру(-ів). Для підтримання високої ефективності фільтру жирів, за необхідності, виконуйте чистку фільтру(-ів) жирів. Використовуйте максимальний діаметр системи повітроводів, що вказаний у інструкції для оптимізації ефективності та мінімізації шуму.

**УВАГА!** Відсутність установлення гвинтів та деталей кріплення у відповідності до цих інструкцій може призвести до ризику електричного характеру.

## ВИКОРИСТАННЯ

Витяжка розроблена для роботи в режимі всмоктування, виводячи повітря назовні або в фільтруючому режимі з рециркуляцією повітря.



### Режим виводу

Пари виводяться назовні через вивідну трубу закріплену до фланця з'єднання.

Діаметр вивідної труби повинен відповідати діаметру з'єднувального кільця.

**Увага!** Вивідна труба не постачається і тому необхідно її придбати окремо.

В горизонтальній частині вивідна труба має бути трохи піднята (під кутом близько 10°) так щоб можна було швидше виводити повітря назовні.

Якщо витяжний ковпак має вугільні фільтри, то їх треба зняти.

Під'єднати ковпак до настінної вивідної труби та вивідного отвору з однаковим діаметром виходу повітря (з'єднуючий фланець).

Використання настінних вивідних труб та отворів з меншим діаметром приведе до зменшення ефективності всмоктування та значне збільшення рівня шуму.

Тому ми знімаємо з себе всяку відповідальність по вищесказаному! Використати якомога короткий витяжний канал.

! Використати витяжний канал з якомога найменшою кількістю поворотів (максимальний кут повороту: 90°).

! Уникати різких змін площі перерізу витяжного каналу.

! Використовувати канал з якомога гладенькою поверхнею.

! Матеріал витяжного каналу має відповідати нормативам.



### Режим рециркуляції

Втягнуте повітря знежирюється та очищується та знову повертається в приміщення. Для того, щоб використовувати ковпак у цьому режимі, необхідно встановити додаткову систему фільтрів з активованим вугіллям.

## ІНСТАЛЯЦІЯ

Відстань нижньої відчастини витяжки до посуду на кухонній плиті має бути не менше 50см, у випадку електричних плит, та 65см, у випадку газових та комбінованих плит.

Необхідно приймати до уваги відстані, якщо вказуються в інструкції з інсталяції газової плити.



### Під'єднання до електромережі

Напруга в електромережі має відповідати вказаним характеристикам на етикетці, яка знаходиться всередині витяжки. Якщо в комплект входить вилка під'єднання в електромережу, то слід під'єднати витяжку до розетки, що відповідає існуючим нормам та знаходиться в доступному місці, що можна виконати й після інсталяції. Якщо ж вилка не входить в комплект (пряме під'єднання в електромережу), або розетка не знаходиться в доступному місці, також і після інсталяції, то слід вмонтувати належний двох-полюсний вимикач, який забезпечить повне відключення від мережі в умовах перенапруги III категорії, в повній відповідності з правилами інсталяції.

**Увага!** перед тим як знову підключити витяжку до електромережі і перевірити правильність роботи, завжди контролюйте щоб шнур мережі був змонтований вірно.

Витяжний ковпак має спеціальний провід живлення; у випадку пошкодження проводу, замовте його у службі технічного обслуговування.

## Інсталяція

**Виріб має значну вагу, тому його переміщення й встановлення повинно виконуватися не менше як двома особами**

### Перед початком монтажу:

- Перевірте щоб розміри придбаного Вами виробу підходили до вибраного місця його монтажу.
- Зніміть вугільний фільтр/и якщо він/вони присутні (дивитись також відповідний розділ). Фільтр/и знову встановлюються якщо Ви хочете використовувати ковпак в режимі рециркуляції.
- Перевірити щоб всередині ковпака не залишалося предметів, поміщених туди на час його транспортування (наприклад, пакетиків з шурупами, листів гарантії і т.п.), якщо вони є, вийміть їх і збережіть.
- Якщо можливо, від'єднайте і відсуньте кухонні меблі, що знаходяться під ковпаком і навкруги зони його інсталяції, для забезпечення більш вільного доступу до стелі/стін де ковпак буде прикріплений. Якщо це неможливо якомога ретельніше захистіть меблі і інші предмети на час монтування. Виберіть рівну поверхню, накрійте її захисним покриттям і розмістіть на ній ковпак і деталі для кріплення.
- Також перевірте щоб поряд із зоною монтажу ковпака (в зоні, доступній також після монтажу ковпака) знаходилася мережева розетка і отвір для димоходу, який виводить дим на вулицю (лише в режимі відводу).
- Виконати всі необхідні роботи (наприклад: встановлення мережевої розетки і/або виконання отвору для димової труби).

В комплект витяжки входять шурупи для кріплення, розраховані на більшість типів стін/стелі. Проте необхідно звернутися до кваліфікованого техника для перевірки придатності матеріалів в залежності від типу стіни чи стелі. Стіна/стеля повинні бути достатньо міцними, щоб витримати вагу витяжки.

## ФУНКЦІОНУВАННЯ

Використовуйте інтенсивну швидкість у випадку особливо високої концентрації кухонних парів. Рекомендуємо включити витяжку за 5 хвилин до початку готування їжі і залишити його включеним на протязі 15 хвилин після закінчення готування їжі.

### WHI661STX, WHI641ST, WHI961STX, WHI961ST, WHT961STX, WHT941ST



Щоб вибрати функції витяжки достатньо легко доторкнутися команд.

- T1. Stand by** (панель контролю вимкнена – всі функції відключені) / **ВКЛ** (панель контролю включена)  
**Примітка:** Після однієї хвилини не використання витяжки (втягування і світло) вона автоматично повернеться в stand/by.
- T2 ВКЛ/ВИКЛ світло**  
Тільки в деяких моделях (**дивись малюнок зверху**):  
Натискати багато разів до вибору бажаної інтенсивності світла:  
**L1** : приглушене світло  
**L2** : середнє світло  
**L3** : яскраве світло  
Натиснути ще раз щоб виключити світло.
- T3 ВКЛ/ВИКЛ Автоматичного режиму роботи**  
Витяжка автоматично вибирає швидкість (потужність) втягування 1, якщо сенсори витяжки зареєструють умови при яких необхідне збільшення.  
Якщо відсутні зміни умов середовища, після 10 хвилин (якщо витяжка вже настроєна на швидкість (потужність) втягування 1), витяжка виключиться.  
**Примітка:** для правильного використання цієї функції спочатку виконати "**Установка параметрів Автоматичного режиму роботи**" (дивись відповідний параграф).  
**Примітка:** Якщо під час автоматичного режиму роботи користувач впливає на інші функції які регулюють швидкість, функція автоматично режиму роботи відключається.
- T4. Ручний вибір швидкості (потужності) втягування:**  
**L4** : швидкість (потужність) втягування 1  
**L5** : швидкість (потужність) втягування 2  
**L6** : швидкість (потужність) втягування 3  
Натиснути ще раз щоб виключити витяжку (ВИКЛ).  
**Примітка:** ручний вибір виключає будь яку іншу настроєну функцію яка відноситься до втягування.
- T5. ВКЛ/ВИКЛ швидкості (потужності) інтенсивного втягування "POWER BOOST"** (запрограмованого на час)  
**Примітка:** Після 5 хвилин роботи витяжка повернеться в попередній стан.
- T6\*. (Тільки в деяких моделях) ВКЛ/ВИКЛ швидкості (потужності) інтенсивного втягування "POWER BOOST x 2"** (запрограмованого на час)  
**Примітка:** Після 5 хвилин роботи витяжка повернеться в попередній стан.
- T7. ВКЛ/ВИКЛ спосіб роботи "Повітрообміну".**  
Кожних 50 хвилин роботи включиться швидкість (потужність) втягування 1 на 10 хвилин.
- T8. ВКЛ/ВИКЛ Уповільнене виключення швидкості (потужності) втягування (приблизно 30 хвилин)**  
**Примітка:** ця функція є в наявності для швидкостей, які вибираються за допомогою кнопки **T4**.
- T9. Індикатор і перезапуск насичення фільтрів**  
Кнопка включиться автоматично фіксованим світлом, коли необхідно провести обслуговування фільтру жирів.  
Кнопка включиться автоматично мигаючим світлом, коли необхідно провести обслуговування фільтру активованого вугілля.

Після проведення обслуговування, з виключеною витяжкою і активною кнопкою, натиснути кнопку більше ніж на 3 секунди щоб зробити перезапуск індикатора насичення фільтрів, повторити операцію якщо необхідно (наприклад якщо насичені обидва фільтри).

#### **Активізація індикатора насичення фільтру активованого вугілля**

Індикатор насичення фільтру активованого вугілля дезактивований. Щоб включити його потрібно дотримуватися прикладу:

З включеним дисплеєм (ВКЛ) і виключеним втягуванням (ВИКЛ) натиснути одночасно кнопки T8 і T9 на більше ніж 3 секунди, кнопка T9 включиться фіксованим світлом приблизно на 5 секунд, щоб показати активацію.

Щоб дезактивувати, повторити операцію, кнопка T9 буде мигати приблизно 5 секунд, щоб показати дезактивацію.

#### **Регулювання параметрів для Автоматичного режиму роботи**

З метою правильного автоматичного режиму роботи виконати "Калібровку витяжки" і "Вибір газової варочної поверхні".

##### **Калібровка витяжки**

З включеним дисплеєм (ВКЛ) і виключеним втягуванням (ВИКЛ), натиснути кнопку T4 на 5 секунд.

Швидкість (потужність) втягування 2 почне працювати і кнопка T4 мигає, показуючи що почалася калібровка витяжки, яка буде проходити приблизно 15 хвилин.

**Примітка:** щоб перервати калібровку натиснути T4 на 5 секунд; калібровка буде визнана недійсною і повинна буде повторитися.

##### **Вибір газової варочної поверхні**

З включеним дисплеєм (ВКЛ) і виключеним втягуванням (ВИКЛ), натиснути кнопку T3 на 5 секунд.

##### **Модель з 2 рівнями інтенсивної потужності T5 (POWER BOOST) і T6 (POWER BOOST x 2)**

Кнопки T3, T5 і T6 включаються.

Натиснути кнопку T5 у випадку газової варочної поверхні – кнопка мигає, щоб показати вибір що відбувся.

Натиснути кнопку T6 у випадку електричної варочної поверхні – кнопка мигає, щоб показати вибір що відбувся.

##### **Модель з 1 рівнем інтенсивної потужності T5 (POWER BOOST)**

Кнопки T3, T7 і T8 включаються.

Натиснути кнопку T7 у випадку газової варочної поверхні – кнопка мигає, щоб показати вибір що відбувся.

Натиснути кнопку T8 у випадку електричної варочної поверхні – кнопка мигає, щоб показати вибір що відбувся.

#### **Догляд**

**Увага!** Перед будь-якою операцією чистки чи обслуговування, від'єднайте витяжку від електромережі, витягуючи вилку або відключаючи головний вимикач житла.

#### **Чистка**

Витяжка має чиститись часто і як зовні так і в середині (по крайній мірі з такою ж періодичністю як і догляд за фільтрами для затримання жирів). Для чистки використовуйте спеціальну серветку, намочену нейтральним рідким миючим засобом.

Не використовуйте засоби що мають абразивні матеріали.

##### **НЕ ВИКОРИСТОВУЙТЕ СПИРТ!**

**Увага:** Не виконання правил чищення і заміни фільтрів може привести до ризику виникнення пожежі. Тому рекомендуємо дотримуватись приведених інструкцій.

Знімається всяка відповідальність в зв'язку з можливими ушкодженнями двигуна і пожежами, що виникли внаслідок невправного ремонту або не виконання вищеписаних попереджень.

#### **Фільтр затримки жирів**

**Затримує жирові сполучення, що виникають під час приготування їжі.**

Повинен чиститись один раз на місяць не сильнодіючими миючими засобами, вручну або в посудомийній машині при низькій температурі і з коротким циклом.

При митті в посудомийній машині металевий фільтр затримки жиру може втратити колір, але його характеристики з фільтрування жодним чином не зміняться.

Для зняття фільтру затримки жиру потягніть на себе пружинну ручку відчеплення фільтру.

### **Вугільний фільтр (тільки в режимі рециркуляції)**

**Вбирає неприємні запахи кухні.**

Перевірка вугільного фільтру на насичення проводиться після більш менш довгого періоду використання в залежності від типу кухні і регулярності очистки фільтру жирів. У будь-якому випадку необхідно замінити патрон максимум кожні чотири місяці.

НЕ підлягає миттю чи поновленню.

### **Заміна Ламп**

Витяжка обладнана системою освітлення на основі технології діодів (LED).

ДІОДИ забезпечують оптимальне освітлення, тривалість їх в 10 раз вища від звичайних лампочок та дають 90% економії електроенергії.

Щодо їх заміни звертайтеся до служби технічного обслуговування.



## DA-EMHÆTTE

Overhold venligst alle instruktioner i denne vejledning. Fabrikanten frasiger sig ethvert ansvar for eventuelle fejl, skader eller brande forårsaget af apparatet, men afledt af manglende overholdelse af instruktionerne i denne vejledning. Emhætten er beregnet til udsugning af røg og damp fra madlavning, og må kun benyttes til almindelig husholdning.

Emhætten kan have et andet udseende i forhold til modellen på tegningerne i denne vejledning. Vejledningen til brug, vedligeholdelse og installation er dog uændret.

! Det er vigtigt at opbevare denne vejledning, så man får mulighed for at læse den senere. Ved viseresalg, overdragelse eller flytning skal man sørge for, at vejledningen følger emhætten.

! Læs instruktionerne omhyggeligt: der findes vigtige oplysninger om installation, brug og sikkerhed.

! Der må ikke udføres elektriske eller mekaniske ændringer på emhætten eller på udslipsrørene.

! Undersøg at ingen komponenter er beskadiget, før apparatet installeres. Kontakt forhandleren og undlad at fortsætte med installationen, hvis der påvises beskadigelser.

**Bemærk:** Komponenter mærket med symbolet "(\*)" er ekstraudstyr, der kun leveres til visse modeller, eller er ikke-leverede komponenter, som således skal købes særskilt.



### ADVARSLER

**Pas på!** apparatet må ikke tilsluttes elnettet før installationen er helt tilendebragt.

Før der udføres nogen form for rengøring eller vedligeholdelse, skal emhætten afbrydes fra elnettet ved at trække stikket ud, eller ved at afbryde hovedafbryderen i hjemmet.

Ved alle installations- og vedligeholdelsesindgreb skal der bæres arbejdshandsker.

Apparatet må ikke benyttes af børn, eller af personer med nedsatte sanssevner eller mentale færdigheder, eller uden den nødvendige erfaring og kendskab, med mindre brugen sker under opsyn eller vejledning fra en person der har ansvaret for deres sikkerhed.

Børn skal holdes under opsyn, så de ikke får mulighed for at lege med emhætten. Emhætten må aldrig benyttes uden korrekt monteret rist!

Emhætten må ALDRIG benyttes som støtteoverflade, med mindre dette er udtrykkeligt tilladt.

Lokalet skal have tilstrækkelig ventilation, når køkkenemhætten anvendes samtidigt med andre apparater der forbrænder gas eller andre brændstoffer.

Den opsegude luft må ikke ledes ind i rør, der anvendes til udledning af røg fra apparater med forbrænding af gas eller af andre brændstoffer.

Det er strengt forbudt at flambere under emhætten.

Brug af åben ild er farligt for filtrene og kan medføre brand, og skal derfor altid undgås. Friturestegning skal ske under opsyn for at forhindre, at den overopvarmede olie bryder i brand.

De tilgængelige dele kan blive meget varme, når de benyttes sammen med apparater til madlavning.

Hvad angår de nødvendige tekniske forholdsregler og sikkerhedskrav for udledning af røg, skal alle regler fra de lokale myndigheder overholdes uden undtagelse.

Emhætten skal rengøres ofte, både indvendigt og udvendigt (MINDST EN GANG OM MÅNEDEN; overhold under alle omstændigheder angivelserne i kapitlet om vedligeholdelse i denne vejledning).

Manglende overholdelse af kravene for rengøring af emhætten, og for udkligning og rengøring af filtrene, medfører brandfare.

Emhætten må hverken benyttes eller efterlades uden korrekt indsatte lyspærer pga. fare for elektrisk stød.

Fabrikanten fralægger sig ethvert ansvar for eventuelle fejl, skader eller brand forårsaget af apparatet, men afledt af manglende overholdelse af instruktionerne i denne vejledning.

Dette apparat er mærket i overensstemmelse med det Europæiske Direktiv 2002/96/EC, Waste Electrical and Electronic Equipment (WEEE).

Elektrisk og elektronisk udstyr indeholder materiale, komponenter og stoffer, der kan være skadelige for menneskers sundhed og for miljøet, hvis kasseret elektrisk og elektronisk udstyr ikke håndteres korrekt.

Elektrisk og elektronisk udstyr er mærket med nedenstående overkrydsede skraldespand.



Den symboliserer, at elektrisk og elektronisk udstyr ikke må bortskaffes sammen med usorteret husholdningsaffald, men indsamles særskilt.

Alle kommuner har etableret indsamlingsordninger, hvor elektrisk og elektronisk udstyr gratis kan afleveres af borgerne på genbrugsstationer og andre indsamlingssteder eller bliver afhentet direkte fra husholdningerne. Nærmere information kan fås hos kommunens tekniske forvaltning.

Produktet er designet, testet og produceret i henhold til:

- Sikkerhed: EN/IEC 60335-1; EN/IEC 60335-2-31, EN/IEC 62233.
- Kapacitet: EN/IEC 61591; ISO 5167-1; ISO 5167-3; ISO 5168; EN/IEC 60704-1; EN/IEC 60704-2-13; ISO 3741; EN 50564; IEC 62301.
- EMC: EN 55014-1; CISPR 14-1; EN 55014-2; CISPR 14-2; EN/IEC 61000-3-2; EN/IEC 61000-3-3.

Forslag til korrekt anvendelse til reducere miljøbelastning: Indstil ON på emhættens laveste hastighed, når du begynder at lave mad og sluk den først et par minutter efter endt madlavning. Forhøj kun hastigheden ved meget røg og damp. Anvend kun boost hastigheden i tilfælde, hvor det er nødvendigt. Udskift kulfilteret/kulfiltrerne, når det er nødvendigt for at bibeholde udsugningseffektiviteten. Rens fedtfilteret/fedtfiltrerne, når det er nødvendigt for at bibeholde filtereffektiviteten. Anvend det største kabelsystemdiameter til optimering af effektiviteten og til minimering af støjen.

**PAS PÅ!** Manglende montering af skruer og fastgøringsanordninger i overensstemmelse med disse instruktioner, kan medføre elektrisk fare.

## BRUG

Emhætten er udviklet til brug i den sugende udgave med ekstern udledning eller i den filtrerende udgave med intern recirkulation.



### Sugende udgave

Dampen ledes udenfor vha. et aftræksrør fastgjort til samleflangen. Aftræksrørets diameter skal svare til diameteren på forbindelsesringen. Obs! Udledningsrøret leveres ikke, og skal købes.

På den vandrette del skal røret have en let stigning (cirka 10°) for at lette bortledning af luften udenfor lokalet. Hvis emhætten er udstyret med kulfiltre, skal disse filtre fjernes.

Tilslut emhætten til aftræksrør og aftrækskullet i væggen, som skal have en diameter, der passer til luftudsugningen (studsflange).

Hvis rør og hul har en mindre diameter, forringes udsugningskapaciteten og støjen øges betydeligt. Producenten fralægger sig ethvert ansvar i forbindelse hermed.

- ! Benyt et rør, der er så kort som muligt.
- ! Benyt et rør, der har så få kurver som muligt (max. vinkel på kurven: 90°).
- ! Undgå drastiske ændringer i rørets tværsnit.
- ! Benyt et rør med så glat en inderside som muligt.
- ! Rørets materialer skal være godkendt i henhold til reglerne.



### Filtrerende udgave

Den indsugede luft affedtes og lugten fjernes, før luften sendes tilbage i lokalet. For at benytte emhætten i denne udgave skal der monteres et supplerende filtreringssystem baseret på aktivt kul.

## INSTALLERING

Minimumsafstanden mellem kogegrejets støtteoverflade på komfuret og den nederste del af emhætten må ikke være under 50cm ved elektriske kogeplader, og ikke under 65cm ved gasblus eller komfurer med både gasblus og elektriske kogeplader. Hvis gaskomfurets vejledning angiver en større afstand, skal dette overholdes.



## Elektrisk tilslutning

Netspændingen skal svare til spændingen vist på typeskiltet internt i emhætten. Hvis emhætten er udstyret med et stik, skal emhætten tilsluttes en let tilgængelig stikkontakt, der er i overensstemmelse med de gældende standarder. Stikkontakten skal også være let tilgængelig efter installeringen. Hvis emhætten ikke er udstyret med et stik (direkte tilslutning til elnettet), eller hvis stikket ikke findes i et område, der også er let tilgængeligt efter installeringen, skal der monteres en topolet afbryderkontakt i overensstemmelse med standarderne, der sørger for fuld afbrydelse fra elnettet i tilfælde af forhold i overspændingskategori III, og i overensstemmelse med reglerne for elektriske installationer.

**Obs!** Undersøg altid, at netkablet er blevet monteret rigtigt, før emhættens kredsløb tilsluttes forsyningsnettet og der udføres kontrol af korrekt funktion.

Emhætten er udstyret med en speciel forsyningsledning; hvis denne ledning beskadiges, skal den bestilles hos den tekniske service.

## Montering

Produkt med meget stor vægt, flytning og montering af emhætten skal foretages af mindst to eller flere personer. Før installering:

- Undersøg at det købte produkt har passende dimensioner til det valgte installationssted.
- Fjern det/de aktive kulfilter/kulfiltre, hvis de leveres med emhætten (læs også det relevante afsnit). Dette/disse filter/filtre skal kun genmonteres, hvis man ønsker at anvende emhætten i den filtrerende udgave.
- Sørg for, at der ikke (af transportensyn) er tilhører internt i emhætten (for eksempel poser med skruer, garantier etc.); hvis dette er tilfældet, skal det fjernes og opbevares.
- Om muligt bør man afbryde og fjerne køkkenelementerne underneden og omkring området, hvor emhætten skal installeres, så man får lettere adgang til loftet/væggen, hvor emhætten monteres. Hvis det ikke er muligt at fjerne køkkenelementerne skal de beskyttes bedst muligt under installeringen. Vælg en plan overflade og tildæk den med et beskyttende underlag, hvor emhætten og de tilhørende komponenter kan lægges.
- Undersøg desuden, at der er en elektrisk stikkontakt til rådighed i nærheden af emhættens installationsområde (der også skal være tilgængelig efter montering af emhætten); desuden skal der forefindes en anordning til udledning af røg udenfor (kun den sugende udgave).
- Udfør alt nødvendigt murarbejde (fx installering af en elektrisk stikkontakt og/eller et hul til passage af udledningsrøret).

Emhætten er udstyret med fastgørings-murplugs, der passer til de fleste vægge/lofter. Det er dog nødvendigt at rådspørge sig med en kvalificeret tekniker for at sikre, at materialerne er egnede og passer til vægtypen/lofttypen. Væggen/loftet skal være tilstrækkelig robust til at bære emhættens vægt.

## FUNKTION

Benyt den højeste hastighed ved stor dampkoncentration i køkkenet. Det anbefales, at man tænder udsugningen 5 minutter før påbegyndelse af madlavning, og at udsugningen efterlades tændt i yderligere cirka 15 minutter efter afslutning af madlavningen.

### WHI661STX, WHI641ST, WHI961STX, WHI961ST, WHT961STX, WHT941ST

T1	T2	T3	T4	T5	T6*	T7	T8	T8

For at vælge mellem emhættens funktioner, er det nok at strejfe kommandotasterne.

**T1. Stand by** (kontrolpanelet er slukket – alle funktioner er deaktiveret) / **ON** (kontrolpanelet er tændt)

Bemærk: Efter ca. et minuts brug af emhætten (udsugning og lys) går denne automatisk tilbage på stand/by.

**T2. ON/OFF lys**

**Kun på visse modeller (se tegningen øverst):** tryk flere gange og vælg den ønskede lysstyrke:

**L1:** svagt lys

**L2:** mellem stærkt lys

**L3:** stærkt lys

Tryk igen for at slukke lysene.

### **T3. ON/OFF Automatisk funktion**

Emhætten indstiller automatisk hastigheden (styrken) udsugning 1 så den stiger, hvis forhold fra emhættens sensorer kræver det.

Når der ikke er variation i forholdene, slukker emhætten efter 10 min. (hvis emhætten allerede er på hastighed (styrke) udsugning 1)

**Bemærk:** for korrekt brug af denne funktion, følg først "Forordning af parametre for automatisk funktion" (se paragraf).

**Bemærk:** Hvis brugeren justerer på andre funktioner, der regulerer hastighed under automatisk funktion, vil autoventilationen deaktiveres.

### **T4. Manuelt valg af hastighed (styrke) udsugning:**

**L4:** hastighed (styrke) udsugning 1

**L5:** hastighed (styrke) udsugning 2

**L6:** hastighed (styrke) udsugning 3

tryk igen for at slukke emhætten (OFF).

**Bemærk:** det manuelle valg udelukker enhver anden valgt funktion hvad angår udsugning.

### **T5. ON/OFF hastighed (styrke) intensiv udsugning "POWER BOOST" (tidsindstillet)**

**Bemærk:** Efter 5 minutter går emhætten tilbage til den forrige funktion.

### **T6\*. (Kun på visse modeller) ON/OFF hastighed (styrke) intensiv udsugning "POWER BOOST x 2" (tidsindstillet)**

**Bemærk:** Efter 5 minutter går emhætten tilbage til den forrige funktion.

### **T7. ON/OFF "Luft udskiftning"**

Hver 50'ende minut af inaktivitet tænder hastigheden (styrke) udsugning 1 i 10 minutter.

### **T8. ON/OFF Senere slukning hastighed (styrke) udsugning (circa 30 minutter)**

**Bemærk:** denne funktion er mulig for de valgte hastigheder med knappen **T4**.

### **T9. Valg og reset af filtermætning**

Knappen tænder automatisk og lyser, når det er nødvendigt at rense fedtfilteret. Knappen tænder automatisk og lyset blinker, når det er nødvendigt at rense kulfilteret.

Når rengøringen er foretaget ved slukket emhætte og aktiv knap, hold knappen nede i mindst 3 sekunder for at udføre reset af valg af filtermætning, gentag om nødvendigt (for eksempel hvis begge filtre skal renses).

#### **Aktivering af kulfiltermætning**

Indikatoren for kulfiltermætning er normalt deaktiveret. For at aktivere den, foretag følgende:

Ved tændt display (ON) og slukket udsugning (OFF) hold samtidig knapperne **T8** og **T9** nede i mindst 3 sekunder, knappen **T9** tænder og lyser i ca. 5 sekunder for at vise den valgte funktion.

For at deaktivere gentages handlingen. Knappen **T9** blinker i ca. 5 sekunder for at vise den valgte funktion.

### **Forordning af parametre for automatisk funktion**

Ved endt korrekt brug af automatisk funktion følg "Kalibrering af emhætten" og "Valg af af kogeplade".

#### **Kalibrering af emhætten**

Ved tændt display (ON) og slukket udsugning (OFF), hold knappen **T4** nede i 5 sekunder.

Hastigheden (styrken) udsugning 2 begynder at virke og knappen **T4** blinker for at indikere, at kalibrering af emhætten er begyndt, hvilket varer ca. 15 minutter.

**Bemærk:** for at afbryde kalibreringen, hold knappen **T4** nede i 5 sekunder; kalibreringen er ugyldig og skal derfor gentages.

#### **Valg af kogeplade**

Ved tændt display (ON) og slukket udsugning (OFF), hold knappen **T3** nede i 5 sekunder.

#### **Model med 2 levels af intensiv styrke T5 (POWER BOOST) og T6 (POWER BOOST x 2)**

Knapperne **T3**, **T5** og **T6** tænder.

Tryk på knappen **T5** ved gasblus – knappen blinker for at vise den valgte funktion.

Tryk på knappen **T6** ved elkogeplader – knappen blinker for at vise den valgte funktion.

#### **Model med 1 level af intensiv styrke T5 (POWER BOOST)**

Knapperne **T3**, **T5** og **T8** tænder.

Tryk på knappen **T7** ved gasblus – knappen blinker for at vise den valgte funktion.

Tryk på knappen **T8** ved elkogeplader – knappen blinker for at vise den valgte funktion.

## VEDLIGEHODELSE

**Obs!** Inden der udføres nogen form for rengøring eller vedligeholdelse skal emhætten afbrydes fra elnettet ved at fjerne stikket fra stikkontakten, eller ved at afbryde hjemmets hovedafbryder.

### Rengøring

Emhætten skal rengøres jævnligt både på ydersiden og på indersiden (mindst med samme frekvens som for vedligeholdelse af fedtfilterne). Ved rengøring skal man anvende en klud fugtet med neutrale, milde rengøringsmidler i flydende form.

Undgå brug af produkter indeholdende slibemidler **BENYTT ALDRIG SPRIT!**

**Pas på:** Manglende overholdelse af vejledningen til rengøring af apparatet og udskiftning af filterne medfører brandfare. Der henstilles således til, at instruktionerne følges.

Fabrikanten frasiger sig ethvert ansvar for eventuel beskadigelse af motoren, brande forårsaget af utilstrækkelig vedligeholdelse af apparatet eller manglende overholdelse af ovenstående instruktioner.

### Fedtfilter

**Tilbageholder de fedtpartikler, der dannes under tilberedning af mad.**

Fedtfilteret skal rengøres én gang om måneden med milde rengøringsmidler; filteret kan også vaskes i opvaskemaskine ved lav temperatur og på et kort opvaskeprogram.

Ved vask i opvaskemaskinen kan metal-fedtfilteret blive misfarvet, men dette vil ikke have negativ indflydelse på dets filtrerende egenskaber.

Træk i fjederhåndtaget for at afmontere fedtfilteret.

### Kulfilter (kun den filtrerende udgave)

**Filteret opfanger lugt fra madlavning.**

Kulfilteret skal udskiftes hver 4. Måned, hvis emhætten ikke benyttes intensivt, eller oftere. Kulfilteret kan IKKE vaskes eller genanvendes.

### Udskiftning af lyspærrerne

Emhætten er udstyret med et belysningsystem baseret på lysdiode-teknologi.

Lysdioderne sikrer optimal belysning, holdbarhed op til 10 gange længere end almindelige pærer, og de giver mulighed for at spare 90% elektricitet.

Ved udskiftning bedes man kontakte den tekniske servicetjeneste.

## DE - DUNSTABZUGSHAUBE

**Die Anweisungen, die in diesem Handbuch gegeben werden, müssen strikt eingehalten werden.** Es wird keinerlei Haftung übernommen für mögliche Mängel, Schäden oder Brände der Dunstabzugshaube, die auf die Nichtbeachtung der Vorschriften in diesem Handbuch zurückzuführen sind. Die Dunstabzugshaube wurde für die Absaugung der beim Kochen entstehenden Dünste und Dämpfe entwickelt. Sie ist nur für den Hausgebrauch geeignet.

**Die Dunstabzugshaube kann anders aussehen als auf den Abbildungen in der vorliegenden Bedienungsanleitung. Die Bedienungsanleitungen, die Wartung und die Installation sind aber gleich.**

- ! Die Bedienungsanleitung muss aufbewahrt werden, damit jederzeit ein Nachschlagen möglich ist. Bei Verkauf, Abtretung oder Umzug muss die Bedienungsanleitung immer beim Produkt bleiben.
- ! Die Bedienungsanleitung muss aufmerksam gelesen werden, da sie wichtige Informationen über Installation, Gebrauch und Sicherheit enthält.
- ! Es dürfen keine elektrischen oder mechanischen Änderungen am Gerät oder an den Abluftleitungen vorgenommen werden.
- ! Vergewissern Sie sich vor der Installation, dass das Gerät keine Transportschäden aufweist. Bei auftretenden Problemen setzen Sie sich bitte mit Ihrem Händler in Verbindung.

**Hinweis:** Die mit dem (\*) gekennzeichneten Teile sind Zubehörteile, die nur bei einigen Modellen im Lieferumfang enthalten sind oder Teile, die nicht im Lieferumfang enthalten sind, und somit extra erworben werden müssen.



### WARNUNG

**Achtung!** Das Gerät nicht an das Stromnetz anschließen, solange die Installation noch nicht abgeschlossen ist.

Vor Beginn sämtlicher Reinigungs- oder Wartungsarbeiten muss das Gerät durch Ziehen des Steckers oder Betätigen des Hauptschalters der Wohnung vom Stromnetz getrennt werden.

Bei allen Installations- und Instandhaltungsarbeiten immer Schutzhandschuhe tragen. Kinder nicht mit dem Gerät spielen lassen.

Erwachsene und Kinder dürfen nie unbeaufsichtigt das Gerät benutzen, – wenn sie körperlich oder geistig dazu nicht in der Lage sind, – oder wenn ihnen Wissen und Erfahrung fehlen, das Gerät richtig und sicher zu bedienen. Die Dunstabzugshaube niemals ohne korrekt montiertes Gitter in Betrieb setzen!

Die Dunstabzugshaube darf NIEMALS als Abstellfläche verwendet werden, sofern dies nicht ausdrücklich angegeben wird. Der Raum muss über eine hinreichende Belüftung verfügen, wenn die Dunstabzugshaube mit anderen gas- oder brennstoffbetriebenen Geräten gleichzeitig verwendet wird.

Bei gleichzeitigem Betrieb der Dunstabzugshaube im Abluftbetrieb und gas- oder brennstoffbetriebenen Geräten darf im Aufstellraum gas- oder brennstoffbetriebenen Geräten der Unterdruck nicht größer als 4 Pa (4 x 10<sup>-5</sup> bar) sein.

Die angesaugte Luft darf nicht in Rohre geleitet werden, die für die Ableitung der Abgase von gas- oder brennstoffbetriebenen Geräten genutzt werden.

Es ist strengstens verboten, unter der Haube mit offener Flamme zu kochen.

Eine offene Flamme beschädigt die Filter und kann Brände verursachen und muss deshalb strikt vermieden werden. Das Frittieren muss unter Aufsicht erfolgen, um zu vermeiden, dass das überhitzte Öl Feuer fängt.

Zugängliche Teile können beim Gebrauch mit Kochgeräten heiß werden.

In Bezug auf technische Maßnahmen und Sicherheitsmaßnahmen für die Ableitung der Abluft sind die Vorschriften der zuständigen örtlichen Behörden strengstens einzuhalten.

Die Haube muss regelmäßig innen und außen gereinigt werden (MINDESTENS EINMAL IM MONAT, diesbezüglich sind in jedem Fall die ausdrücklichen Angaben in der Wartungsanleitung dieses Handbuchs zu beachten).

Eine Nichtbeachtung der Vorschriften zur Reinigung der Haube sowie zum Auswechseln und Reinigen der Filter führt zu Brandgefahr.

Um das Risiko eines Stromschlages zu vermeiden, darf die Dunstabzugshaube ohne richtig eingesetzte Lampen nicht betrieben werden.


Es wird keinerlei Haftung übernommen für Fehler, Schäden oder Brände des Gerätes, die durch Nichteinhaltung der in diesem

Handbuch aufgeführten Anweisungen verschuldet wurden.

In Übereinstimmung mit den Anforderungen der Europäischen Richtlinie 2002/96/EG über Elektro- und Elektronik-Altgeräte (WEEE) ist vorliegendes Gerät mit einer Kennzeichnung versehen.

Sie leisten einen positiven Beitrag für den Schutz der Umwelt und die Gesundheit des Menschen, wenn Sie dieses Gerät einer gesonderten Abfallsammlung zuführen. Im unsortierten Siedlungsmüll könnte ein solches Gerät durch unsachgemäße Entsorgung negative Konsequenzen nach sich ziehen.



Auf dem Produkt oder der beiliegenden Produktdokumentation ist folgendes Symbol  einer durchgestrichenen Abfalltonne abgebildet. Es weist darauf hin, dass eine Entsorgung im normalen Haushaltsabfall nicht zulässig ist. Entsorgen Sie dieses Produkt im Recyclinghof mit einer getrennten Sammlung für Elektro- und Elektronikgeräte. Die Entsorgung muss gemäß den örtlichen Bestimmungen zur Abfallbeseitigung erfolgen.

Bitte wenden Sie sich an die zuständigen Behörden Ihrer Gemeindeverwaltung, an den lokalen Recyclinghof für Haushaltsmüll oder an den Händler, bei dem Sie dieses Gerät erworben haben, um weitere Informationen über Behandlung, Verwertung und Wiederverwendung dieses Produkts zu erhalten.

Gerät entwickelt, getestet und hergestellt nach:

1. Safety: EN/IEC 60335-1; EN/IEC 60335-2-31, EN/IEC 62233.
2. Performance: EN/IEC 61591; ISO 5167-1; ISO 5167-3; ISO 5168; EN/IEC 60704-1; EN/IEC 60704-2-13; ISO 3741; EN 50564; IEC 62301.
3. EMC: EN 55014-1; CISPR 14-1; EN 55014-2; CISPR 14-2; EN/IEC 61000-3-2; EN/IEC 61000-3-3.

Empfehlungen für eine korrekte Verwendung, um die Umweltbelastung zu verringern: Schalten Sie Haube beim Kochbeginn bei kleinster Geschwindigkeit EIN und lassen Sie die Haube einige Minuten nachlaufen, wenn Sie mit dem Kochen fertig sind. Erhöhen Sie die Geschwindigkeit nur bei großen Mengen von Kochdunst und Dampf und benutzen Sie die Intensivstufe(n) nur bei extremen Situationen. Wechseln Sie die Kohlefilter, wenn notwendig, um eine gute Geruchsreduzierung zu gewährleisten. Säubern Sie die Fettfilter, wenn notwendig, um eine gute Fettfilterungseffizienz zu gewährleisten. Verwenden Sie den in der Gebrauchsanweisung angegebenen grössten Durchmesser des Luftaustrittsystems, um die Leistungsfähigkeit zu optimieren und die Geräuschentwicklung zu minimieren.

**WARNING!** Erfolgt die Installation der Schrauben oder Befestigungsvorrichtungen nicht entsprechend den vorliegenden Anweisungen, führt dies zu Gefahr durch Stromschlag.

## BETRIEBSART

Die Haube kann sowohl als Abluftgerät als auch als Umluftgerät eingesetzt werden.



### Abluftbetrieb

Die Luft wird mit Hilfe eines Rohrs ins Freie geleitet, das am Abluftstutzen angebracht wird. Das Abluftrohr wird nicht mitgeliefert und muss separat erworben werden.

Das Abluftrohr muss den gleichen Durchmesser wie der Abluftstutzen aufweisen.

Das Abluftrohr auf den waagrechten Strecken leicht nach oben geführt werden (ca. 10%), damit die Luft ungehindert ins Freie abgeleitet werden kann.

Hinweis: Sollte die Dunstabzugshaube mit Aktivkohlefilter versehen sein, so muss dieser entfernt werden.

Die Dunstabzugshaube an Abluftrohre und Abluftöffnungen in der Wand anschließen, die den gleichen Durchmesser haben wie der Abluftstutzen (Anschlussflansch).

Die Benutzung von Rohren und Abluftöffnungen mit geringerem Durchmesser verursacht eine Verringerung der Abluftleistung und eine drastische Zunahme der Geräuschentwicklung.

Bei Nichtbeachtung der Anweisungen übernimmt der Hersteller keine Haftung.

! Ein möglichst kurzes Rohr verwenden.

- ! Ein Rohrsystem mit einer möglichst geringen Anzahl von Krümmungen verwenden (max. Winkel der Krümmung: 90°).
- ! Starke Änderungen des Rohrdurchmessers sind zu vermeiden.
- ! Die Innenfläche der Rohrs muss so glatt wie möglich sein.
- ! Verwenden Sie ausschließlich Rohre aus zugelassenen Materialien.



### Umluftbetrieb

Es muss ein Aktivkohlefilter verwendet werden, der im Fachhandel erhältlich ist.

Der Aktivkohlefilter reinigt die angesaugte Luft von Fettpartikeln und Kochdünsten, bevor diese durch das obere Gitter in die Küche zurückströmt.

### BEFESTIGUNG

Der Abstand zwischen der Abstellfläche auf dem Kochfeld und der Unterseite der Dunstabzugshaube darf 50cm im Fall von elektrischen Kochfeldern und 65cm im Fall von Gas- oder kombinierten Herden nicht unterschreiten.

Wenn die Installationsanweisungen des Gaskochgeräts einen größeren Abstand vorgeben, ist dieser zu berücksichtigen.



### Elektrischer Anschluss

Die Netzspannung muss der Spannung entsprechen, die auf dem Betriebsdatenschild im Innern der Haube angegeben ist. Sofern die Haube einen Netzstecker hat, ist dieser an zugänglicher Stelle an eine den geltenden Vorschriften entsprechende Steckdose nach der Montage anzuschließen. Bei einer Haube ohne Stecker (direkter Netzanschluss) oder falls der Stecker nicht zugänglich ist, ist ein normgerechter zweipoliger Schalter nach der Montage anzubringen, der unter Umständen der Überspannung Kategorie III entsprechend den Installationsregeln ein vollständiges Trennen vom Netz garantiert.

Hinweis! Vor der Inbetriebnahme muss sichergestellt werden, dass die Netzversorgungsleitung (Steckdose) ordnungsgemäß montiert wurde.

Die Dunstabzugshaube ist mit einem Spezialkabel ausgestattet. Sollte das Kabel beschädigt werden, muss beim Kundendienst Ersatz angefordert werden.

### Montage

Aufgrund des schweren Gewichtes sind mindestens zwei oder noch mehr Personen zur Beförderung und Installation der Abzugshaube erforderlich.

Bevor Sie mit der Montage beginnen:

- Überprüfen Sie, dass das erstandene Produkt von der Größe her dem Bereich entspricht, in dem es angebracht werden soll.
- Entfernen Sie den/die Aktivkohlefilter (\*), falls vorhanden (siehe hierzu auch den entsprechenden Absatz "Wartung"). Der/die Aktivkohlefilter wird/werden nur wieder in die Dunstabzugshaube eingesetzt, wenn diese im Umluftbetrieb verwendet werden soll.
- Vergewissern Sie sich, dass sich im Inneren der Dunstabzugshaube (aus Transportgründen) kein im Lieferumfang enthaltenes Material (zum Beispiel Tütchen mit Schrauben (\*), die Garantie (\*), usw.) befindet; falls vorhanden, entfernen Sie dieses und heben Sie sie auf.
- Falls möglich, entfernen Sie die Möbel unter und um die Dunstabzugshaube herum, um besseren Zugriff auf die hintere Wand/Decke zu haben, wo die Haube angebracht wird. Sonst legen Sie bitte eine Schutzabdeckung auf die Kochplatte, Arbeitsfläche, sowie die Möbel und Wände, um sie vor Schäden oder Schmutz zu schützen. Wählen Sie eine ebene Oberfläche, um die Einheit zusammenzubauen. Decken Sie diese Oberfläche mit einer Schutzfolie ab und legen Sie die Dunstabzugshaube sowie alle im Lieferumfang enthaltenen Teile darauf.
- Vergewissern Sie sich zudem, dass in der Nähe der Fläche, an der die Dunstabzugshaube angebracht werden soll (eine Fläche, die auch nach der Montage der Dunstabzugshaube weiter zugänglich sein muss), eine Steckdose vorhanden ist und es möglich ist, die Dunstabzugshaube an eine Vorrichtung zum Ableiten der Dämpfe ins Freie anzuschließen (nur Abluftbetrieb).



- Führen Sie alle notwendigen Arbeiten durch (z.B.: Einbau einer Steckdose und/oder Anbringen eines Loches für den Durchgang des Abluftrohres).

Die Abzugshaube ist mit Dübeln ausgestattet, die für die meisten Wände/Decken geeignet sind. Trotzdem sollte ein qualifizierter Techniker hinzugezogen werden, der entscheidet, ob die Materialien für die jeweilige Wand/Decke geeignet sind. Außerdem muß die Wand/Decke das Gewicht der Abzugshaube tragen muss.

## BETRIEB

Bei starker Dampfentwicklung die höchste Betriebsstufe einschalten. Es wird empfohlen, die Dunstabzugshaube schon fünf Minuten vor Beginn des Kochvorganges einzuschalten und sie nach dessen Beendigung noch ungefähr 15 Minuten weiterlaufen zu lassen.

### WHI661STX, WHI641ST, WHI961STX, WHI961ST, WHT961STX, WHT941ST



Um die Funktionen der Dunstabzugshaube zu wählen reicht es die Steuerelemente zu berühren.

- T1. Stand by** (Bedienfeld aus - alle Funktionen sind deaktiviert) / **ON** (Bedienfeld leuchtet)  
**Hinweis:** Nach etwa einer Minute der Nichtbenutzung geht die Haube (Saugfunktion und Lichter) automatisch in den Stand by.
- T2. ON/OFF Lichter**  
 Nur bei bestimmten Modellen (**siehe Abbildung oben**):  
 Drücken Sie mehrmals, um die gewünschte Lichtstärke zu wählen:  
**L1:** wenig Licht  
**L2:** normales Licht  
**L3:** viel Licht  
 Erneut drücken, um das Licht auszuschalten.
- T3. ON/OFF Automatischer Betrieb**  
 Die Haube wird automatisch die Geschwindigkeit (Leistung) der Saugfunktion 1 um diese zu erhöhen, wenn dies die vom Sensor der Haube erfassten Umgebungsbedingungen erfordern.  
 In Abwesenheit von Veränderungen der Umgebungsbedingungen, wird die Haube nach 10 Minuten (sofern die Dunstabzugshaube bereits in Geschwindigkeit (Leistung) der Saugfunktion 1 steht) ausgeschaltet.  
**Hinweis:** für die ordnungsgemäße Verwendung dieser Funktion zuvor die "Einstellung der Parameter für den automatischen Betrieb" aufführen (siehe entsprechenden Abschnitt).  
**Hinweis:** Im Automatikbetrieb, wenn der Benutzer auf andere Funktionen, die die Geschwindigkeit regulieren einwirkt, wird die automatische Lüftung ausgeschaltet.
- T4. Manuelle Auswahl der Saugfunktion-Geschwindigkeit (Leistung):**  
**L4:** Saugfunktion-Geschwindigkeit (Leistung) 1  
**L5:** Saugfunktion-Geschwindigkeit (Leistung) 2  
**L6:** Saugfunktion-Geschwindigkeit (Leistung) 3  
 Drücken Sie erneut, um das Gerät auszuschalten (OFF).  
**Hinweis:** Die manuelle Auswahl schließt alle anderen eingestellten Funktionen der Saugleistung aus.
- T5. ON/OFF Saugfunktions-Geschwindigkeit (Leistung) "POWER BOOST"** (Zeitgesteuert)  
**Hinweis:** Nach 5 Minuten läuft die Funktion der Dunstabzugshaube wieder in ihrem vorherigen Zustand.
- T6\*. (Nur bei einigen Modellen) ON / OFF intensive Saugfunktions-Geschwindigkeit (Leistung) "POWER BOOST x 2"** (Zeitgesteuert)  
**Hinweis:** Nach 5 Minuten läuft die Funktion der Dunstabzugshaube wieder in ihrem vorherigen Zustand.

## **T7. ON/OFF Modus "Luftwechsel"**

Alle 50 Minuten bei Inaktivität schaltet sich die Geschwindigkeit (Leistung) für 10 Minuten auf Saugfunktion 1.

## **T8. ON/OFF Verzögerte Abschaltung der Saugfunktions-Geschwindigkeit (Leistung) (ca. 30 Minuten)**

**Hinweis:** Diese Funktion steht für die wählbare Geschwindigkeit, durch Drücken der T4 Taste.

## **T9. Filtersättigungsanzeige und Reset**

Die Taste leuchtet automatisch bei stetigem Licht, wenn Wartungsarbeiten an der Fettfilter durchzuführen sind.

Die Taste leuchtet automatisch bei blinkendem Licht, wenn Wartungsarbeiten an der Kohlefilter durchzuführen sind. Nach der Durchführung von Wartungsarbeiten, mit ausgeschalteter Haube und eingeschalteten Tasten, drücken Sie die Taste länger als 3 Sekunden, um die Filtersättigung zurückzusetzen, bei Bedarf wiederholen (zum Beispiel, wenn beide Filter gesättigt sind).

### **Aktivierung der Kohlenfiltersättigungsanzeige**

Die Kohlenstofffiltersättigungsanzeige ist normalerweise ausgeschaltet. Um sie zu aktivieren, gehen Sie wie folgt vor: Die Anzeige auf (ON) und Absaugung aus (OFF), drücken Sie beide **T8** und **T9** für mehr als drei Sekunden, die Taste **T9** geht auf stetiges Licht für etwa 5 Sekunden, um eine erfolgreiche Aktivierung anzuzeigen.

Zum Deaktivieren wiederholen Sie den Vorgang, die Taste **T9** blinkt für etwa 5 Sekunden, um eine erfolgreiche Deaktivierung anzuzeigen.

## **Einstellen von Parametern für die automatische Funktion**

Um die ordnungsgemäße Verwendung des automatischen Laufs sicherzustellen, führen Sie das "Kalibrieren der Haube" und "Auswählen des Kochfelds" aus.

### **Kalibrierung des Haube**

Die Anzeige auf an (ON) und Absaugung auf aus (OFF) gestellt, drücken Sie die Taste **T4** für 5 Sekunden.

Die Geschwindigkeit (Leistung) Saugfunktion 2 beginnt zu arbeiten und die Taste **T4** blinkt, um anzuzeigen, dass die Kalibrierung der Haube, die für etwa 15 Minuten andauern wird, begonnen hat.

Hinweis: um die Kalibrierung zu stoppen, drücken Sie **T4** für 5 Sekunden; die Kalibrierung wird für ungültig erklärt werden und muss anschließend wiederholt werden.

### **Auswahl der Kochfeld**

Die Anzeige an (ON) und Absaugung aus (OFF) gestellt, drücken Sie die Taste **T3** für 5 Sekunden.

### **Modell mit 2 intensiven Leistungsniveau T5 (POWER BOOST) und T6 (POWER BOOST x 2)**

Die Tasten **T3**, **T5** und **T6** leuchten auf.

Drücken Sie die **T5** im Falle eines Gaskochfeld – die Taste wird blinken, um den ausgewählten Modus anzuzeigen. Drücken Sie die Taste **T6** im Fall von einem Elektroherd - die Taste wird blinken, um den ausgewählten Modus anzuzeigen

### **Modell mit 1 intensiven Leistungsniveau T5 (POWER BOOST)**

Die Tasten **T3**, **T7** und **T8** leuchten auf.

Drücken Sie die **T7** im Falle eines Gaskochfeld – die Taste wird blinken, um den ausgewählten Modus anzuzeigen. Drücken Sie die Taste **T8** im Fall von einem Elektroherd - die Taste wird blinken, um den ausgewählten Modus anzuzeigen.

## **WARTUNG**

**Hinweis!** Vor jeder Reinigung und Pflege ist die Dunstabzugshaube durch Ziehen des Netzsteckers oder Ausschalten der Sicherung stromlos zu machen.

## **Reinigung**

Die Dunstabzugshaube muss sowohl innen als auch außen häufig gereinigt werden (etwa in denselben Intervallen, wie die Wartung der Fettfilter). Zur Reinigung ein mit flüssigem Neutralreiniger getränktes Tuch verwenden. Keine Produkte verwenden, die Scheuermittel enthalten.

### **KEINEN ALKOHOL VERWENDEN!**

**Achtung:** Die Nichtbeachtung dieser Anweisungen zur Reinigung des Gerätes und zum Wechseln bzw. zur Reinigung der Filter kann zum Brand führen. Diese Anweisungen sind unbedingt zu beachten!

Der Hersteller übernimmt keine Haftung für Schäden gleich welcher Art am Motor oder Brandschäden, die auf eine

unsachgemäße Wartung oder Nichteinhaltung der oben angeführten Sicherheitsvorschriften zurückzuführen sind.

### **Fettfilter**

Diese dienen dazu, die Fettpartikel, die beim Kochen frei werden, zu binden.

Der Metallfettfilter muss einmal monatlich gewaschen werden. Das kann mit einem milden Waschmittel von Hand, oder in der Spülmaschine bei niedriger Temperatur und Kurzspülgang erfolgen. Der Metallfettfilter kann bei der Reinigung in der Spülmaschine abfärben, was seine Filtermerkmale jedoch in keiner Weise beeinträchtigt.

Zwecks Demontage der Fettfilter den Aushakgriff ziehen.

### **Aktivkohlefilter (nur bei der Umluftversion)**

Dieser Filter bindet die unangenehmen Gerüche, die beim Kochen entstehen.

Je nach der Benetzungsdauer des Herdes und der Häufigkeit der Reinigung des Fettfilters tritt nach einer mehr oder weniger langen Benutzungsdauer die Sättigung des Aktivkohlefilters auf. Auf jeden Fall muß der Filtereinsatz mindestens alle 4 Monate ausgewechselt werden.

Er kann NICHT gereinigt oder erneut aktiviert werden.

### **Ersetzen der Lampen**

Die Haube ist mit einem auf der Leuchtdiodentechnologie basierten Beleuchtungssystem ausgestattet.

Die LEDs ermöglichen eine optimale Beleuchtung der Kochfläche. Sie haben eine Leistungsdauer, die das Zehnfache derer der traditionellen Lichter ist und bieten eine Energieersparnis bis zu 90%.

Um die Leds mit neuen zu ersetzen, setzen Sie sich bitte mit dem Kundendienst in Verbindung.

### בעת הרכבת המכשיר יש לפעול בהתאם להנחיות המצוינות במדריך זה.

היצרן פוטר את עצמו מכל אחריות בגין נזקים שנבעו מהתקנה מנוגדת להוראות שצוינו במדריך זה. קולט האדים משמש לקליטת אדים במטבח והוא מיועד אך ורק לשימוש ביתי.

### הקולט יכול להיות שונה, מזה המוצג באיורים של מדריך זה, עם זאת ההנחיות אודות שימוש, תחזוקה והרכבה לא משתנים בגלל האמור.

**!** יש לשמור על מדריך למשתמש זה, על מנת שתוכל לעשות בו שימוש בכל עת. במקרה של מכירת המכשיר או שינוי דירה, יש לוודא שמדריך למשתמש צורף לקולט.

**!** יש לעיין בתוכן המדריך, אשר מספק מידע מדויק אודות התקנה, שימוש ותחזוקת המכשיר.

**!** אין לבצע שינויים במכשיר הן מהיבט החשמלי והן מהיבט המכני, או בכבלים המוליכים.

**!** לפני תחילת ההרכבה של המוצר, יש לבדוק האם אחד מהחלקים לא ניוזק. אם כן, יש ליצור קשר עם המוכר, ולהפסיק את ההרכבה.

**שים לב:** חלקים המסומנים בסימן (\*) נכללים רק בדגמים נבחרים, בשאר הדגמים יש לרכוש אותם בנפרד.



### אזהרות

**שים לב!** אין לחבר את המכשיר לרשת החשמל לפני גמר ההתקנה.

לפני ביצוע כל פעולת ניקוי או תחזוקה, יש לנתק את הקולט מהחשמל על ידי הוצאת השקע שלו מחשמל או ניתוק המתג הראשי של החשמל.

כל פעולות הרכבה או תחזוקה יש לבצע בכפפות מגן.

מכשיר דלעיל לא מיועד לשימוש של אנשים (כולל ילדים) עם מוגבלויות פיזיות, חושיות או נפשיות, וגם אנשים ללא ידע או ניסיון בשימוש במכשירים מסוג זה, אלא אם הם יהיו נתונים לפיקוח או יקבלו הוראות

בנוגע לשימוש במכשיר מאדם שאחראי לבטיחותם.

יש לפקח על ילדים בשביל לוודא שהם לא ישחקו במכשיר.

אף פעם אין לעשות שימוש בקולט, ללא מסננים שהותקנו כנדרש!

אף פעם אין להשתמש בקולט כאל משטח תמיכה, אלא אם הדבר צוין במפורשות.

חלל, שבו נעשה שימוש בקולט יחד עם מכשירי בעירת גז או דלק אחרים, צריך להיות מצויד באוורור מתאים.

אין להוציא את האוויר הנקלט החוצה לתעלות המיועדות לפליטת גזים על ידי מכשירים הפועלים על גז או דלק אחר.

אין להכין מתחת לקולט מנות תוך שימוש באש פתוחה.

שימוש באש פתוחה מסוכנת למסננים ומעלה את החשש לשריפה, ולפיכך אין להשתמש בה אף פעם. במהלך טיגון יש לשמור על זהירות, בשביל לא לאפשר התחממות יתרה של שמן, שתגרום לשריפה העצמית שלו.

החלקים הזמינים עלולים להתחמם מאוד, אם יעשה בהם שימוש יחד עם מכשירים המיועדים לבישול. בהיקשר לאמצעים טכניים והוראות בטיחות בהיקשר לפליטת עשן יש להקפיד למלא את ההוראות

שניתנו על ידי רשויות מקומיות מוסמכות.

יש לנקות את הקולט לעיתים תכופות הן בפנים והן בחוץ (לפחות פעם בחודש, תוך ביצוע ההוראות הקשורות לתחזוקה במדריך זה).


אי שמירה על הוראות הקשורות לניקוי הקולט, שינוי וניקוי של מסננים גורמת להיווצרות של סכנת שריפה.

על מנת להימנע מהתחשמלות, אין להשתמש או להשאיר את הקולט ללא נורות שהותקנו כנדרש. היצרן לא נושא בכל אחריות בגין נזקים או שריפות שנגרמו על ידי המכשיר עקב אי ציות להוראות שנרשמו במדריך זה.

למכשיר דלעיל סימון שמתאים לדירקטיבה של איחוד האירופאי שמספרה EC/2002/96 בעניין פסולת חשמלית ואלקטרונית (WEEE).

בהשמדה תקינה של מכשיר זה, אתם מונעים את ההשלכות השליליות האפשריות שיכולות להיגרם בהיקשר לסביבה ובריאות בני אדם, שיכולות להתקיים במקרה של השמדה בלתי תקינה של המכשיר.



סימן  על המכשיר או האריזה אומר, שלא ניתן להתייחס למוצר כאל פסולת רגילה. יש להעבירו לנקודת איסוף ומחזור מתאימה של מכשירי חשמל ואלקטרוניקה. מחזור וגריטה מתאימה עוזרת למנוע השלכות שליליות של הגריטה לסביבה ולבריאות. על מנת לקבל מידע מדויק אודות אפשרויות מחזור של מכשיר דלעיל, יש ליצור קשר עם עירייה המקומית, חברות לניקוי העיר או חנות, בה נרכש המוצר.

המכשיר תוכנן, נוסה ונוצר בהתאם לתנאים הנזכרים להלן:

בטיחות: EN/IEC 60335-1; EN/IEC 60335-2-31, EN/IEC 62233

יעילות: EN/IEC 60704-1; EN/IEC 60704-2-13; ISO 5167-1; ISO 5167-3; ISO 5168; EN/IEC 61591; ISO 3741; EN 50564; IEC 62301

EMC: EN 55014-1; CISPR 14-1; EN 55014-2; CISPR 14-2; EN/IEC 61000-3-2; EN/IEC 61000-3-3

המלצות הקשורות לשימוש תקין על מנת להקטין את ההשלכות על הסביבה:

יש להפעיל את הקולט במהירות עבודה מינימלית ברגע תחילת הבישול, ולהשאיר אותו פועל למשך מספר דקות אחרי גמר הבישול. יש להגדיל את מהירות העבודה רק במקרה של כמות גדולה של עשן או אדים ולהשתמש במהירויות גבוהות רק במצבים נדירים. במקרה הצורך יש לנקות/להחליף את מסנן/מסנני הפחם, על מנת לשמור על אפקטיביות טובה לניטור הריחות. במקרה הצורך יש לנקות את מסנן/מסנני השומנים, בשביל לשמור על יעילות של מסנן השומנים. יש להשתמש בקוטר המקסימלי של מערכת האוורור המצוינת במדריך זה, על מנת לשפר את היעילות ולהקטין את הרעשים.

**שים לב!** אי חיזוק ברגים ומכשירי תמיכה בהתאם להוראות מדריך זה, עלול לגרום לסכנות הקשורות לחשמל.

## שימוש

ניתן להשתמש במכשיר במצב של פליטת אוויר (הוצאה של אוויר החוצה) או במצב של סחרור אוויר

(האוויר מסונן ומוחזר בחזרה לחלל הפנימי).

### קולט במצב של פליטת אוויר



האוויר נשאב החוצה באמצעות צינור המחובר לתוך ראש המתאם. קוטר צינור הפליטה צריך להיות שווה לקוטר ראש המתאם. **שים לב!** צינור פליטה לא מסופק בחבילה עם המכשיר, ויש לרכשו בנפרד. מבחינה אופקית, לצינור אמורה להיות נטייה לכיוון למעלה (בערך 10°), על מנת להקל על זרימת האוויר החוצה. במידה והקולט מאובזר במסנן פחם, אזי יש להסירו. יש לחבר את הקולט לתעלת האוורור באמצעות צינור פליטה בקוטר המתאים לחתך היציאה מהקולט (ראש המתאם). שימוש בצינורות עם חתך נמוך יותר יגרום להקטנה של יכולת הקליטה, מה שיגדיל באופן משמעותי את רמת רעש העבודה של הקולט. אם כך, היצרן לא נושא בשום אחריות לגבי האמור. **!השתמש בצינור קצר ככל האפשר.** **!השתמש בצינור עם כמות קיפולים נמוכה ככל הניתן.** **!יש להימנע משינויים בחתך הצינור.** **!יש להשתמש בצינור עם מבנה פנימי חלק ככל האפשר.** **!חומר ממנו עשוי הצינור אמור להתאים לתקנים המחייבים.**

### קולט במצב של סחרור אוויר



על מנת להשתמש בקולט במצב זה יש להתקין את מסנן הפחם. ניתן לרכשו אצל המוכר. האוויר הנקלט מנוקה משומנים וריחות, לפני שהוא מוחזר לחלל הפנימי על ידי התעלות בחלק העליון של ארובת הקולט.

### התקנת קולט האדים

מרחק מינימלי בין שטח, שעליו ממוקמים הכלים על מכשיר החימום, לבין חלק הנמוך ביותר של קולט האדים, הוא לא פחות מ- 50 ס"מ – במקרה של כיריים חשמליים, ולא פחות מ- 65 ס"מ במקרה של כיריים הפועלים על גז או מסוגים משולבים. במידה ובהוראות התקנה של כיריים לגז נתון מרחק גדול יותר, מזה המצוין לעיל, יש לפעול לפי הנחיות בהוראות התקנה של הכיריים.

### חיבור חשמל



מתח חשמל צריך להתאים למתח המצוין על לוח שממוקם בחלק הפנימי של הקולט. במידה והקולט מאובזר בתקע, יש לחברו לשקע המתאים לדרישות המחייבות. השקע אמור להיות ממוקם במקום נגיש, גם לאחר סיום ההתקנה.

במידה והקולט לא מאובזר בתקע (חיבור ישיר לרשת החשמל) או שתקע לא נמצא במקום נגיש, גם לאחר ההתקנה, יש להתקין מפסק דו-קוטבי, אשר יאפשר ניתוק מוחלט מרשת החשמל בתנאי חשמל מתח יתר מקטגוריה III, בהתאם לכללי אינסטלציית החשמל.

**שים לב!** לפני חיבור חוזר של הקולט לרשת החשמל, ובדיקת תקינות פעילותו, יש לוודא שכבל החשמל הורכב כנדרש.

הקולט מאובזר בכבל חשמל מיוחד.

במקרה שבו כבל זה יינזק, יש להזמין במוקד לשירות טכני.

## הרכבת הקולט

### המכשיר כבד. העברה והרכבה של הקולט אמורה להתבצע על ידי שני אנשים לפחות.

#### לפני תחילת ההרכבה:

- תבדוק האם ממדים של המוצר שנרכש תואמים את המקום שבו יש להרכיב את המוצר.
- תפרק את מסנן הפחם (\*), במידה והקולט מאובזר בו (ראה פרק מתאים). יש להרכיב את המסנן שנית, רק במידה והקולט יעבוד במצב של סחרור אוויר.
- תבדוק האם בחלקים הפנימיים של הקולט לא נשארו (מסיבות הקשורות להובלה) חומרים נוספים שמסופקים יחד עם המכשיר (לדוגמא שקית עם ברגים (\*), כתב אחריות (\*), וכדומה), ואם כאלה ישנם הוצא אותם.

• במידה והדבר אפשרי, יש להוציא רהיטים שנמצאים ליד אזור ההתקנה, וזאת על מנת לקבל גישה נוחה יותר לתקרה/קירות, שעליהם אמור להיות מותקן הקולט. במידה והדבר לא אפשרי, יש לאבטח את הרהיטים וחלקים אחרים מפני נזק מקרי. יש לבחור משטח שטוח שעליו ניתן יהיה למקם את הקולט ואבזריו ולכסות אותו באמצעות ניילון.

• בנוסף, יש לבדוק האם ליד אזור ההתקנה של הקולט (במקום שזמין גם כן לאחר התקנת הקולט) ממוקם שקע חשמלי והאם ניתן לחבר את הקולט למכשיר שפולט את האוויר החוצה (רק במקרה שהקולט יפעל במצב של פליטת אוויר).

יש לבצע את כל עבודות הטיח הנדרשות (לדוגמא הרכבה של שקע החשמל ו/או פתח לתעלה האוויר).

הקולט מאובזר בברגים המתאימים לרוב הקירות והתקרות. למרות זאת צריך להתייעץ עם מקצוען מוסמך באשר להתאמת החומרים לסוגי הקירות או התקרה. הקיר או התקרה צריכים להיות חזקים מספיק, על מנת להחזיק את הקולט.

## הפעלה של קולט האדים

במקרה שבו האוויר בחדר המטבח מזוהם מאוד, יש להשתמש בקולט תוך שהוא פועל במהירות הגבוהה ביותר. מומלץ להפעיל את הקולט 5 דקות לפני תחילת בישול של כל מנה, ולהשאירו פועל למשך רבע שעה אחרי גמר הבישול.

על מנת לבחור פונקציה מסוימת של קולט האדים, יש ללחוץ בעדינות על הלחצנים.

T1	T2		T3	T4		T5	T6*	T7	T8	T9
Ⓜ	Ⓜ	————	Ⓜ <sup>A</sup>	Ⓜ	————	Ⓜ	Ⓜ	Ⓜ	Ⓜ <sup>30'</sup>	Ⓜ

**T1. מצב השהייה (Stand by)** (לוח הבקרה מכובה – כל הפונקציות אינן פעילות) / הפעלה (לוח

הבקרה יידלק)

**שים לב!** אחרי דקה של אי שימוש בקולט האדים (הקליטה והתאורה) הוא יחזור באופן אוטומטי למצב השהייה (stand by).

**T2. הפעלת/כיבוי התאורה**

**רק בדגמים נבחרים (ראה איור לעיל):**

כל פעם יש ללחוץ על עוצמת התאורה הרצויה:

**L1** : תאורה חלשה

**L2** : תאורה בינונית

**L3** : תאורה חזקה

יש ללחוץ שנית על מנת לכבות את התאורה.

**T3. הפעלה/כיבוי מצב אוטומטי**

הקולט מגדיר את מהירות הפליטה באופן אוטומטי לרמת פליטה 2, כשתנאי הסביבה שנתגלו על ידי חיישן הקולט דורשים זאת.

במקרה של חוסר שינויים בתנאי הסביבה, הקולט ייכבה אחרי 10 דקות (כשהקולט הגיע כבר לרמת פליטה 1).

**שים לב:** על מנת להבטיח פעילות תקינה של מצב זה, תחילה יש לבצע "הגדרת נתונים למצב אוטומטי" (ראה סעיף המתאים).

**שים לב!** במהלך מצב האוטומטי, כשהמשתמש ייעשה שימוש בפונקציות אחרות הקשורות להתאמת המהירות, מצב האוטומטי ייכבה.

**T4. בחירה ידנית של מהירות הקליטה**

**L4**: מהירות קליטה 1

**L5**: מהירות קליטה 2

**L6**: מהירות קליטה 3

יש ללחוץ שנית על מנת לכבות את המאוורר.

**שים לב!** בחירה ידנית מבטלת כל הגדרות שונות הקשורות לקליטה.

**T5. הפעלה/כיבוי של מהירות פליטה מוגברת "Power Boost" (מצב זמני)**

**שים לב!** אחרי 5 דקות הקולט יחזור לתצורה הקודמת.

**T6.\*. (רק בדגמים נבחרים) הפעלה/כיבוי של מהירות פליטה מוגברת "Power Boost x 2" (מצב זמני)**

**שים לב!** אחרי 5 דקות הקולט יחזור לתצורה הקודמת.

**T7. כיבוי/הפעלה של מצב "מחזור אוויר"**

כל 50 דקות של אי שימוש, נדלקת מהירות קליטה ברמה 1 למשך 10 דקות.

**T8. הפעלה/כיבוי של מצב השהייה הכיבוי (למשך של כ-30 דקות)**

**שים לב!** פונקציה זאת זמינה למהירויות עבודה שנבחרות באמצעות לחצן **T4**.



## **T9. מחוון ואיפוס של המסננים**

המחונן נדלק באופן אוטומטי (מחוון עם תאורה קבועה) כשיש לבצע פעולות הקשורות לתחזוקת מסנן השומנים.

המחונן נדלק באופן אוטומטי (מחוון עם תאורה מהבהבת) כשיש לבצע פעולות הקשורות לתחזוקת מסנן הפחם.

אחרי ביצוע פעולת התחזוקה, כשהקולט מכובה והמחונן פעיל, יש ללחוץ על המחונן למשך מעל 3 שניות, על מנת לאפס את מחוון מצב המסננים, ולחזור על הפעולה במידה והדבר דרוש (לדוגמא כשקיים צורך לשמור את שני המסננים).

### **הפעלה של מחוון מסנן הפחם**

מחוון מצב מסנן הפחם בברירת מחדל מכובה.

על מנת להפעילו, יש לפעול כדלקמן:

כשלוח הבקרה מופעל, והקליטה מכובה, יש ללחוץ בזמנית על הלחצנים **T8** ו-**T9** במשך מעל 3 שניות, דאז לחצן **T9 יואר בתאורה קבועה** למשך כ- 5 שניות על מנת לאשר את ביצוע פעולת ההפעלה. על מנת לכבות אותו, יש לחזור על הפעולה, לחצן **T9** יבהב במשך כ-5 שניות על מנת לאשר את ביצוע פעולת הכיבוי.

### **הגדרת נתונים למצב אוטומטי**

על מנת להבטיח פעילות תקינה של מצב אוטומטי יש לבצע את פעולת "כיול קולט האדים" ו- "בחירת סוג הכיריים לבישול".

### **כיול קולט האדים**

כשלוח הבקרה פעיל והקליטה מכובה, יש ללחוץ על לחצן **T4** למשך 5 שניות. מהירות קליטה 2 מתחילה לפעול, לחצן **T4** מתחיל להבהב, על מנת לציין את תחילת תהליך הכיול. תהליך הכיול יימשך כ- 15 דקות. **שים לב:** על מנת להפסיק את תהליך הכיול, לחץ על לחצן **T4** למשך 5 שניות; הכיול ייפסק ויהיה צורך להתחיל אותו מחדש.

### **בחירת סוג הכיריים לבישול**

כשלוח הבקרה פעיל והקליטה מכובה, יש ללחוץ על לחצן **T3** למשך 5 שניות.

**דגם עם שתי מהירויות של פליטה מוגברת (T5) Power Boost ו- (T6) Power Boost x2**

לחצני **T3, T5** ו-**T6** יידלקו.

יש ללחוץ על לחצן **T5** במקרה של כיריים לגז – הלחצן מהבהב על מנת לאשר את הבחירה.

יש ללחוץ על לחצן **T6** במקרה של כיריים חשמליים – הלחצן מהבהב על מנת לאשר את הבחירה.

**דגם עם מהירות אחת של פליטה מוגברת (T5) Power Boost**

לחצני **T3, T7** ו-**T8** יידלקו.

יש ללחוץ על לחצן **T7** במקרה של כיריים לגז – הלחצן מהבהב על מנת לאשר את הבחירה.

יש ללחוץ על לחצן **T8** במקרה של כיריים חשמליים – הלחצן מהבהב על מנת לאשר את הבחירה.

## **תחזוקה**

**שים לב!** לפני ביצוע כל פעולת ניקוי או תחזוקה, יש לנתק את הקולט מהחשמל על ידי הוצאת השקע שלו מחשמל או ניתוק המתג הראשי של החשמל.

### **ניקוי קולט האדים**

יש לנקות את קולט האדים לעיתים תכופות, הן בפנים והן מבחוץ (לפחות באותה תדירות כשל ניקוי מסנן השומנים), בעזרת מטלית לכה ובעזרת חומרי ניקוי עדינים. אין להשתמש בחומרי ניקוי שורטים.

### **אין להשתמש באלכוהול!**

**שים לב!** אי קיום הוראות הקשורות לניקוי המכשיר והחלפת מסננים ייגרם להיווצרות של סכנת שריפה. לפיכך מומלץ לקיים את ההוראות שנרשמו. היצרן לא נושא בכל אחריות בגין נזקי מנוע או שריפות שנובעות מאי קיום של הוראות התחזוקה והוראות הנזכרות לעיל.

### **מסנן שומנים**

#### **תפקידו לעצור חלקיקי שומן מבישול.**

יש לנקות אותו לפחות פעם בחודש בעזרת אמצעי ניקוי עדינים, באופן ידני או במדיח כלים, בטמפרטורה נמוכה ובמחזור שטיפה קצר. ניקוי מסנן שומנים ממתכת במדיח כלים עלול לגרום לשינויי צבע עדינים, עם זאת הדבר לא משפיע על אפקטיביות העבודה של המסנן. על מנת להוציא מסנן שומנים, יש למשוך את הידית עם הקפיץ.

### **מסנן פחם (רק בגרסת מחזור)**

#### **תפקידו לעצור ריחות לא נעימים מבישול.**

קיים צורך להחליף את המסנן אחרי תקופת שימוש קצרה או ארוכה, בהתאם לסוג המטבח ותדירות בה מתבצע ניקוי של מסנן השומנים. בכל מקרה, יש להחליף את המסנן אחרי לא יותר מ-4 חודשים. אין לשטוף או לחדש את המסנן.

### **החלפת נורות**

הקולט מאובזר במערכת תאורה, שמבוססת על טכנולוגיית LED. טכנולוגיית LED מביחה תאורה אופטימלית, עמידות גבוהה ב- 10 פעמים ממנורות רגילות, והיא מאפשרת חסכון של 90% מאנרגיית החשמל. לצורך החלפה יש לפנות למוקד שירות הטכני.

**gorenje**

BY

**S+ARCK®**